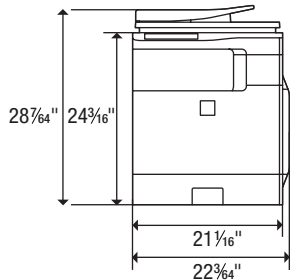
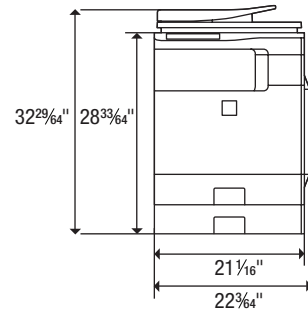


SPACE REQUIREMENTS AND PLANNING

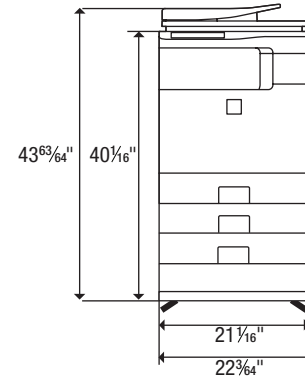
Front Figure



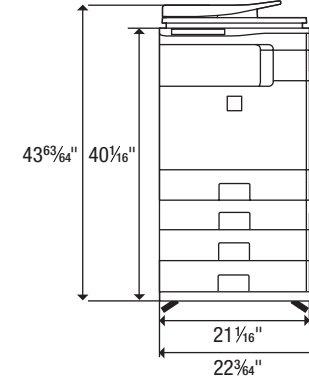
Main Unit + Paper Feed Unit 2



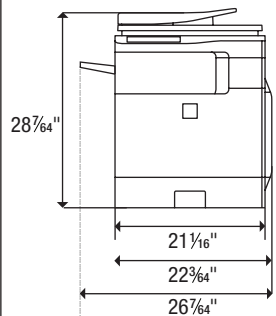
Main Unit + Paper Feed Unit 2 + 3 + Stackable Cabinet + Base Plate



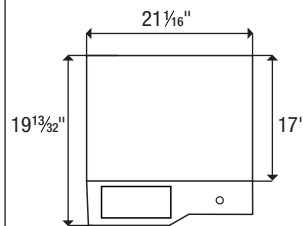
Main Unit + Paper Feed Unit 2 + 3 + 4 + Base Plate



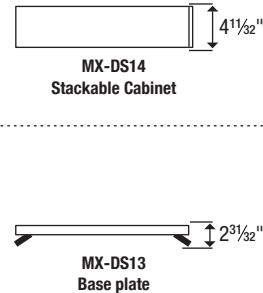
1 Main Unit + Inner Finisher



2 Overhead view



3



Plan ahead to ensure your installation is a great success! Check the latest information on these products and have the following items available prior to installation.

- Verify power dedication and check for power stability. The MX-B402 Document System requires AC 100-127 VAC, 60 HZ, 12 Amps power source.
 - Confirm that you have the latest firmware available to upgrade your MX-B402 Document System immediately.
 - Some accessories require a product key for operation. You should obtain the accessory Application Code, machine's serial number and register online prior to arrival.
 - Verify that the customer has enough supplies on-hand to complete a large rush job. After-hours printing and/or holiday work may take place following an installation.
- MX-B42NT1 Black Toner Cartridge
 MX-B42NV1 Black Developer
 MX-C40NRB Black Drum Cartridge
- Check to see if My Sharp™ online training is set up for the end-user.

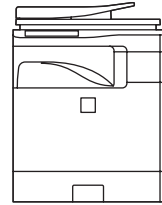


Design and specifications are subject to change without notice. All product dimensions listed are approximate. Sharp, My Sharp and all related trademarks are trademarks or registered trademarks of Sharp Corporation and/or affiliated companies. PCL® is a registered trademark of Hewlett-Packard Company and PostScript® is a registered trademark of Adobe Systems Inc. All other trademarks are the property of their respective owners.

For complete installation procedures please contact your Authorized Sharp servicing dealer.

PRODUCT CONFIGURATION

MX-B402 — Base model includes multi-tasking 800 MHz controller, 80 GB HDD, PCL® 5e/PCL6/Postscript® 3 network printing, network scanning, 50-sheet RSPF, auto-duplex, 500-sheet paper drawers and 100-sheet bypass. Drum included. Toner and developer sold separately.



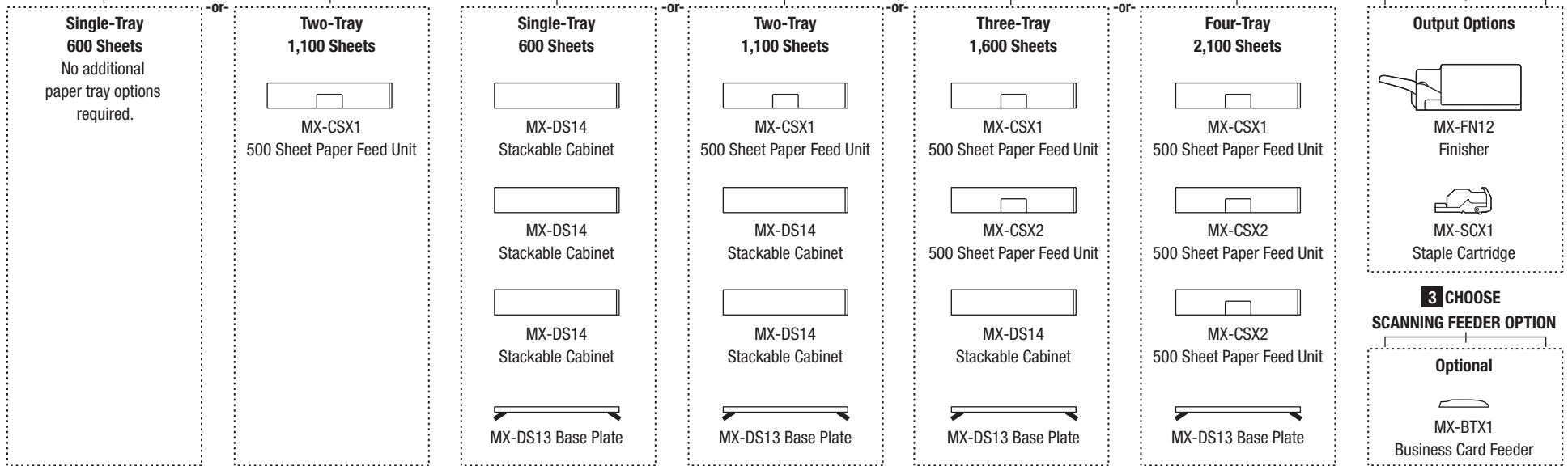
MX-B402
Multifunctional Digital Document System
Single Tray (included)

1 CHOOSE CONFIGURATION TYPE

CABINET-TOP CONFIGURATION

OR

FLOOR STANDING CONSOLE CONFIGURATION



3 CHOOSE SCANNING FEEDER OPTION

Optional

MX-BTX1
Business Card Feeder

4 CHOOSE CONNECTIVITY OPTIONS

