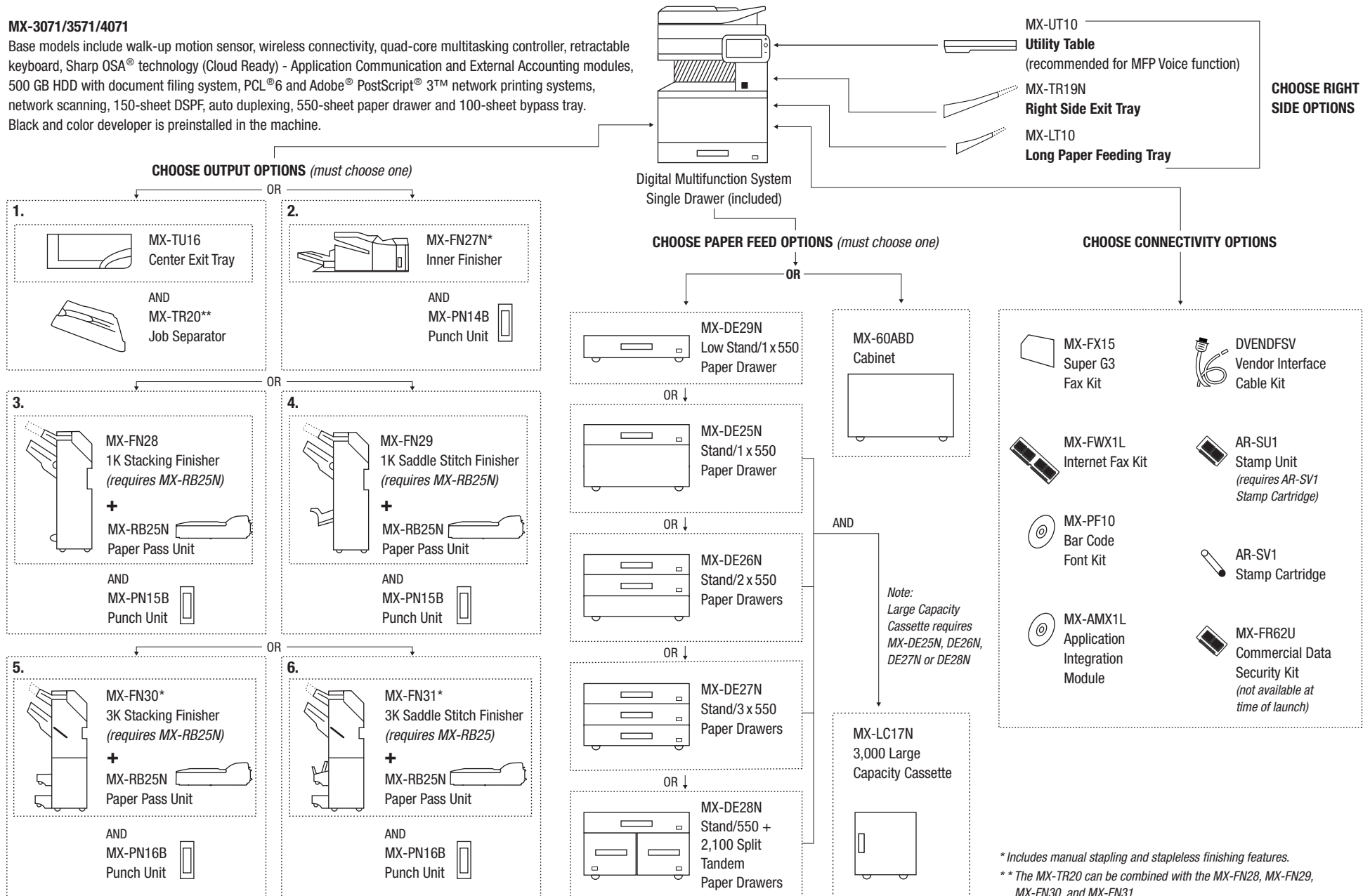


## PRODUCT CONFIGURATION

### MX-3071/3571/4071

Base models include walk-up motion sensor, wireless connectivity, quad-core multitasking controller, retractable keyboard, Sharp OSA® technology (Cloud Ready) - Application Communication and External Accounting modules, 500 GB HDD with document filing system, PCL®6 and Adobe® PostScript® 3™ network printing systems, network scanning, 150-sheet DSPF, auto duplexing, 550-sheet paper drawer and 100-sheet bypass tray. Black and color developer is preinstalled in the machine.

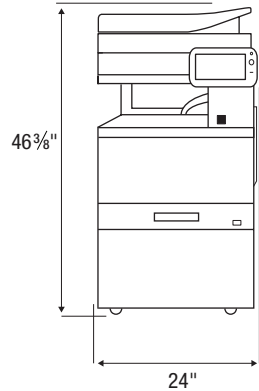


\* Includes manual stapling and stapleless finishing features.

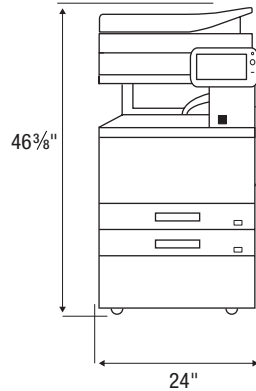
\*\* The MX-TR20 can be combined with the MX-FN28, MX-FN29, MX-FN30, and MX-FN31.

## SPACE REQUIREMENTS AND PLANNING

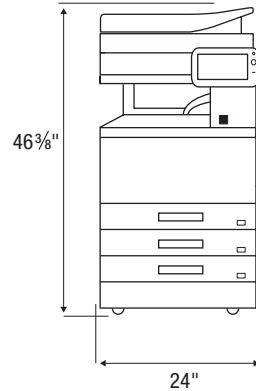
**Main Unit + MX-TU16 + MX-60ABD**  
(standard drawer plus cabinet)  
650-sheet maximum



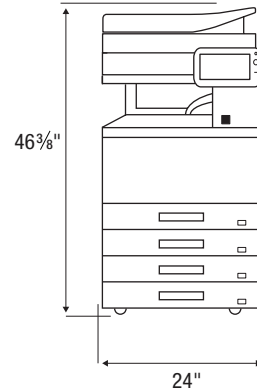
**Main Unit + MX-TU16 + MX-DE25N**  
(1 additional drawer)  
1,200-sheet maximum



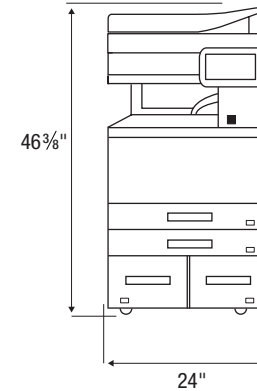
**Main Unit + MX-TU16 + MX-DE26N**  
(2 additional drawers)  
1,750-sheet maximum



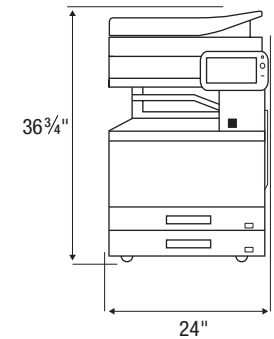
**Main Unit + MX-TU16 + MX-DE27N**  
(3 additional drawers)  
2,300-sheet maximum



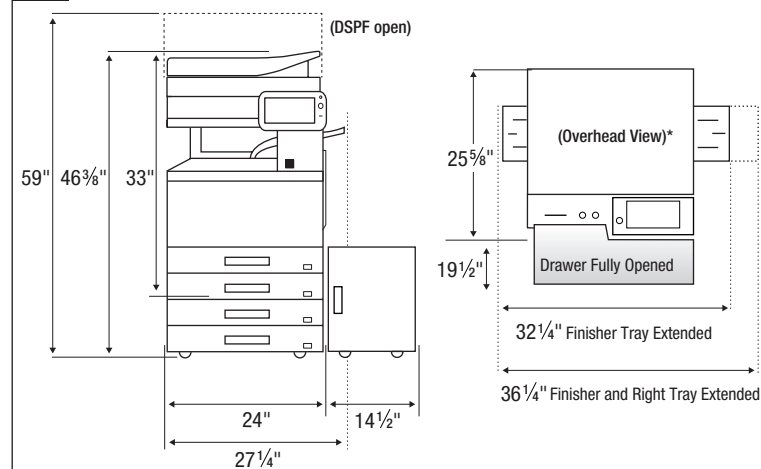
**Main Unit + MX-TU16 + MX-DE28N**  
(1 additional drawer + 2 split tandem drawers)  
3,300-sheet maximum



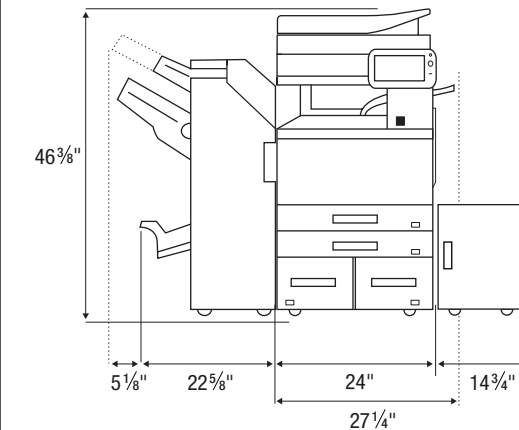
**Main Unit + MX-TU16 + MX-DE29N**  
(1 additional drawer –  
for wheelchair access)  
1,200-sheet maximum



**1 Main Unit + MX-TU16 + MX-DE27N + MX-LC17N (5,300-sheet maximum)**



**2 Main Unit + MX-RB25N + MX-FN29 + MX-DE28N + MX-LC17N (6,300-sheet maximum)**



\*Other finishers include the MX-FN28, MX-FN30 and MX-FN31.

### Plan ahead to ensure your installation is a great success!

- 1. Firmware:** Check the Sharp-PC Service site to make sure the machine and accessories have the latest firmware prior to installation at the customer site.
- 2. Power Source:** Verify the power source at the customer site: Requires 110-127 V AC @ 60 HZ with a 15 A receptacle outlet and circuit breaker.
- 3. Product Keys:** Obtain application codes for any accessories that may require a product key prior to arrival at the customer site.
- 4. Supplies:** Verify that the customer has enough supplies on hand.

<b>MX-61NTBA</b> Black Toner	<b>MX-61NVBA</b> Black Developer
<b>MX-61NTCA</b> Cyan Toner	<b>MX-61NVSA</b> Color Developer
<b>MX-61NTMA</b> Magenta Toner	<b>MX-40NRS</b> Drum
<b>MX-61NTYA</b> Yellow Toner	<b>MX-601HB</b> Toner Collection Container



Check to see if My Sharp™ online training is set up for the end-user.

Design and specifications are subject to change without notice. All product dimensions listed are approximate.