

KONICA MINOLTA

PARTS GUIDE MANUAL

JUNE 2017

SD-511
A3ER

INFORMATION FOR PARTS GUIDE MANUAL

To find correct Parts No., refer to the "HOW TO MAKE THE BEST USE OF THIS MANUAL" in the following page.

HOW TO MAKE THE BEST USE OF THIS MANUAL

- 1 When you order, please check the proper figures beforehand that are on Our Parts Guide Manual, and order with the appropriate figures.
- 2 For screws, Nuts, Washers, retaining rings and Pins which are used in this model, one letter is shown on the Standard parts column of Parts list and exploded diagrams.
- 3 In order to maintain safety of the product, some specific parts composed of this product are set up as "essential safety parts".
- 4 The assigned parts number for the "essential safety parts" is indicated as "SP00-****".
When replacing these parts, follow precautions for disassembling and installing which are listed in the Service Manual.
Do not use any parts that are not set up as
- 5 ♣ means that there are exclusive parts for each destination.
Please check the appropriate destination when you order.
- 6 Revision Mark
Marked as ▲ on the illustration shows that the revision has been made.
- 7 All rights reserved. (any reprints or quotations are prohibited.)
Use of this parts guide manual should be strictly supervised to avoid disclosure of confidential information.

パーツガイドマニュアルのご案内

サービス部品をご発注の際には、下記に示す“パーツガイドマニュアルの活用にあたって”をご参照の上、正しい部品番号にてお願い致します。

パーツガイドマニュアルの活用にあたって

- 1 部品発注の際には、掲載されている部品番号の桁数を確認し、掲載されている桁数で発注願います。
- 2 この製品に使用されているネジ、ナット、ワッシャー、止め輪、ピンなどは、リストの右側の Standard parts 欄に a,b,c,…… で表示し、イラストにも a,b,c,…… 表示してあります。
- 3 製品の安全性を維持する為に、製品に使用される特定の部品を「重要保安部品」として設定しています。
- 4 重要保安部品の部品番号は、“SP00-****”と記載されていますので、部品交換時は、サービスマニュアル記載の分解・組み立ての注意事項に従って作業をして下さい。
また、指定以外の部品は一切使用しないで下さい。
- 5 本文に ♣ が表示されている部品は、仕向け地毎に専用部品がある事を意味しています。
オーダーされる時は、仕向け地を確認して下さい。
- 6 改訂記号について
イラスト上に ▲ 印が表示されている部分は、改訂された事を表します。
- 7 著作権所有（無断転載及び無断引用の禁止）
本パーツガイドマニュアルについては、機密保持等その扱いには十分注意して下さい。万一取り扱いを誤った場合には、法律で処罰されることがあります。

CONTENTS

No.	DESCRIPTION	名称	PAGE No.
1	EXTERNAL PARTS	外装部	P1
2	FRAME SECTION	フレーム部	P2
3	REAR FRAME SECTION	後フレーム部	P3
4	PAPER CEASE SECTION	紙折り部	P4 P5 P6
5	PAPER TRANSPORT SECTION	搬送部	P7
6	STAPLER SECTION	ステープラ部	P8
7	ALIGNMENT SECTION	整合部	P9 P10
8	PAPER EXIT TRAY SECTION	排紙トレイ部	P11
9	WIRING	束線	P12 P13
10	WIRING ACCESSORIES AND JIGS	配線部品・治具	P14
11	ACCESSORY PARTS	同梱部品	P15

INDEX

Parts No.	Page No.
1033440203	15-5
4030104002	6-10
4030104002	15-6
4425337201	6-10
A02E193400	6-7
A092145400	9-19
A0EDM50100	6-21
A0EDM50100	9-11
A108M50100	4-11
A108M50100	5-18
A108M50100	7-6
A108M50100	9-12
A108M50100	10-23
A108M50100	11-18
A10D427300	11-11
A10DM20000	10-13
A10DP00100	8-9
A1RF529300	5-13
A3EPPP1101	4-13
A3EPPP1101	5-19
A3EPPP1101	7-1
A3EPPP1101	9-3
A3EPPP1201	4-19
A3EPPP1201	5-12
A3EPPP1201	6-18
A3EPPP1300	7-10
A3EPPP1400	6-13
A3EPPP2600	11-4
A3EPPP2700	11-5
A3EPPP3702	7-3
A3EPPPA802	11-7
A3EPPPAQ01	7-12
A3EPPPAR01	6-14
A3EPPPAS01	4-18
A3EPPPAS01	5-6
A3EPPPBS00	11-6
A3EPPPC01	11-21
A3EPPPC01	15-7
A3EPPPCLO1	15-4
A3ER929300	8-6

Parts No.	Page No.
A3ERPP1001	9-2
A3ERPP1101	6-25
A3ERPP1201	2-7
A3ERPP1301	2-4
A3ERPP1403	2-3
A3ERPP1501	15-1
A3ERPP1600	3-9
A3ERPP1702	3-7
A3ERPP1802	2-8
A3ERPP1903	3-12
A3ERPP1A01	3-8
A3ERPP1B02	3-3
A3ERPP1C03	2-6
A3ERPP1D02	3-6
A3ERPP1E03	1-1
A3ERPP1F02	2-1
A3ERPP1G02	1-2
A3ERPP1H01	4-24
A3ERPP1J02	2-5
A3ERPP1K00	3-4
A3ERPP1L00	3-10
A3ERPP1M00	1-4
A3ERPP1P00	1-3
A3ERPP1Q00	15-3
A3ERPP1R01	3-1
A3ERPP1S02	3-5
A3ERPP1T00	2-9
A3ERPP1U02	7-30
A3ERPP1V02	7-26
A3ERPP1X01	7-18
A3ERPP1Y01	10-27
A3ERPP2001	7-27
A3ERPP2101	7-8
A3ERPP2201	7-28
A3ERPP2302	7-9
A3ERPP2401	7-13
A3ERPP2503	10-32
A3ERPP2602	10-29
A3ERPP2700	7-21
A3ERPP2800	7-23

Parts No.	Page No.
A3ERPP2901	7-15
A3ERPP2A00	7-4
A3ERPP2B00	7-7
A3ERPP2C00	7-24
A3ERPP2C00	10-31
A3ERPP2D01	7-29
A3ERPP2E01	7-16
A3ERPP2E01	9-15
A3ERPP2F00	7-19
A3ERPP2G00	7-17
A3ERPP2H02	10-30
A3ERPP2J02	7-2
A3ERPP2K01	10-28
A3ERPP2L00	7-25
A3ERPP2L00	10-33
A3ERPP2M02	10-26
A3ERPP2N01	7-5
A3ERPP2P01	7-11
A3ERPP2Q01	10-21
A3ERPP2R00	9-18
A3ERPP2R00	10-17
A3ERPP2S04	10-24
A3ERPP2T01	9-20
A3ERPP2U00	10-15
A3ERPP2V00	10-14
A3ERPP2X00	10-22
A3ERPP2Y00	10-19
A3ERPP3000	10-10
A3ERPP3101	10-5
A3ERPP3201	10-6
A3ERPP3302	10-3
A3ERPP3402	10-9
A3ERPP3500	10-16
A3ERPP3601	10-4
A3ERPP3701	10-11
A3ERPP3801	9-23
A3ERPP3902	9-14
A3ERPP3903	9-14
A3ERPP3A04	9-13
A3ERPP3B04	9-8

Parts No.	Page No.
A3ERPP3C03	9-9
A3ERPP3D01	9-10
A3ERPP3E00	9-7
A3ERPP3F01	10-12
A3ERPP3G01	10-2
A3ERPP3H00	10-18
A3ERPP3J00	9-16
A3ERPP3K01	9-17
A3ERPP3L01	10-8
A3ERPP3M00	9-21
A3ERPP3N00	5-20
A3ERPP3N00	7-20
A3ERPP3N00	9-5
A3ERPP3N00	10-25
A3ERPP3P01	10-7
A3ERPP3Q01	8-1
A3ERPP3R02	8-2
A3ERPP3S01	8-7
A3ERPP3T01	8-5
A3ERPP3U02	8-4
A3ERPP3V01	8-3
A3ERPP3X02	4-10
A3ERPP3Y02	4-20
A3ERPP4002	4-23
A3ERPP4102	4-22
A3ERPP4201	4-15
A3ERPP4301	4-9
A3ERPP4401	5-11
A3ERPP4501	5-33
A3ERPP4601	5-32
A3ERPP4701	4-3
A3ERPP4802	5-3
A3ERPP4900	4-12
A3ERPP4A01	4-17
A3ERPP4B01	4-4
A3ERPP4C00	5-30
A3ERPP4D00	5-31
A3ERPP4E00	4-5
A3ERPP4F02	4-6
A3ERPP4G02	5-5


Parts No.	Page No.
A3ERPP4H00	5-9
A3ERPP4J00	4-21
A3ERPP4K00	4-16
A3ERPP4L00	5-8
A3ERPP4M03	5-10
A3ERPP4N02	5-2
A3ERPP4P00	2-2
A3ERPP4P00	11-23
A3ERPP4Q01	5-1
A3ERPP4R01	5-4
A3ERPP4S00	4-1
A3ERPP4S01	4-1
A3ERPP4T01	4-8
A3ERPP4U03	4-7
A3ERPP4V01	4-14
A3ERPP4X02	6-4
A3ERPP4Y02	5-25
A3ERPP5002	6-30
A3ERPP5101	5-16
A3ERPP5202	5-21
A3ERPP5302	6-27
A3ERPP5403	6-6
A3ERPP5405	6-6
A3ERPP5500	6-2
A3ERPP5602	6-32
A3ERPP5701	5-14
A3ERPP5801	5-15
A3ERPP5900	6-11
A3ERPP5A00	6-1
A3ERPP5B02	6-20
A3ERPP5C00	6-15
A3ERPP5D01	6-16
A3ERPP5D02	6-16
A3ERPP5E00	5-7
A3ERPP5F01	6-23
A3ERPP5G02	6-24
A3ERPP5H00	6-12
A3ERPP5J01	5-28
A3ERPP5K02	6-31
A3ERPP5L02	6-28

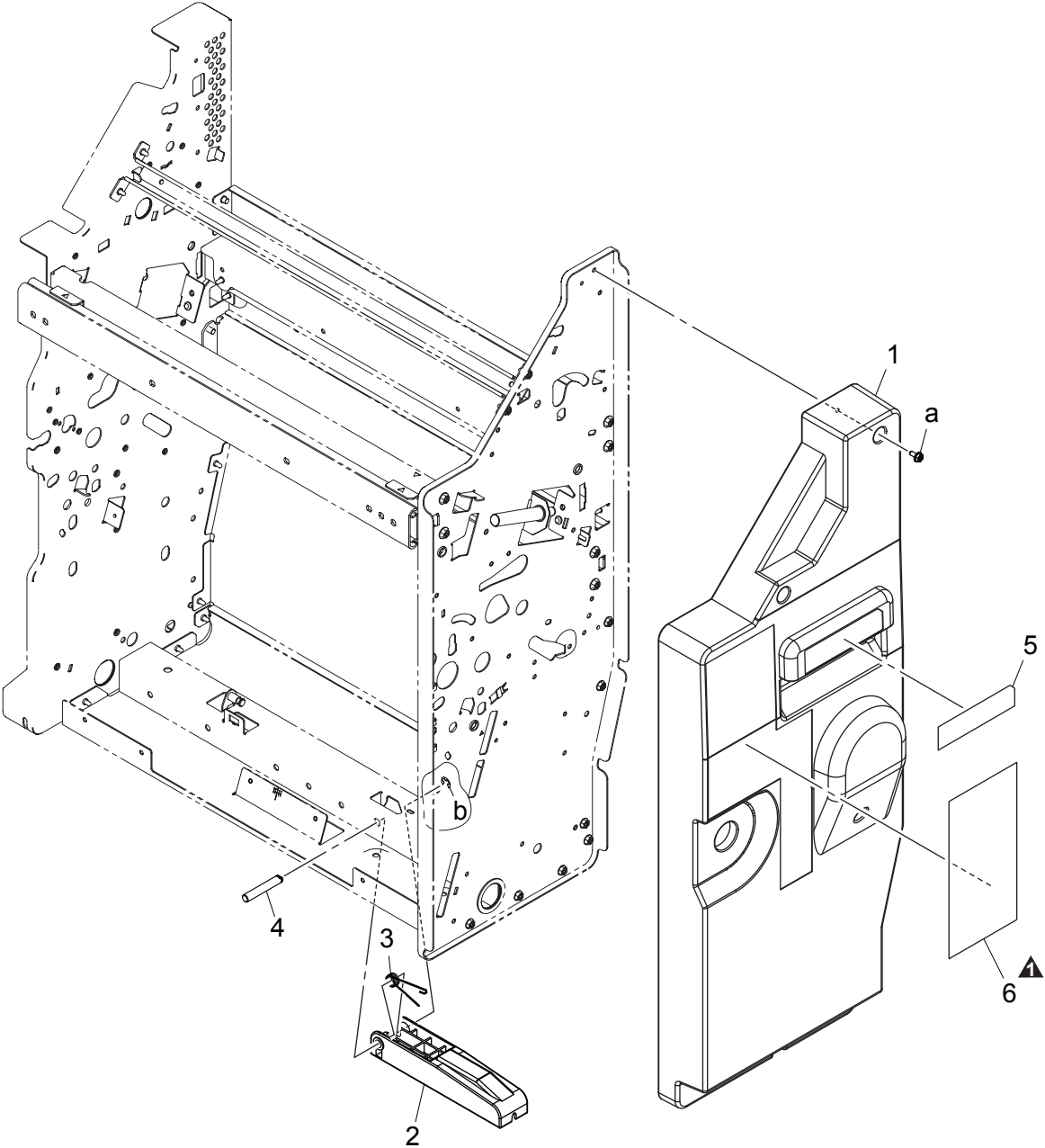
Parts No.	Page No.
A3ERPP5L03	6-28
A3ERPP5M01	5-26
A3ERPP5M01	6-9
A3ERPP5N00	5-23
A3ERPP5P00	5-22
A3ERPP5Q00	5-24
A3ERPP5R00	5-17
A3ERPP5S00	5-29
A3ERPP5T00	9-1
A3ERPP5U00	9-4
A3ERPP5V00	9-6
A3ERPP5X00	6-33
A3ERPP5Y01	6-29
A3ERPP6001	6-41
A3ERPP6101	6-17
A3ERPP6201	6-22
A3ERPP6301	6-19
A3ERPP6401	6-3
A3ERPP6501	6-5
A3ERPP6602	11-17
A3ERPP6703	11-2
A3ERPP6801	11-1
A3ERPP6902	11-14
A3ERPP6A01	11-12
A3ERPP6B01	11-15
A3ERPP6C01	11-16
A3ERPP6D04	11-8
A3ERPP6E01	11-10
A3ERPP6F01	11-13
A3ERPP6G01	11-3
A3ERPP6H01	11-9
A3ERPP6J03	3-2
A3ERPP6P03	1-6
A3ERPP6Q00	1-5
A3ERPP6R00	7-31
A3ERPP6S00	6-34
A3ERPP6T00	10-34
A3ERPP6U00	6-35
A3ERPP6V01	7-22
A3ERPP6X01	7-14

Parts No.	Page No.
A3ERPP6Y04	9-24
A3ERPP7001	10-20
A3ERPP7102	6-40
A3ERPP7201	6-38
A3ERPP7302	6-39
A3ERPP7401	6-37
A3ERPP7501	11-20
A3ERPP7601	12-2
A3ERPP7701	7-34
A3ERPP7801	7-32
A3ERPP7901	8-8
A3ERPP7A01	13-2
A3ERPP7B01	13-1
A3ERPP7C01	7-35
A3ERPP7D02	7-33
A3ERPP7E01	12-1
A3ERPP7F01	10-36
A3ERPP7H00	6-36
A3ERPP7J01	11-19
A3ERPP7K00	5-27
A3ERPP7K00	6-8
A3ERPP7M01	3-11
A3ERPP7M01	6-26
A3ERPP7N01	10-1
A3ERPP7Q00	4-2
A3ERPP7S02	4-25
A3ERPP7U00	10-35
A3ERPP7V00	8-11
A3ERPP7W01	8-10
A3ERPP7X01	8-12
A3ERPP7Y00	9-22
A3ERPP7Z00	9-25
A3ERPP8000	11-22
A3ERPP8100	15-2
A3ERPP8300	5-34
V500010082	14-1
V500020098	14-2
V500020099	14-3
V501010001	14-4
V570010021	14-5

Parts No.	Page No.
V570010026	14-6

EXTERNAL PARTS

改訂版 REVISED EDITION	日付 DATE
	OCTOBER 2013

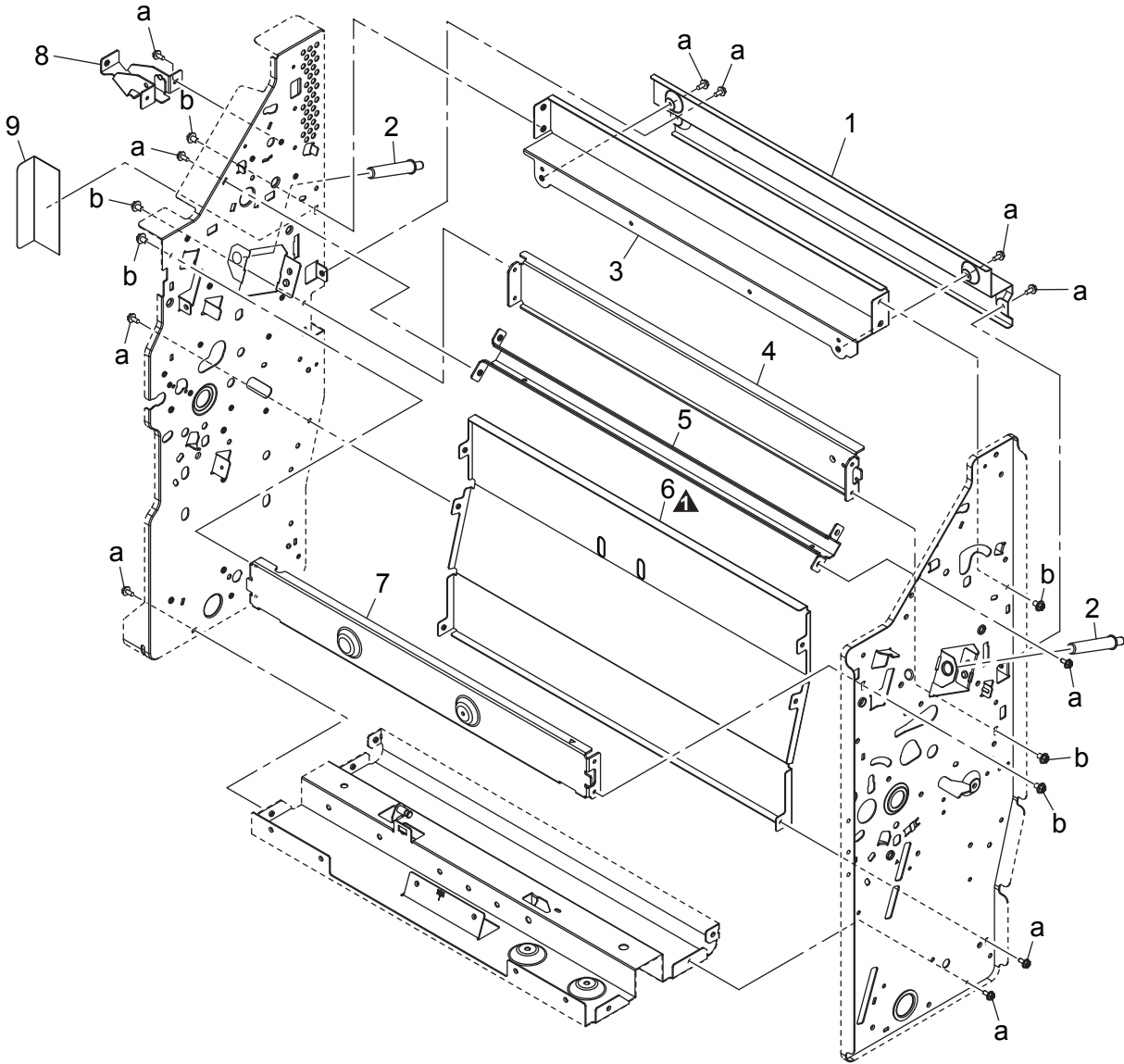


EXTERNAL PARTS

Key	Part No.	Description	Destinations	Class	QTY	Standard parts
1	A3ERPP1E03	Cover/Front		C	1	a-A3EPPPB801 b-V217040001
2	A3ERPP1G02	Lever		C	1	
3	A3ERPP1P00	Torsion Spring		C	1	
4	A3ERPP1M00	Shaft		D	1	
5	A3ERPP6Q00	Label		D	1	
6	A3ERPP6P03	Label		D	1	

FRAME SECTION

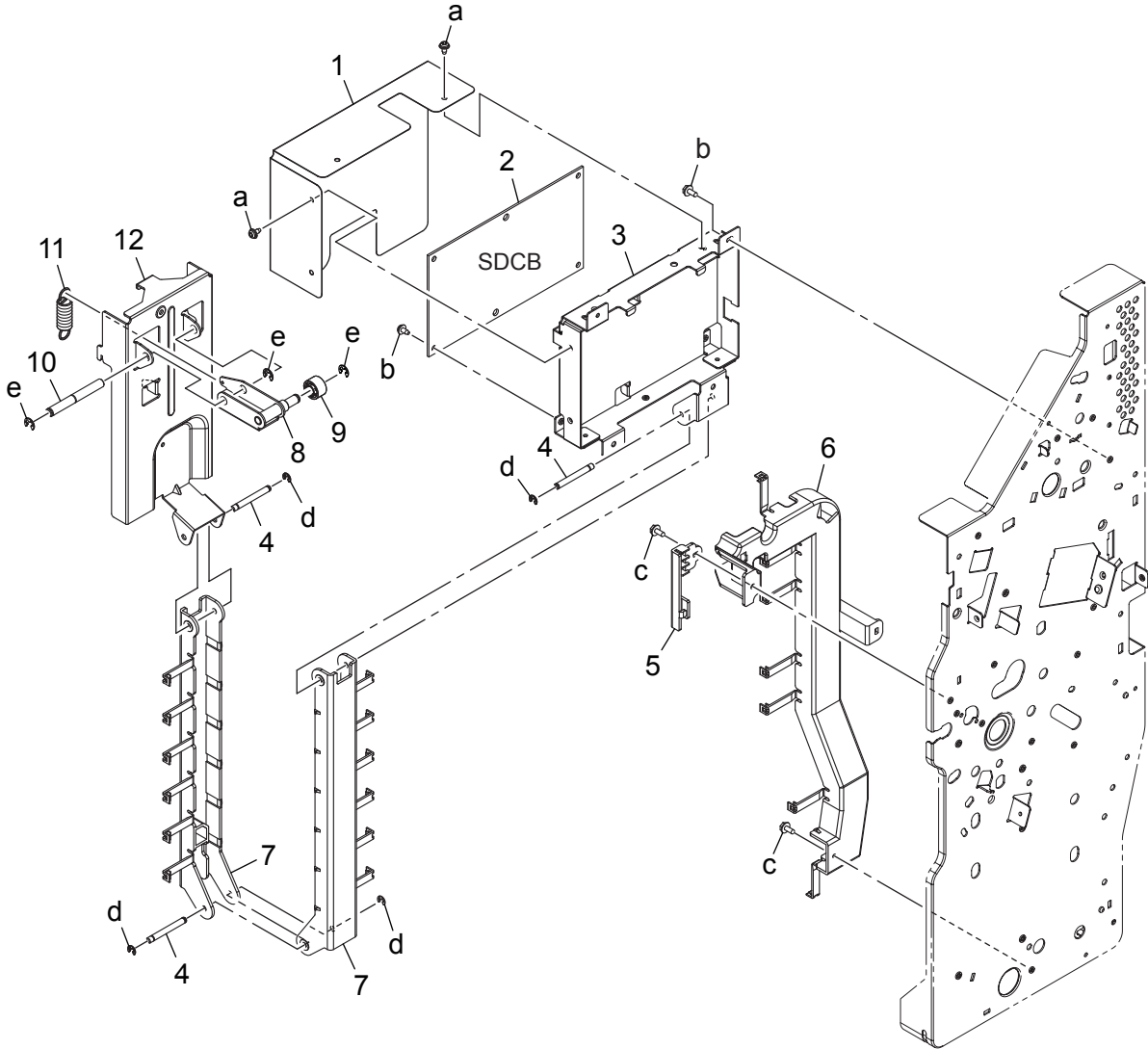
改訂版 REVISED EDITION	日付 DATE
▲	FEBRUARY 2013



FRAME SECTION

Key	Part No.	Description	Destinations	Class	QTY	Standard parts
1	A3ERPP1F02	Mounting Plate		D	1	a-V144030603 b-A3EPPPBQ01
2	A3ERPP4P00	Shaft		D	2	
3	A3ERPP1403	Stay		D	1	
4	A3ERPP1301	Stay		D	1	
5	A3ERPP1J02	Stay		D	1	
6	A3ERPP1C03	Cover		D	1	
7	A3ERPP1201	Stay		D	1	
8	A3ERPP1802	Mounting Plate		D	1	
9	A3ERPP1T00	Sheet		D	1	

REAR FRAME SECTION

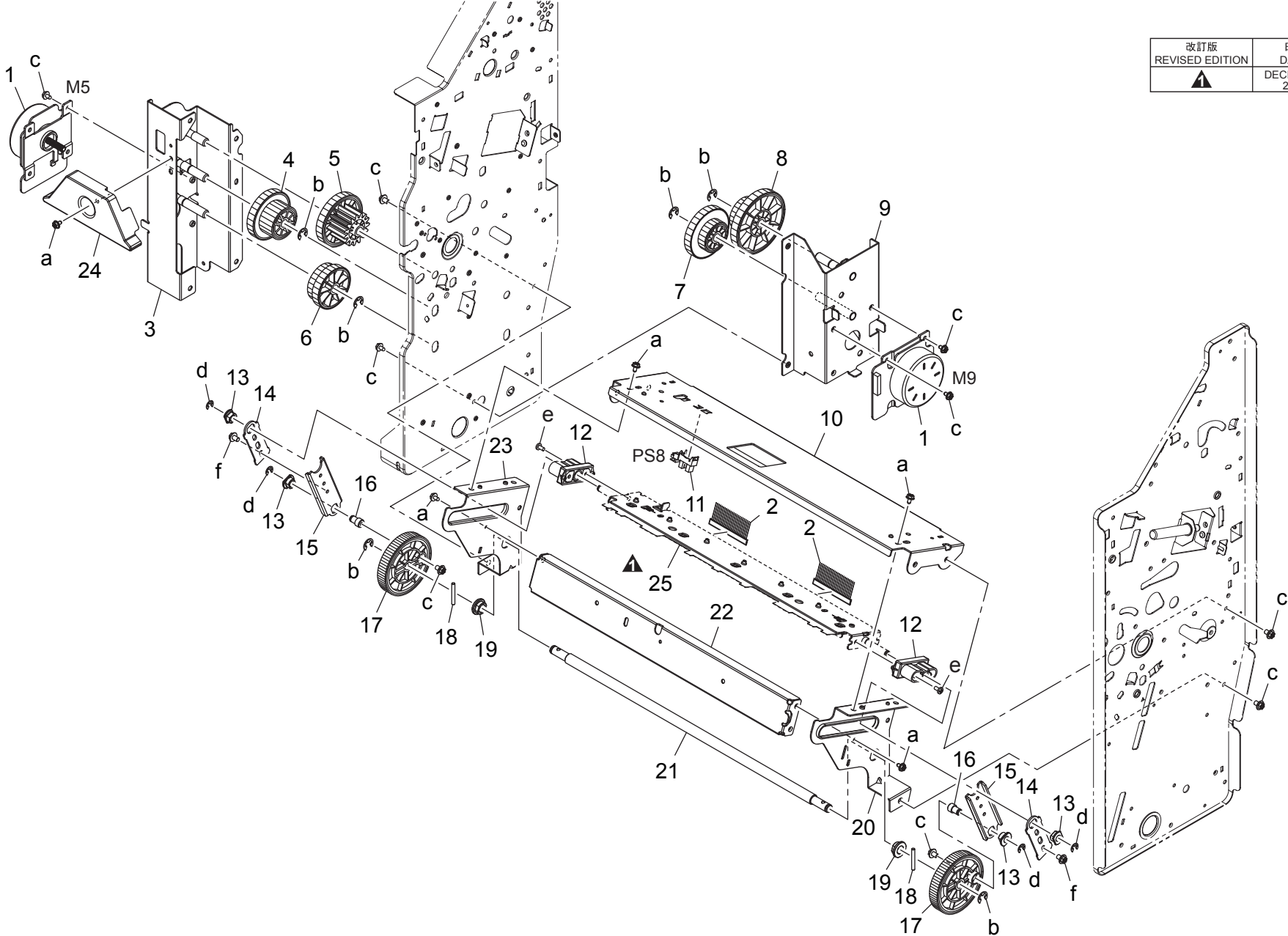


REAR FRAME SECTION

Key	Part No.	Description		Destinations	Class	QTY	Standard parts
1	A3ERPP1R01	Sheet	シート		C	1	a-A3EPPPB101 b-V144030603 c-A3EPPPB701 d-V217030001 e-V217040001
2	A3ERPP6J03	PWB	プリント基板		I	1	
3	A3ERPP1B02	Mounting Plate	取付板		D	1	
4	A3ERPP1K00	Shaft	軸		D	3	
5	A3ERPP1S02	Cover	カバー		D	1	
6	A3ERPP1D02	Guide	ガイド		D	1	
7	A3ERPP1702	Guide	ガイド		D	2	
8	A3ERPP1A01	Lock Lever	ロックレバー		D	1	
9	A3ERPP1600	Roll	ころ		C	1	
10	A3ERPP1L00	Shaft	軸		D	1	
11	A3ERPP7M01	Tension Spring	引張コイルばね		C	1	
12	A3ERPP1903	Mounting Plate	取付板		D	1	


PAPER CEASE SECTION

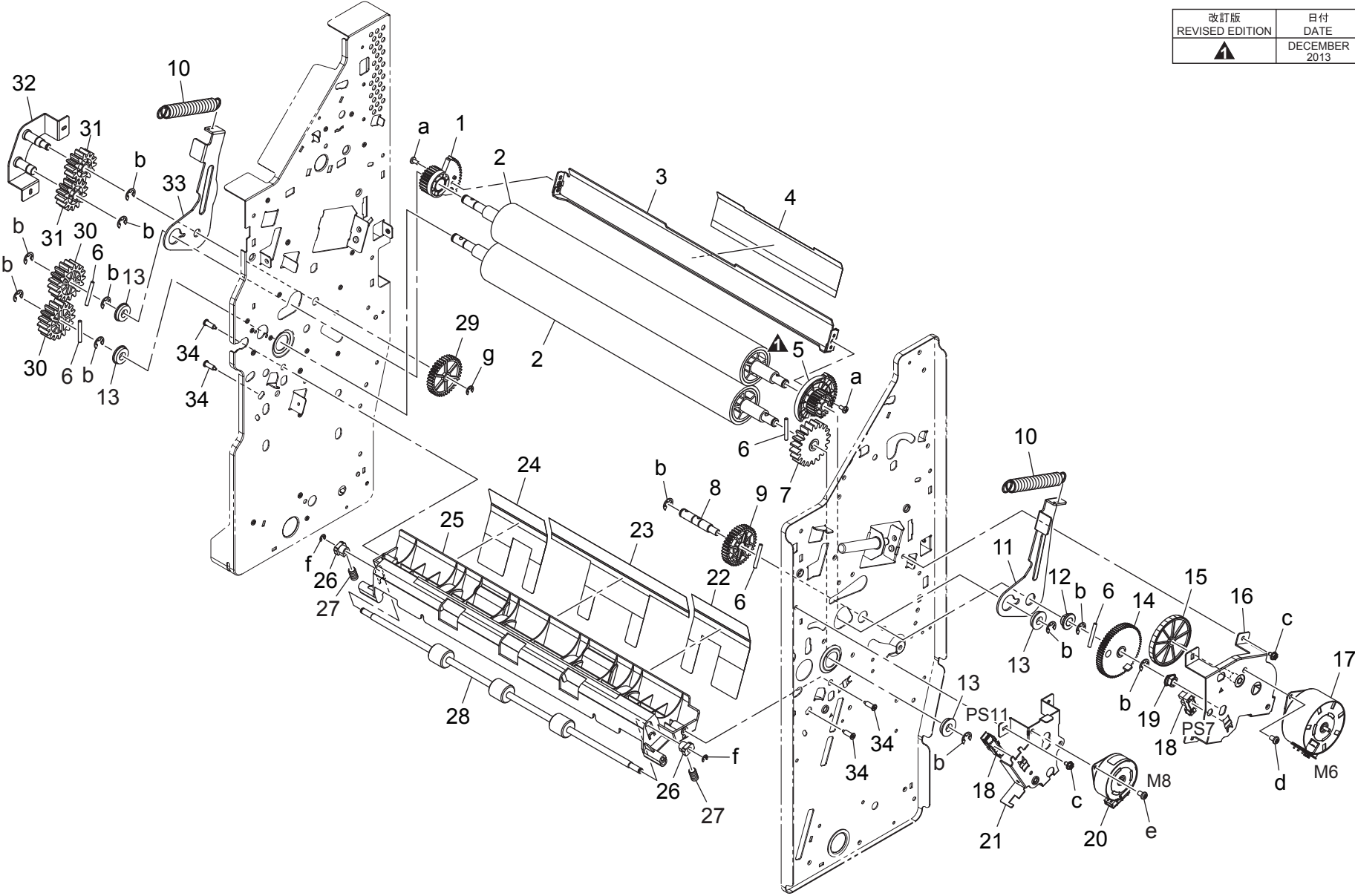
改訂版 REVISED EDITION	日付 DATE
▲	DECEMBER 2013



Key	Part No.	Description	Destinations	Class	QTY	Standard parts
1	A3ERPP4S00Old	Motor		C	2	a-V144030603 b-V217060001 c-A3EPPPBQ01 d-V217040001 e-A3EPPPB001 f-A3ERPP7T00
1	A3ERPP4S01	Motor		C	2	
2	A3ERPP7Q00	Neutralizing Brush		C	2	
3	A3ERPP4701	Mounting Plate		D	1	
4	A3ERPP4B01	Gear 24/46T		C	1	
5	A3ERPP4E00	Gear 15/40T		C	1	
6	A3ERPP4F02	Gear 34/80T		C	1	
7	A3ERPP4U03	Gear 28/96T		C	1	
8	A3ERPP4T01	Gear 24/60T		C	1	
9	A3ERPP4301	Mounting Plate		D	1	
10	A3ERPP3X02	Mounting Plate		D	1	
11	A108M50100	Photointerrupter		B	1	
12	A3ERPP4900	Holder		D	2	
13	A3EPPP1101	Bushing		D	4	
14	A3ERPP4V01	Plate		D	2	
15	A3ERPP4201	Slide Plate		D	2	
16	A3ERPP4K00	Shaft		D	2	
17	A3ERPP4A01	Gear 46T		C	2	
18	A3EPPPAS01	Pin		D	2	
19	A3EPPP1201	Bushing		D	2	
20	A3ERPP3Y02	Mounting Plate		D	1	
21	A3ERPP4J00	Shaft		D	1	
22	A3ERPP4102	Stay		D	1	
23	A3ERPP4002	Mounting Plate		D	1	
24	A3ERPP1H01	Cover		D	1	
25	A3ERPP7S02	Stay Assy		D	1	

PAPER CEASE SECTION

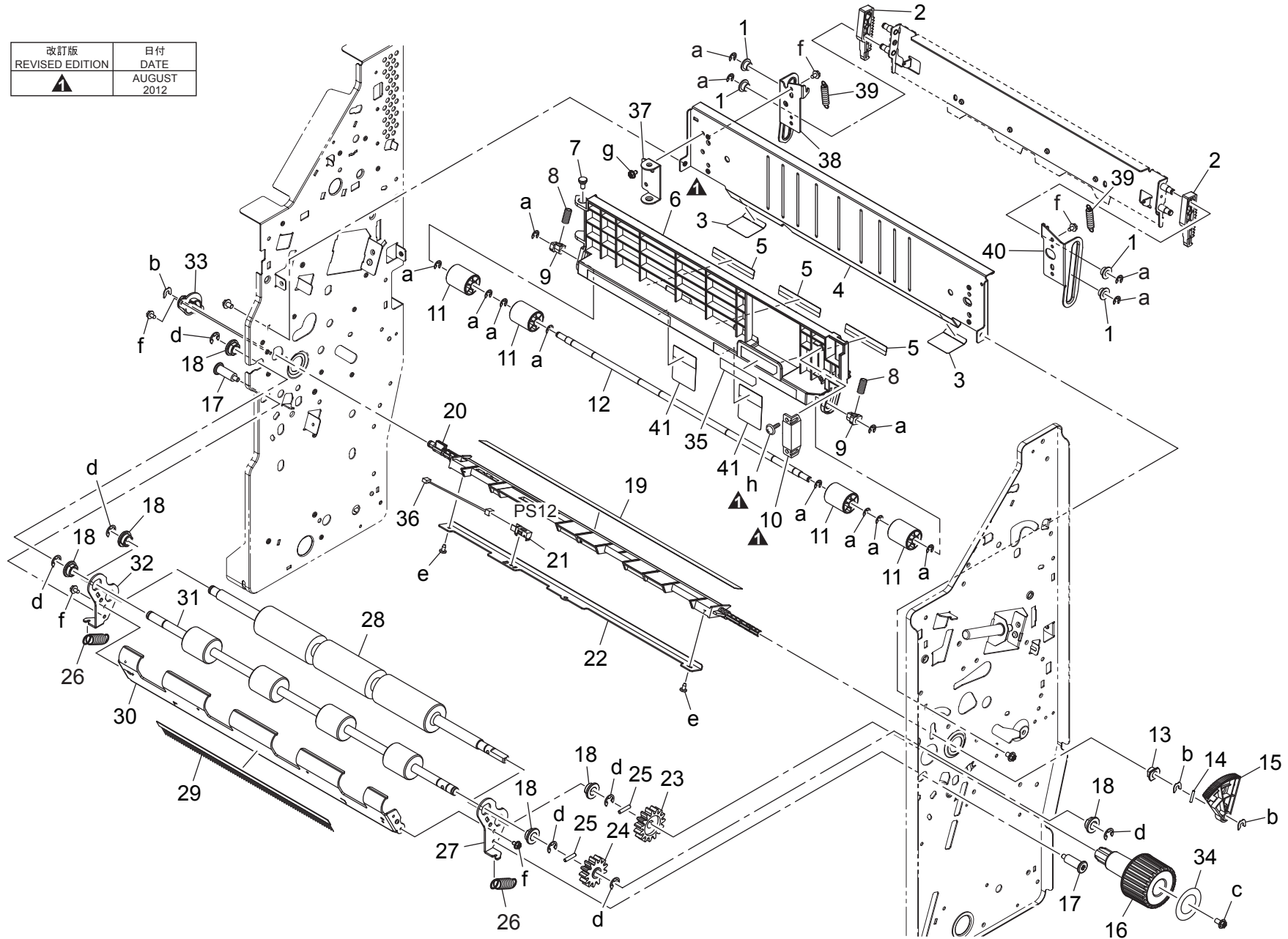
改訂版 REVISED EDITION	日付 DATE
	DECEMBER 2013



Key	Part No.	Description	Destinations	Class	QTY	Standard parts
1	A3ERPP4Q01	Gear		C	1	a-A3EPPPB001 b-V217060001 c-V144030603 d-A3ERPP6K02 e-A3EPPPAY01 f-V217030001 g-V217040001
2	A3ERPP4N02	Roller		C	2	
3	A3ERPP4802	Guide Plate		D	1	
4	A3ERPP4R01	Plate		D	1	
5	A3ERPP4G02	Gear		C	1	
6	A3EPPAS01	Pin		D	5	
7	A3ERPP5E00	Gear 20T		C	1	
8	A3ERPP4L00	Shaft		D	1	
9	A3ERPP4H00	Gear 38T		C	1	
10	A3ERPP4M03	Tension Spring		C	2	
11	A3ERPP4401	Arm		D	1	
12	A3EPPP1201	Bushing		D	1	
13	A1RF529300	Ball bearing		C	4	
14	A3ERPP5701	Gear 46T		C	1	
15	A3ERPP5801	Gear 15/93T		C	1	
16	A3ERPP5101	Mounting Plate		D	1	
17	A3ERPP5R00	Motor		C	1	
18	A108M50100	Photointerrupter		B	2	
19	A3EPPP1101	Bushing		D	1	
20	A3ERPP3N00	Motor		C	1	
21	A3ERPP5202	Mounting Plate		D	1	
22	A3ERPP5P00	Seal		C	1	
23	A3ERPP5N00	Seal		C	1	
24	A3ERPP5Q00	Seal		C	1	
25	A3ERPP4Y02	Guide		D	1	
26	A3ERPP5M01	Bushing		D	2	
27	A3ERPP7K00	Pressing Spring		C	2	
28	A3ERPP5J01	Roller		C	1	
29	A3ERPP5S00	Gear 38T		C	1	
30	A3ERPP4C00	Gear 17T		C	2	
31	A3ERPP4D00	Gear 14T		C	2	
32	A3ERPP4601	Mounting Plate		D	1	
33	A3ERPP4501	Arm		D	1	
34	A3ERPP8300	Screw		D	4	

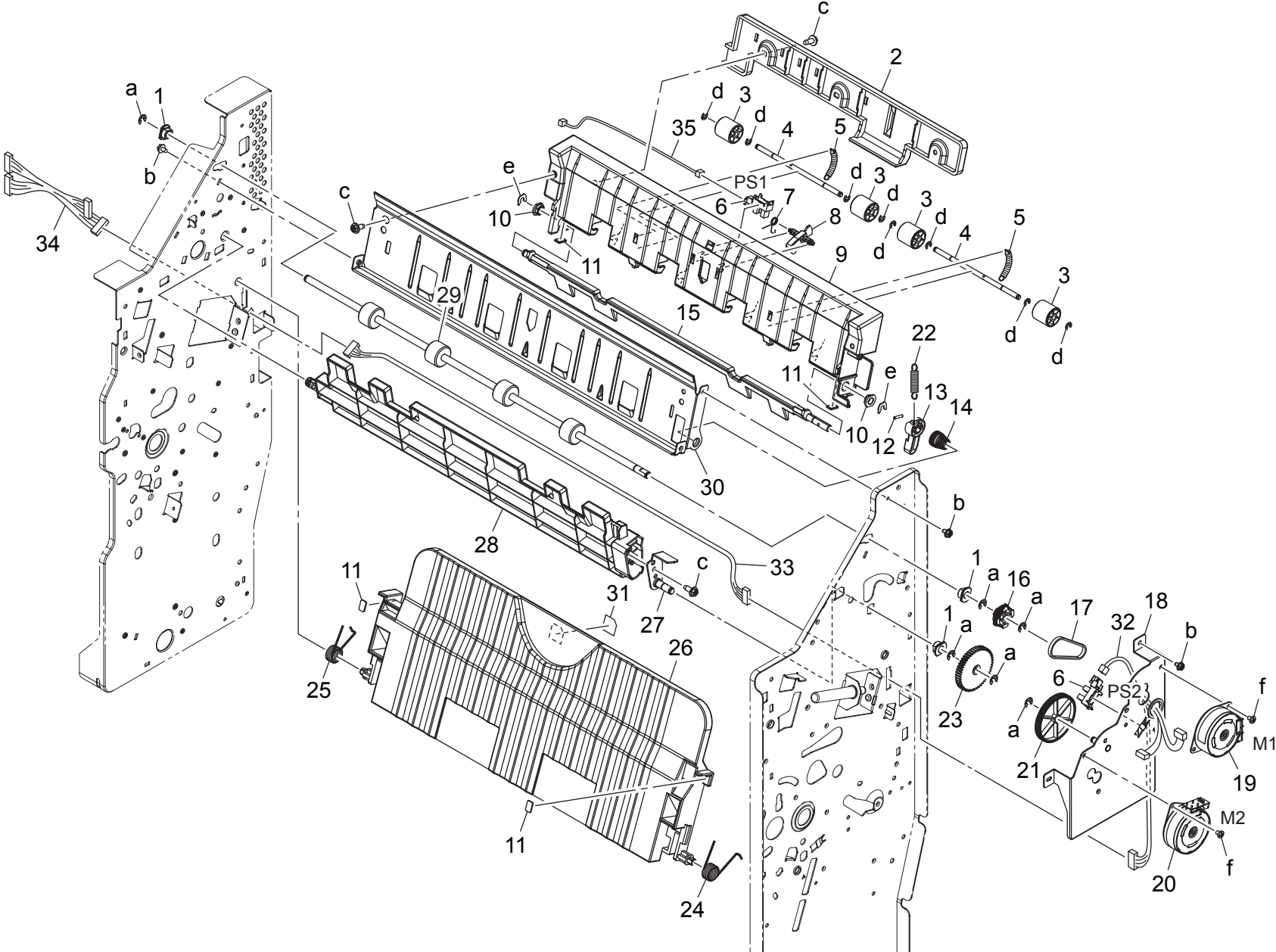
PAPER CEASE SECTION

改訂版 REVISED EDITION	日付 DATE
▲	AUGUST 2012



Key	Part No.	Description	Destinations	Class	QTY	Standard parts
1	A3ERPP5A00	Bushing		D	4	a-V217040001 b-V218040086 c-A3EPPPCJ01 d-V217060001 e-A3ERPP6L01 f-V144030603 g-V118031003 h-A3EPPPB01
2	A3ERPP5500	Gear		C	2	
3	A3ERPP6401	Seal		C	2	
4	A3ERPP4X02	Guide Plate		D	1	
5	A3ERPP6501	Seal		C	3	
6	A3ERPP5403Old	Guide		D	1	
6	A3ERPP5405	Guide		D	1	
7	A02E193400	Shoulder screw		C	1	
8	A3ERPP7K00	Pressing Spring		C	2	
9	A3ERPP5M01	Bushing		D	2	
10	4030104002Old	CATCH		D	1	
10	4425337201	MAGNET CATCH		D	1	
11	A3ERPP5900	Roll		C	4	
12	A3ERPP5H00	Shaft		D	1	
13	A3ERPP1400	Bushing		D	1	
14	A3EPPPAR01	Pin		D	1	
15	A3ERPP5C00	Gear		C	1	
16	A3ERPP5D01Old	Knob		C	1	
16	A3ERPP5D02	Knob		C	1	
17	A3ERPP6101	Shoulder Screw		D	2	
18	A3EPPP1201	Bushing		D	6	
19	A3ERPP6301	Seal		C	1	
20	A3ERPP5B02	Guide Plate		D	1	
21	A0EDM50100	Photoreflector		I	1	
22	A3ERPP6201	Auxiliary Plate		D	1	
23	A3ERPP5F01	Gear 15T		C	1	
24	A3ERPP5G02	Gear 13T		C	1	
25	A3ERPP1101	Pin		D	2	
26	A3ERPP7M01	Tension Spring		C	2	
27	A3ERPP5302	Mounting Plate		D	1	
28	A3ERPP5L02Old	Roller		C	1	
28	A3ERPP5L03	Roller		C	1	
29	A3ERPP5Y01	Neutralizing Brush		D	1	
30	A3ERPP5002	Guide Plate		D	1	
31	A3ERPP5K02	Roller		C	1	
32	A3ERPP5602	Mounting Plate		D	1	
33	A3ERPP5X00	Bushing		D	1	
34	A3ERPP6S00	Label		D	1	
35	A3ERPP6U00	Label		D	1	
36	A3ERPP7H00	Wire Harness Assy		D	1	
37	A3ERPP7401	Bracket		D	1	
38	A3ERPP7201	Bracket		D	1	
39	A3ERPP7302	Tension Spring		C	2	
40	A3ERPP7102	Bracket		D	1	
41	A3ERPP6001	Seal		C	2	

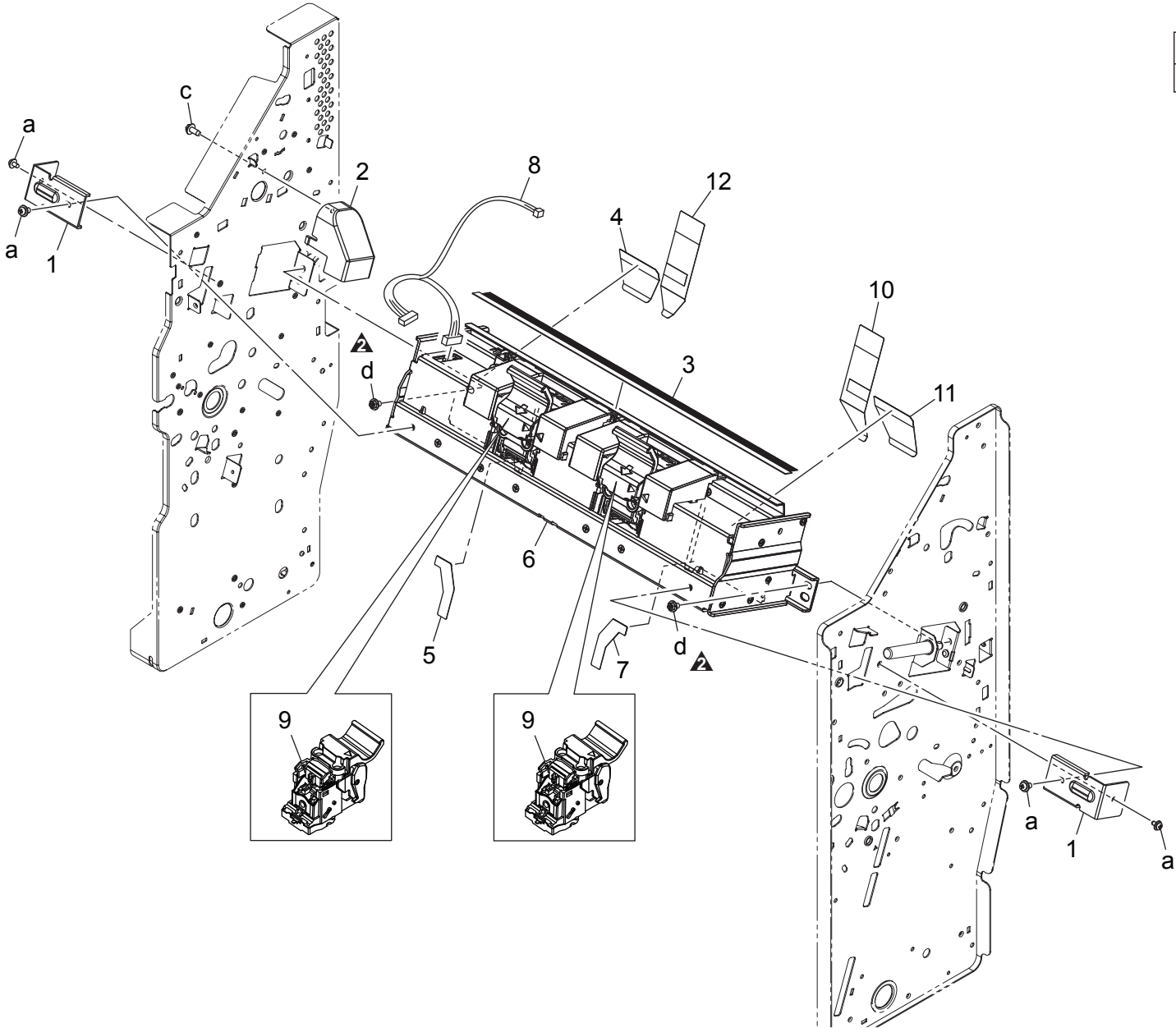
PAPER TRANSPORT SECTION



Key	Part No.	Description	Destinations	Class	QTY	Standard parts
1	A3EPPP1101	Bushing		D	3	a-V217040001 b-V144030603 c-A3EPPPB401 d-V217030001 e-V218040086 f-A3EPPPAY01
2	A3ERPP2J02	Guide		D	1	
3	A3EPPP3702	Roll		C	4	
4	A3ERPP2A00	Shaft		D	2	
5	A3ERPP2N01	Tension Spring		C	2	
6	A108M50100	Photointerrupter		B	2	
7	A3ERPP2B00	Torsion Spring		C	1	
8	A3ERPP2101	Actuator		C	1	
9	A3ERPP2302	Guide		D	1	
10	A3EPPP1300	Bushing		D	2	
11	A3ERPP2P01	Cushion		C	4	
12	A3EPPPAQ01	Pin		D	1	
13	A3ERPP2401	Lever		C	1	
14	A3ERPP6X01	Pressure Spring		C	1	
15	A3ERPP2901	Lever		C	1	
16	A3ERPP2E01	Gear 30T		C	1	
17	A3ERPP2G00	Timing Belt		C	1	
18	A3ERPP1X01	Mounting Plate		D	1	
19	A3ERPP2F00	Motor		C	1	
20	A3ERPP3N00	Motor		C	1	
21	A3ERPP2700	Gear 16/88T		C	1	
22	A3ERPP6V01	Tension Spring		C	1	
23	A3ERPP2800	Gear 50T		C	1	
24	A3ERPP2C00	Torsion Spring		C	1	
25	A3ERPP2L00	Torsion Spring		C	1	
26	A3ERPP1V02	Guide		D	1	
27	A3ERPP2001	Mounting Plate		D	1	
28	A3ERPP2201	Guide		D	1	
29	A3ERPP2D01	Roller		C	1	
30	A3ERPP1U02	Guide		D	1	
31	A3ERPP6R00	Label		D	1	
32	A3ERPP7801	Wire Harness Assy		D	1	
33	A3ERPP7D02	Wire Harness Assy		D	1	
34	A3ERPP7701	Wire Harness Assy		D	1	
35	A3ERPP7C01	Wire Harness Assy		D	1	

STAPLER SECTION

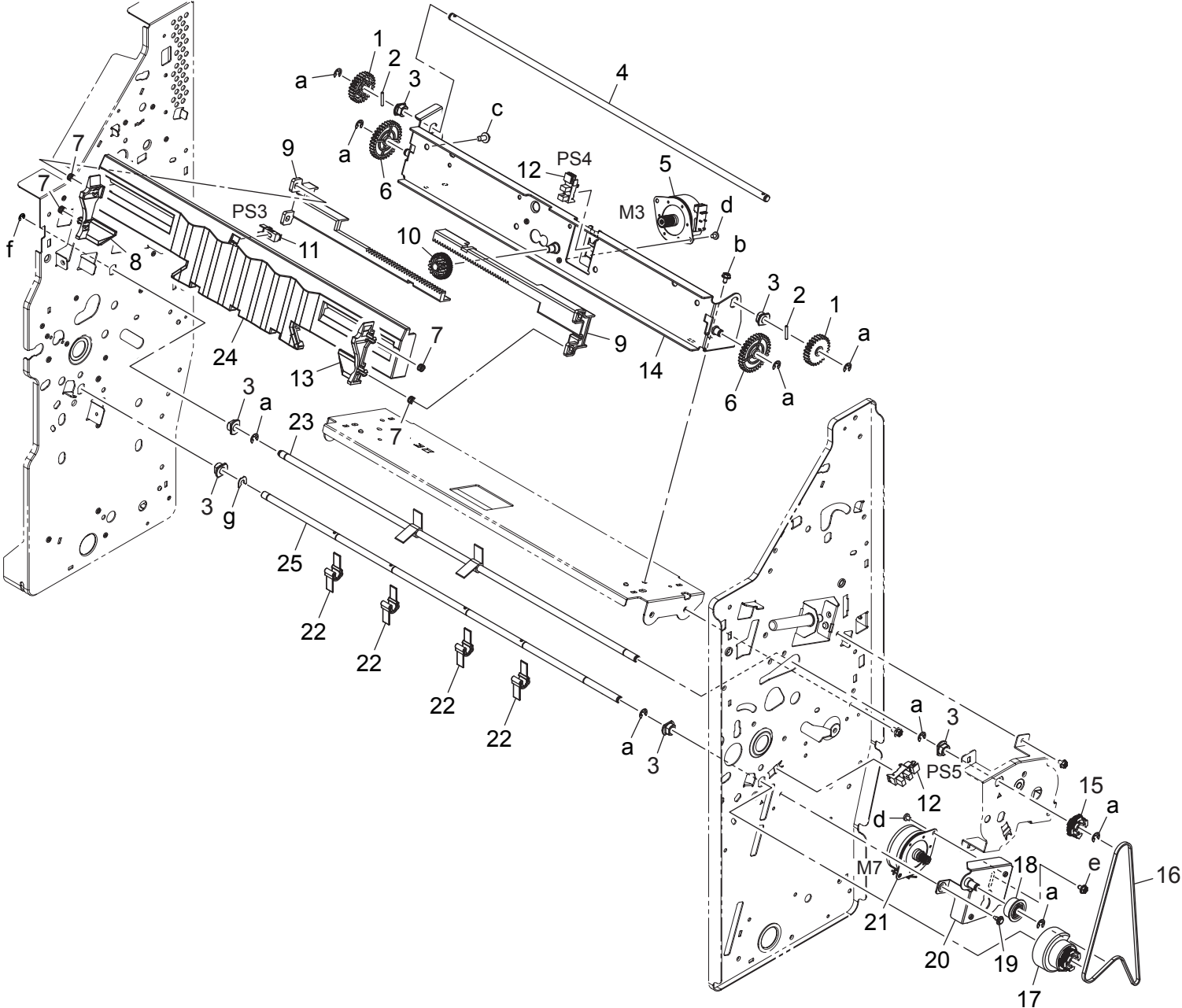
改訂版 REVISED EDITION	日付 DATE
	FEBRUARY 2016



STAPLER SECTION

Key	Part No.	Description	Destinations	Class	QTY	Standard parts
1	A3ERPP3Q01	Mounting Plate		D	2	a-V116040803 c-A3EPPPB401 d-A3EPPPBQ01
2	A3ERPP3R02	Cover		C	1	
3	A3ERPP3V01	Neutralizing Brush		C	1	
4	A3ERPP3U02	Seal		C	1	
5	A3ERPP3T01	Seal		C	1	
6	A3ER929300	Stapler Unit		C	1	
7	A3ERPP3S01	Seal		C	1	
8	A3ERPP7901	Wire Harness Assy		D	1	
9	A10DP00100	STAPLE CARTRIDGE		C	2	
10	A3ERPP7W01	Seal		C	1	
11	A3ERPP7V00	Seal		C	1	
12	A3ERPP7X01	Seal		C	1	

ALIGNMENT SECTION

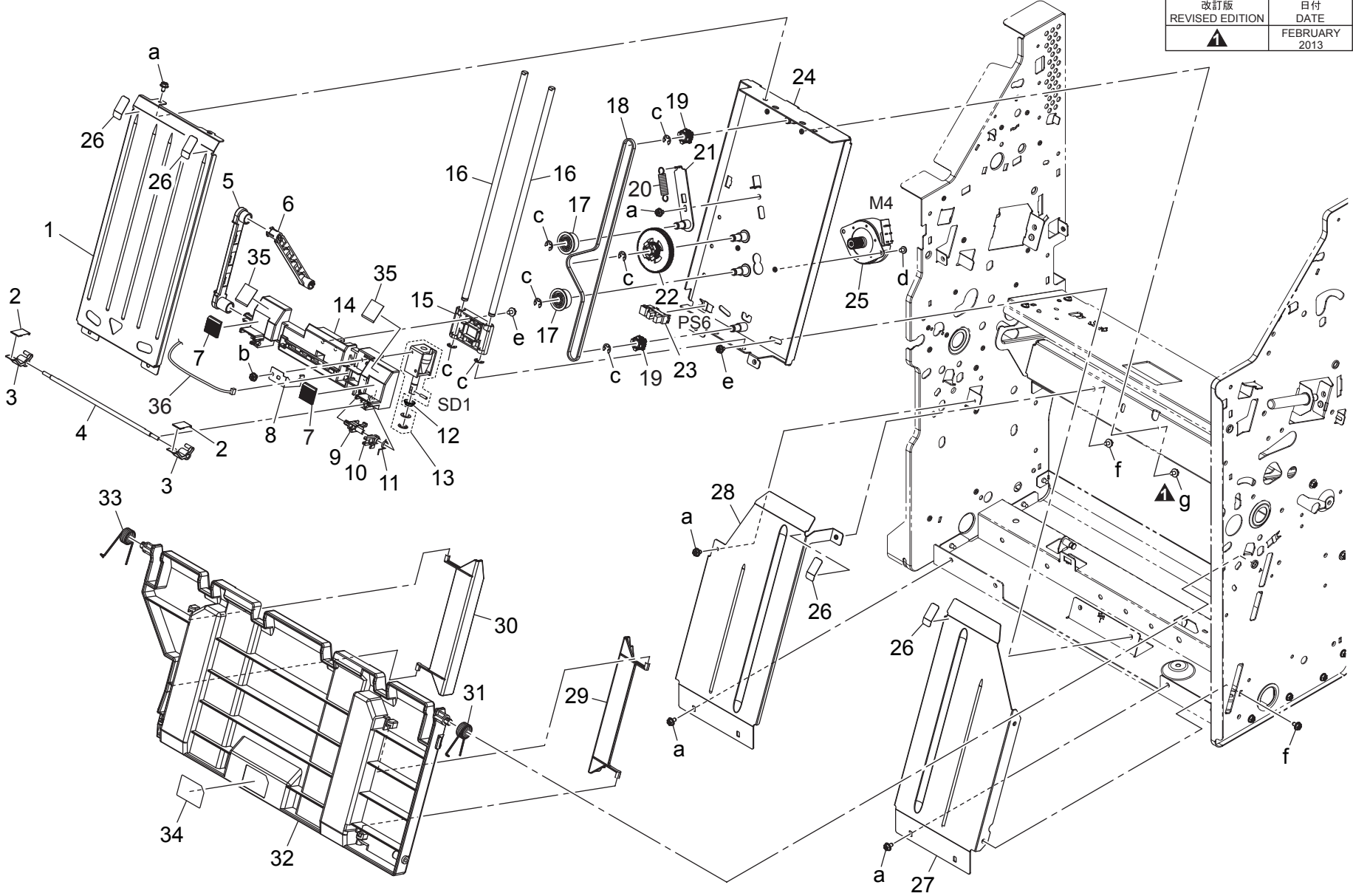


ALIGNMENT SECTION

Key	Part No.	Description	Destinations	Class	QTY	Standard parts
1	A3ERPP5T00	Gear 26T		C	2	a-V217040001 b-V144030603Old b-V144030803 c-A3EPPPB401 d-A3EPPPAY01 e-A3EPPPB101 f-V217030001 g-V218040086
2	A3ERPP1001	Pin		D	2	
3	A3EPPP1101	Bushing		D	6	
4	A3ERPP5U00	Shaft		D	1	
5	A3ERPP3N00	Motor		C	1	
6	A3ERPP5V00	Gear 34T		C	2	
7	A3ERPP3E00	Pressing Spring		C	4	
8	A3ERPP3B04	Regulating Plate		D	1	
9	A3ERPP3C03	Rack		D	2	
10	A3ERPP3D01	Gear 14/44T		C	1	
11	A0EDM50100	Photoreflector		I	1	
12	A108M50100	Photointerrupter		B	2	
13	A3ERPP3A04	Regulating Plate		D	1	
14	A3ERPP3902Old	Mounting Plate		D	1	
14	A3ERPP3903	Mounting Plate		D	1	
15	A3ERPP2E01	Gear 30T		C	1	
16	A3ERPP3J00	Timing Belt		C	1	
17	A3ERPP3K01	Gear 30T		C	1	
18	A3ERPP2R00	Roller		C	1	
19	A092145400	Shoulder screw		C	1	
20	A3ERPP2T01	Mounting Plate		D	1	
21	A3ERPP3M00	Motor		C	1	
22	A3ERPP7Y00	Paddle Assy		C	4	
23	A3ERPP3801	Paddle Assy		C	1	
24	A3ERPP6Y04	Cover		C	1	
25	A3ERPP7Z00	Shaft		D	1	

ALIGNMENT SECTION

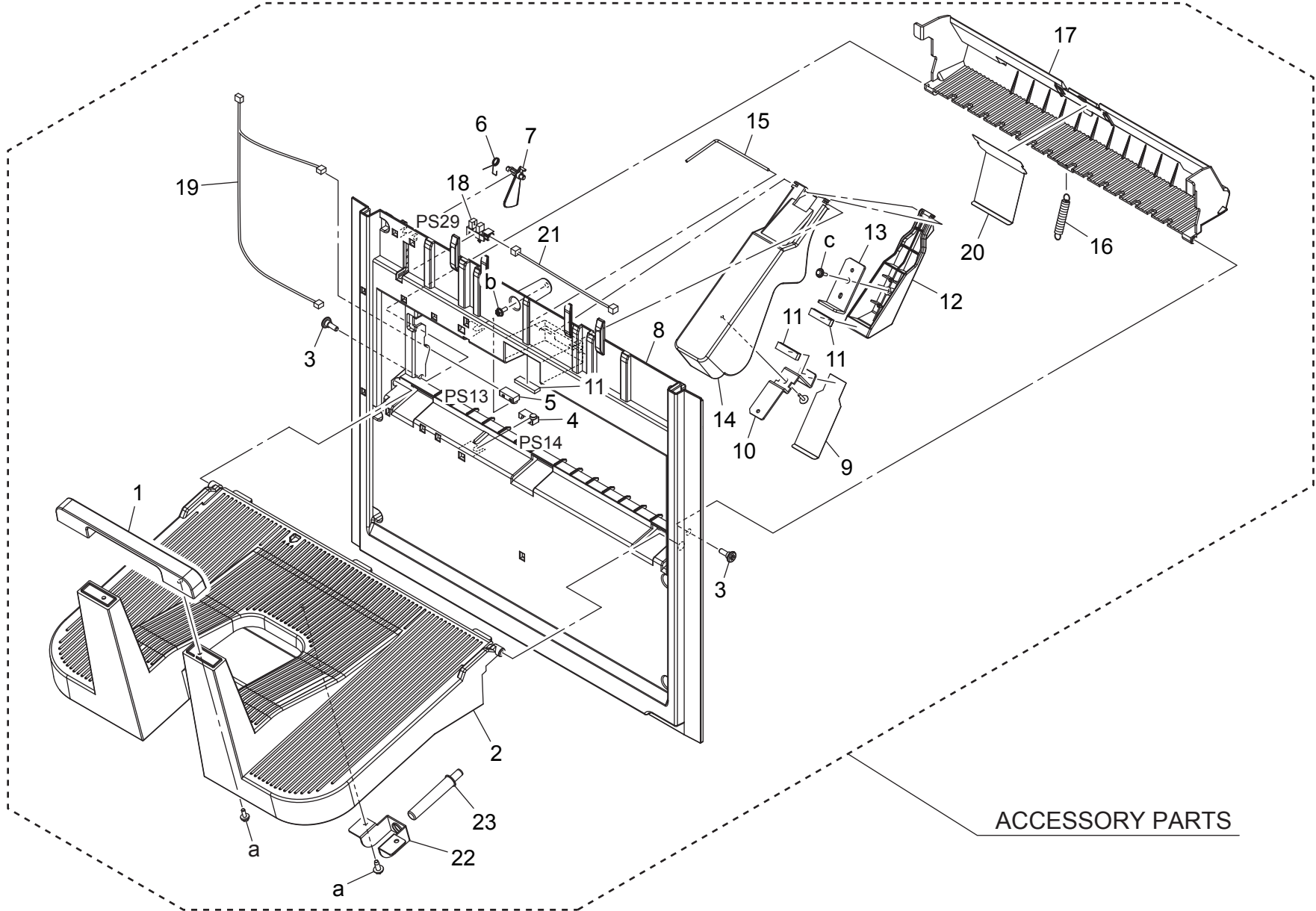
改訂版 REVISED EDITION	日付 DATE
▲	FEBRUARY 2013



ALIGNMENT SECTION

Key	Part No.	Description	Destinations	Class	QTY	Standard parts
1	A3ERPP7N01	Guide Plate		D	1	a-V144030603 b-A3EPPPB01 c-V217040001 d-A3EPPPAY01 e-A3EPPPB01 f-A3EPPPB101 g-V116031003
2	A3ERPP3G01	Seal		C	2	
3	A3ERPP3302	Stopper		C	2	
4	A3ERPP3601	Shaft		D	1	
5	A3ERPP3101	Arm		C	1	
6	A3ERPP3201	Arm		C	1	
7	A3ERPP3P01	Cushion		C	2	
8	A3ERPP3L01	Plate Spring		D	1	
9	A3ERPP3402	Lever		C	1	
10	A3ERPP3000	Lever		C	1	
11	A3ERPP3701	Torsion Spring		C	1	
12	A3ERPP3F01	Pressing Spring		C	1	
13	A10DM20000	Plunger solenoid		C	1	
14	A3ERPP2V00	Holder		D	1	
15	A3ERPP2U00	Holder		D	1	
16	A3ERPP3500	Shaft		D	2	
17	A3ERPP2R00	Roller		C	2	
18	A3ERPP3H00	Timing Belt		C	1	
19	A3ERPP2Y00	Gear 20T		C	2	
20	A3ERPP7001	Tension Spring		C	1	
21	A3ERPP2Q01	Tension Plate		D	1	
22	A3ERPP2X00	Gear		C	1	
23	A108M50100	Photointerrupter		B	1	
24	A3ERPP2S04	Mounting Plate		D	1	
25	A3ERPP3N00	Motor		C	1	
26	A3ERPP2M02	Seal		D	4	
27	A3ERPP1Y01	Guide		D	1	
28	A3ERPP2K01	Guide		D	1	
29	A3ERPP2602	Guide		D	1	
30	A3ERPP2H02	Guide		D	1	
31	A3ERPP2C00	Torsion Spring		C	1	
32	A3ERPP2503	Guide		D	1	
33	A3ERPP2L00	Torsion Spring		C	1	
34	A3ERPP6T00	Label		D	1	
35	A3ERPP7U00	Seal		D	2	
36	A3ERPP7F01	Wire Harness Assy		D	1	

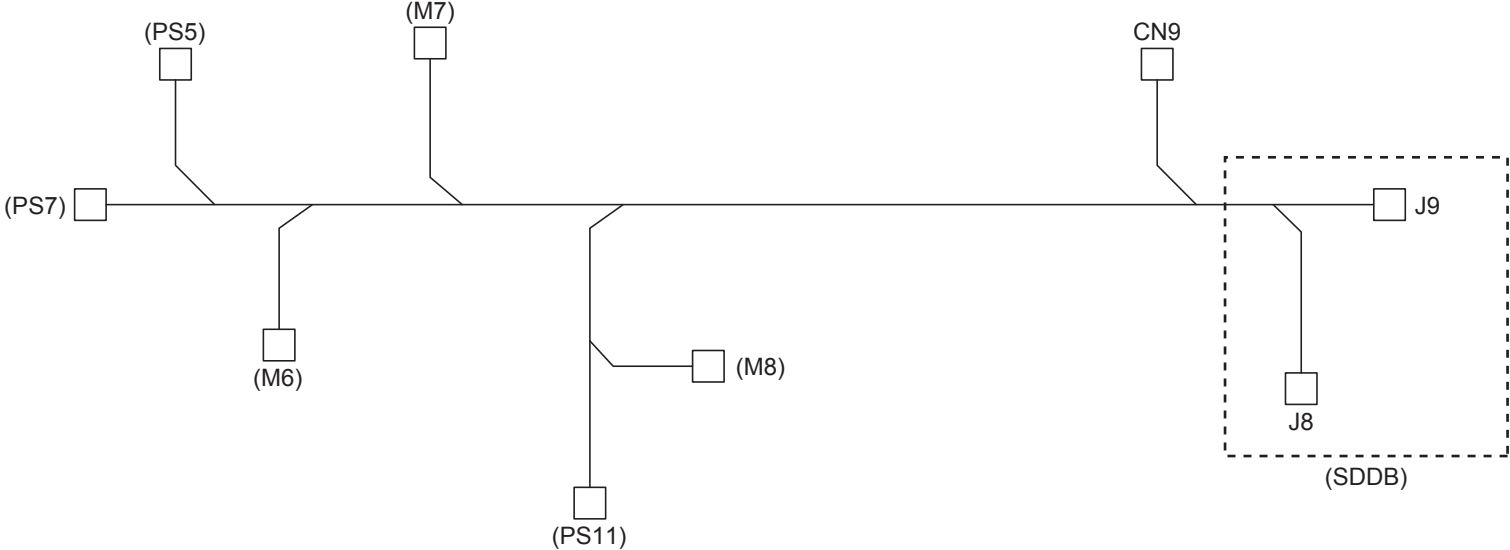
PAPER EXIT TRAY SECTION



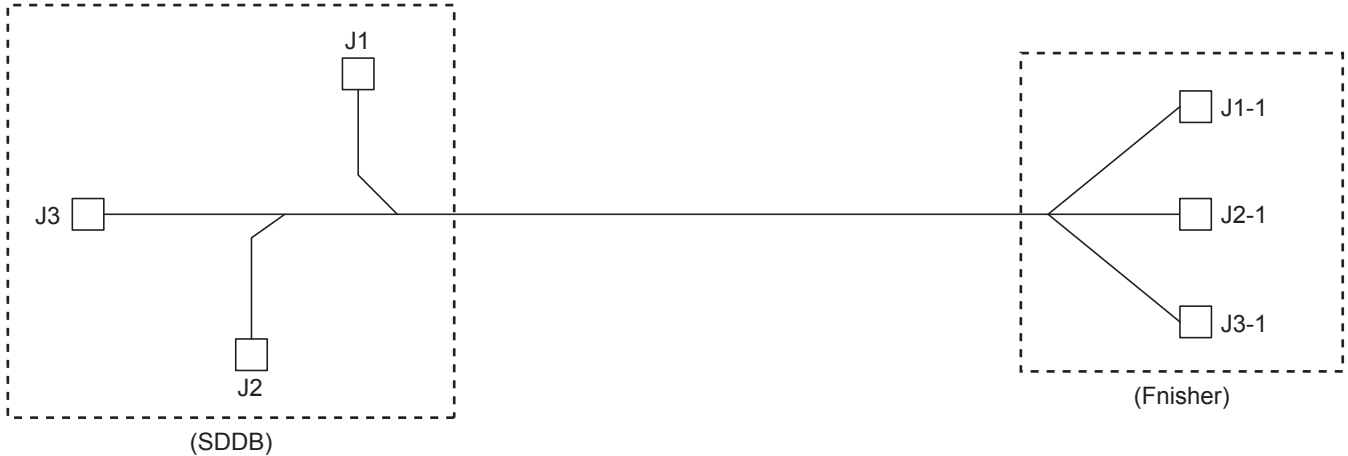
PAPER EXIT TRAY SECTION

Key	Part No.	Description	Destinations	Class	QTY	Standard parts
1	A3ERPP6801	Cover		C	1	a-A3EPPPB401 b-A3EPPPB201 c-A3EPPPB301
2	A3ERPP6703	Tray		C	1	
3	A3ERPP6G01	Shoulder Screw		D	2	
4	A3EPPP2600	Photoreflector		I	1	
5	A3EPPP2700	Photoreflector		I	1	
6	A3EPPPB500	Torsion Coil spring		C	1	
7	A3EPPPA802	Actuator		C	1	
8	A3ERPP6D04	Cover		C	1	
9	A3ERPP6H01	Seal		C	1	
10	A3ERPP6E01	Mounting Plate		D	1	
11	A10D427300	Cushion		C	3	
12	A3ERPP6A01	Cover		C	1	
13	A3ERPP6F01	Mounting Plate		D	1	
14	A3ERPP6902	Arm		C	1	
15	A3ERPP6B01	Shaft		D	1	
16	A3ERPP6C01	Tension Spring		C	1	
17	A3ERPP6602	Guide		D	1	
18	A108M50100	Photointerrupter		B	1	
19	A3ERPP7J01	Wire Harness Assy		D	1	
20	A3ERPP7501	Seal		C	1	
21	A3EPPPCH01	Wire Harness Assy		D	1	
22	A3ERPP8000	Mounting Plate		D	1	
23	A3ERPP4P00	Shaft		D	1	

1



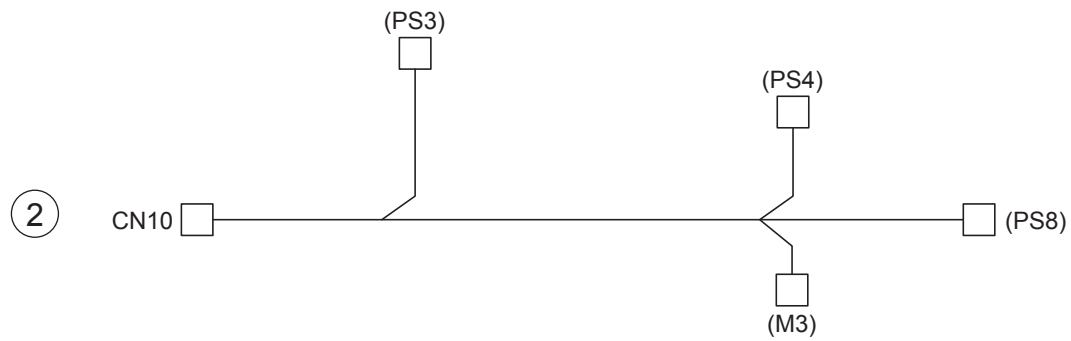
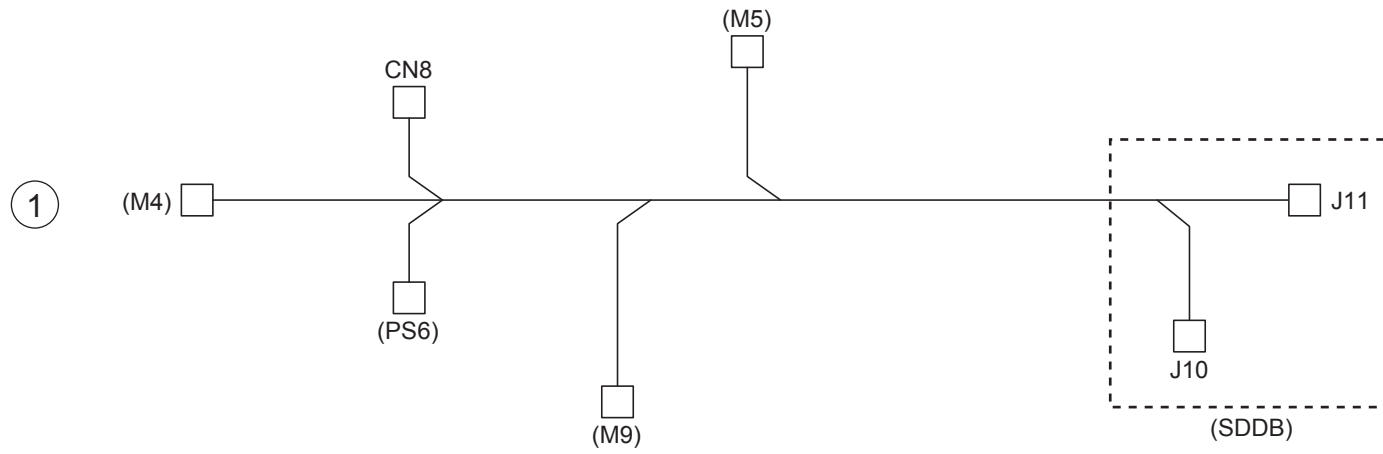
2



WIRING

Key	Part No.	Description	Destinations	Class	QTY	Standard parts
1	A3ERPP7E01	Wire Harness Assy		D	1	
2	A3ERPP7601	Wire Harness Assy		D	1	

WIRING

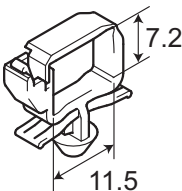
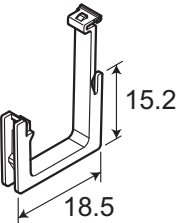
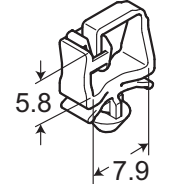
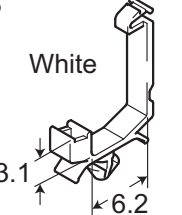

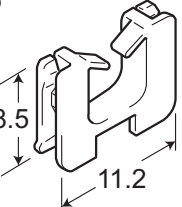


WIRING

Key	Part No.	Description	Destinations	Class	QTY	Standard parts
1	A3ERPP7B01	Wire Harness Assy		D	1	
2	A3ERPP7A01	Wire Harness Assy		D	1	

WIRING ACCESSORIES AND JIGS

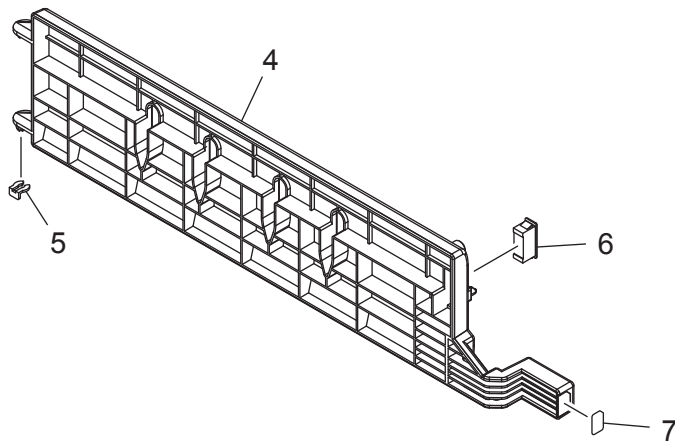
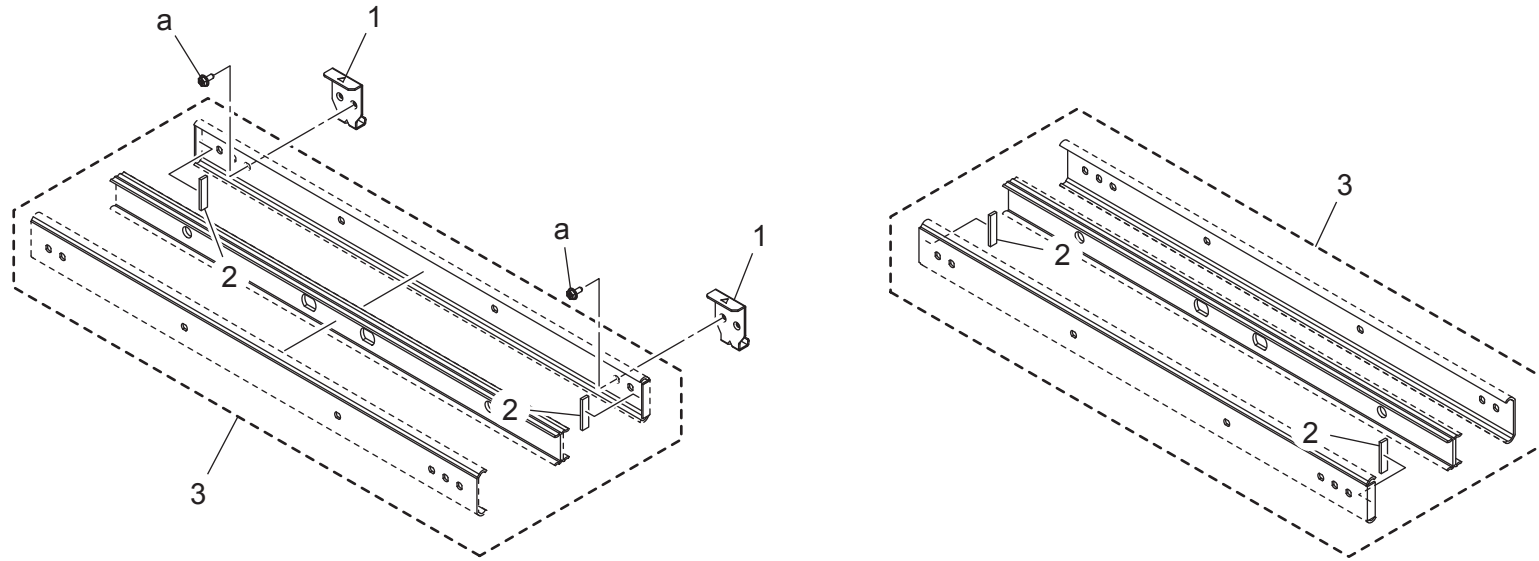
P 14

1 	6 	11	16	21	26	31	36
2 	7	12	17	22	27	32	37
3 White 	8	13	18	23	28	33	38
4  L=104	9	14	19	24	29	34	39
5 	10	15	20	25	30	35	40

WIRING ACCESSORIES AND JIGS

Key	Part No.	Description	Destinations	Class	QTY	Standard parts
1	V500010082	Locking Wire Saddle		D		
2	V500020098	Mini Locking wire saddle		D		
3	V500020099	Mini Locking wire saddle		D		
4	V501010001	band		D		
5	V570010021	Saddle		D		
6	V570010026	Locking Edge Saddle		D		

ACCESSORY PARTS



a
x 6

ACCESSORY PARTS

Key	Part No.	Description	Destinations	Class	QTY	Standard parts
1	A3ERPP1501	Mounting Plate		D	2	a-A3ERPP6K02
2	A3ERPP8100	Cushion		D	4	
3	A3ERPP1Q00	Rail		C	2	
4	A3EPPPCL01	Guide		D	1	
5	1033440203	STOPPER RING		C	1	
6	4030104002	CATCH		D	1	
7	A3EPPPCK01	Label		D	1	

MAINTENANCE LIST

● The items with no Page/Key numbers are not handled as spare parts.

No.	Section	PM Parts Description	Maintenance Cycle (K=1,000)		Parts No.	Destinations	Page/Key	Note
			QTY	Replace				
1	SD-511	Upper paddle assy	1	2,000K	A3ERPP3801		P9-23	*1
2		Lower paddle unit	4	2,000K	A3ERPP7Y00		P9-22	*1

*1: Actual durable cycle (life counter value)

メンテナンスリスト

● ページ / キーナンバーのないものは、アフターサービス部品ではありません。

No.	区分	PM 部品名称	サイクル (K=1,000)		部品番号	仕向地	頁 / キー	備考
			員数	交換				
1	SD-511	上パドル Assy	1	2,000K	A3ERPP3801		P9-23	*1
2		下パドルユニット	4	2,000K	A3ERPP7Y00		P9-22	*1

*1: 実質交換サイクル値 (ライフカウンター値)

DESTINATION

Destination No.		Destinations		V	Hz	Model No.
A	A1	JAPAN		100	50/60	A3ERWY1
	A2	JAPAN				
B		USA, CANADA		120	60	A3ERWY1
C		EUROPEAN TYPE		220-240	50/60	A3ERWY1
D	D1	S.E ASIA TYPE	THAILAND, SRI LANKA, SINGAPORE, MALAYSIA, HONG KONG, PAKISTAN, INDIA, BANGLADESH, INDONESIA	220-240	50/60	A3ERWY1
	D3	OCEANIA TYPE	AUSTRALIA, NEW ZEALAND	220-240	50/60	A3ERWY1
E		PHILIPPINES		220-240	50/60	A3ERWY1
F	F1	SAUDI ARABIA				
	F2	SAUDI ARABIA		220-240	50/60	A3ERWY1
G	G1	C.S AMERICA		220-240	50/60	A3ERWY1
	G2	C.S AMERICA		120	60	A3ERWY1
H		TAIWAN		110	60	A3ERWY1
I		JORDAN, LEBANON, SYRIA, SOUTH AFRICA, IRAQ, IRAN, N.YEMEN, CAMEROON, UAE, BAHRAIN, OMAN, QATAR, KUWAIT, KENYA, TUNISIA, IVORY COAST, MOROCCO		220-240	50/60	A3ERWY1
J		CHINA		220-240	50/60	A3ERWY1
K		KOREA		220-240	50/60	A3ERWY1