

KONICA MINOLTA

PARTS GUIDE MANUAL

SEPTEMBER 2013

LU-204
A0TJ

INFORMATION FOR PARTS GUIDE MANUAL

To find correct Parts No., refer to the "HOW TO MAKE THE BEST USE OF THIS MANUAL" in the following page.

HOW TO MAKE THE BEST USE OF THIS MANUAL

- 1 When you order, please check the proper figures beforehand that are on Our Parts Guide Manual, and order with the appropriate figures.
- 2 For screws, Nuts, Washers, retaining rings and Pins which are used in this model, one letter is shown on the Standard parts column of Parts list and exploded diagrams.
- 3 In order to maintain safety of the product, some specific parts composed of this product are set up as "essential safety parts".
- 4 The assigned parts number for the "essential safety parts" is indicated as "SP00-****".
When replacing these parts, follow precautions for disassembling and installing which are listed in the Service Manual.
Do not use any parts that are not set up as
- 5 ♣ means that there are exclusive parts for each destination.
Please check the appropriate destination when you order.
- 6 Revision Mark
Marked as ▲ on the illustration shows that the revision has been made.
- 7 All rights reserved. (any reprints or quotations are prohibited.)
Use of this parts guide manual should be strictly supervised to avoid disclosure of confidential information.

パーツガイドマニュアルのご案内

サービス部品をご発注の際には、下記に示す“パーツガイドマニュアルの活用にあたって”をご参照の上、正しい部品番号にてお願い致します。

パーツガイドマニュアルの活用にあたって

- 1 部品発注の際には、掲載されている部品番号の桁数を確認し、掲載されている桁数で発注願います。
- 2 この製品に使用されているネジ、ナット、ワッシャー、止め輪、ピンなどは、リストの右側の Standard parts 欄に a,b,c,……で表示し、イラストにも a,b,c,……表示してあります。
- 3 製品の安全性を維持する為に、製品に使用される特定の部品を「重要保安部品」として設定しています。
- 4 重要保安部品の部品番号は、“SP00-****”と記載されていますので、部品交換時は、サービスマニュアル記載の分解・組み立ての注意事項に従って作業をして下さい。
また、指定以外の部品は一切使用しないで下さい。
- 5 本文に ♣ が表示されている部品は、仕向け地毎に専用部品がある事を意味しています。
オーダーされる時は、仕向け地を確認して下さい。
- 6 改訂記号について
イラスト上に ▲ 印が表示されている部分は、改訂された事を表します。
- 7 著作権所有（無断転載及び無断引用の禁止）
本パーツガイドマニュアルについては、機密保持等その扱いには十分注意して下さい。万一取り扱いを誤った場合には、法律で処罰されることがあります。

CONTENTS

No.	DESCRIPTION	名称	PAGE No.
1	EXTERNAL PARTS	外装部	P1
2	FRAME SECTION	フレーム部	P2
3	LIFT-UP TRAY SECTION	リフトアップトレイ部	P3
4	FRONT LIFT WIRE SECTION	前昇降ワイヤ部	P4
5	PAPER FEED SECTION	給紙部	P5 P6
6	PAPER TRANSPORT SECTION	搬送部	P7
7	REAR LIFT WIRE SECTION	後昇降ワイヤ部	P8
8	DRIVE SECTION	駆動部	P9
9	WIRING	束線	P10
10	WIRING ACCESSORIES AND JIGS	配線部品・治具	P11
11	ACCESSORY PARTS	同梱部品	P12

INDEX

Parts No.	Page No.
12QR86011	9-4
12VL42390	8-18
12VL42941	3-11
13SU10081	4-23
13SU12170D	1-2
13SU47141D	2-17
13SU47260	8-10
13SU47300D	8-11
13SU47380	8-8
13SU47410	8-17
13SU47460D	3-9
13SU47470	9-3
13SU47480	4-7
13SU47480	4-26
13SU47480	8-7
13SU47480	8-24
4014159201	4-11
4014175401	4-4
4014175401	8-19
4014197001	4-12
4014197001	4-27
4014197001	8-20
4014197001	8-25
4014197701	3-13
4014217301	7-3
4024255001	5-8
4024255001	6-17
4030312201	7-9
4036301401	9-14
4037090201	7-11
4131353202	9-16
4969115501	4-14
540047200	3-2
57AA97870	3-19
9335130061	3-22
9335130061	6-4
9335130061	9-5
A00J168102	1-6
A00J168400	1-7
A00J168801	1-8

Parts No.	Page No.
A00J563600	5-7
A00J563600	6-16
A00J587000	5-14
A00J595600	5-6
A00J601600	6-8
A00J602700	5-11
A00J602800	5-18
A00J617800	6-2
A00J618500	6-15
A00J619500	6-14
A00J619600	6-12
A00J619611	6-12
A00J619700	6-11
A00J619800	6-19
A00J660800	6-21
A00J663200	5-1
A00J663200	5-20
A00J663200	6-7
A00J663200	7-5
A00J663200	9-6
A00J700900	12-10
A00J700900	12-18
A00JH00D00	1-5
A00JM12000	9-13
A00JR74900	9-12
A03N100900	4-16
A03N101100	4-22
A03N101200	4-1
A03N101300	12-3
A03N101400	12-1
A03N101502	12-8
A03N101600	12-9
A03N101600	12-17
A03N102000	3-7
A03N102100	3-5
A03N102200	3-4
A03N102300	3-20
A03N102400	3-21
A03N102900	2-21
A03N103801	4-13

Parts No.	Page No.
A03N104000	2-10
A03N104200	4-24
A03N104300	12-13
A03N104300	12-19
A03N104400	2-9
A03N104500	2-16
A03N104500	4-10
A03N160800	1-19
A03N161000	1-17
A03N161100	1-12
A03N161200	1-3
A03N161300	1-26
A03N210100	9-9
A03N210401	5-16
A03N210401	6-1
A03N210500	9-7
A03N210600	9-8
A03N210700	9-10
A03N560301	6-13
A03N560402	5-4
A03N560500	5-17
A03N560600	5-3
A03N560700	5-2
A03N560800	5-9
A03N561001	6-6
A03N561100	6-3
A03N561200	5-5
A03N561501	6-9
A03N561600	5-12
A03N561700	6-10
A03N620900	4-17
A03N621000	8-2
A03N621800	4-19
A03N622000	3-10
A03N700300	7-12
A03N700400	7-10
A03N700501	7-8
A03N940100	1-11
A03NN10300	1-21
A03NR70000	3-6

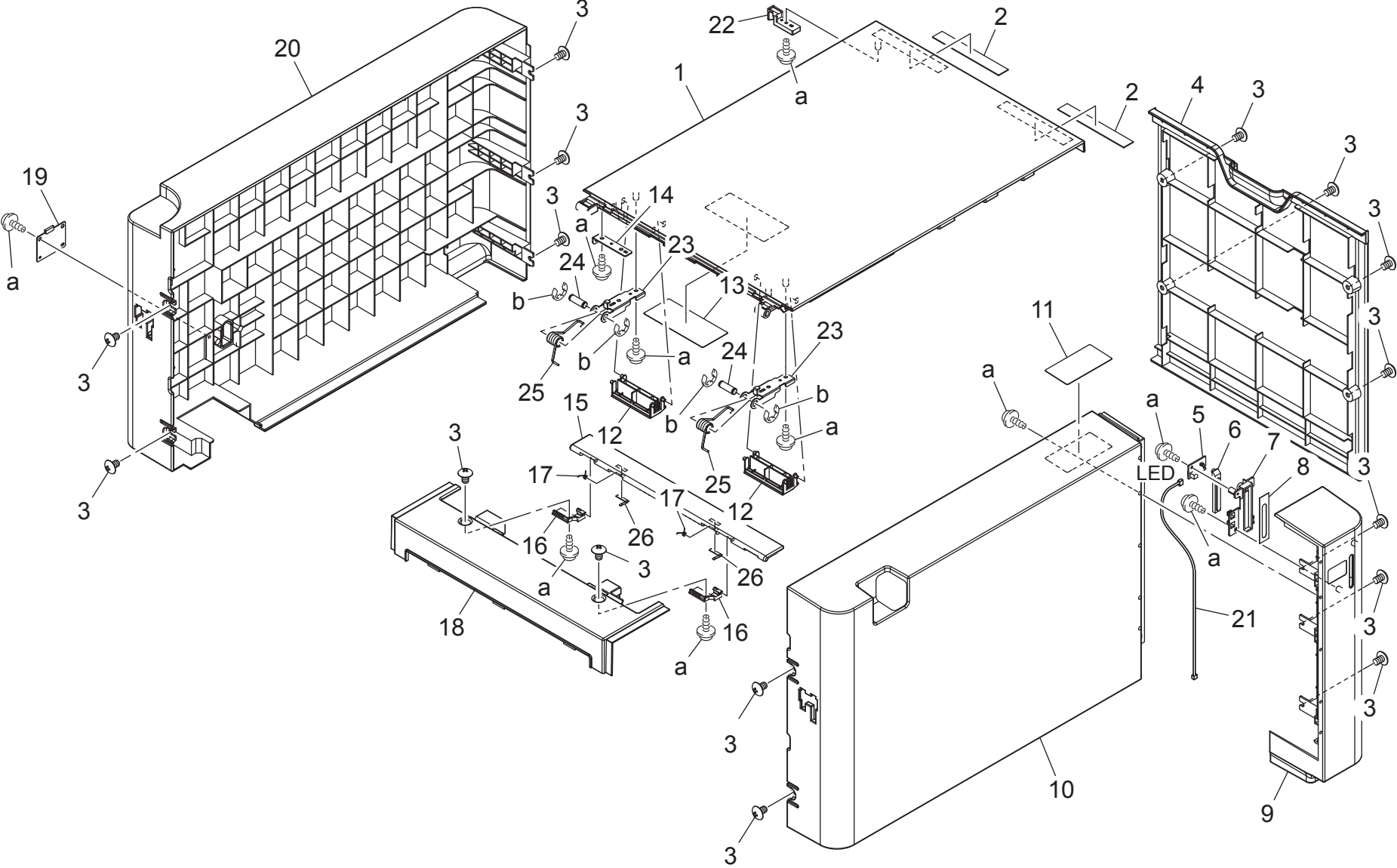
Parts No.	Page No.
A03NR7A000	4-25
A03NR7A100	3-1
A03NR7A400	12-4
A0DA116100	2-3
A0P0664000	5-19
A0P0664000	6-22
A0TJ100200	2-5
A0TJ100300	2-14
A0TJ100400	2-8
A0TJ100500	2-12
A0TJ100700	3-8
A0TJ101000	4-2
A0TJ101901	12-6
A0TJ102001	3-23
A0TJ102500	4-15
A0TJ103200	8-6
A0TJ103500	2-11
A0TJ103600	2-6
A0TJ103700	2-1
A0TJ103900	2-7
A0TJ104600	2-20
A0TJ104700	2-24
A0TJ105001	3-14
A0TJ105701	2-15
A0TJ105800	2-2
A0TJ105900	8-12
A0TJ106300	3-8
A0TJ106600	2-15
A0TJ106700	2-2
A0TJ106800	2-6
A0TJ106900	2-1
A0TJ160001	1-10
A0TJ160100	1-20
A0TJ160200	1-4
A0TJ160300	2-13
A0TJ160400	1-18
A0TJ160500	1-1
A0TJ160600	1-9
A0TJ160701	1-15
A0TJ160900	1-16

Parts No.	Page No.
A0TJ161600	1-14
A0TJ161700	1-23
A0TJ161800	1-25
A0TJ161900	1-24
A0TJ162100	1-22
A0TJ168900	1-18
A0TJ169000	1-14
A0TJ210300	7-2
A0TJ210800	5-15
A0TJ211000	2-22
A0TJ211100	8-13
A0TJ211200	8-16
A0TJ211300	4-3
A0TJ211500	7-1
A0TJ211600	9-26
A0TJ211701	9-17
A0TJ211900	9-23
A0TJ212000	9-21
A0TJ212100	9-22
A0TJ212400	9-18
A0TJ212500	9-29
A0TJ212700	9-20
A0TJ212800	9-19
A0TJ212900	9-30
A0TJ213000	8-9
A0TJ213100	9-24
A0TJ213300	8-23
A0TJ213400	8-22
A0TJ213500	9-25
A0TJ213600	4-5
A0TJ213600	8-5
A0TJ213700	8-14
A0TJ560000	5-13
A0TJ560100	6-5
A0TJ560200	6-18
A0TJ560500	5-24
A0TJ560600	5-23
A0TJ560700	5-22
A0TJ560900	2-4
A0TJ561800	5-28

Parts No.	Page No.
A0TJ561900	6-5
A0TJ562000	6-3
A0TJ562100	9-31
A0TJ602800	5-25
A0TJ602900	5-26
A0TJ603000	5-27
A0TJ620000	3-3
A0TJ620100	3-18
A0TJ620200	4-6
A0TJ620200	8-4
A0TJ620300	4-9
A0TJ620300	8-21
A0TJ620400	4-8
A0TJ620600	4-20
A0TJ620700	4-18
A0TJ620800	4-21
A0TJ621100	9-2
A0TJ621200	2-23
A0TJ621300	8-3
A0TJ621901	3-12
A0TJ622200	2-18
A0TJ622300	3-16
A0TJ622400	3-15
A0TJ622500	9-15
A0TJ622600	8-1
A0TJ622700	2-19
A0TJ623000	3-17
A0TJ623200	4-6
A0TJ623200	8-4
A0TJ623300	4-9
A0TJ623300	8-21
A0TJ623400	4-21
A0TJ623500	9-2
A0TJ623600	2-23
A0TJ623700	8-3
A0TJ623800	3-12
A0TJ623900	2-18
A0TJ623900	2-25
A0TJ624000	3-16
A0TJ624100	3-15

Parts No.	Page No.
A0TJ624200	3-17
A0TJ624300	3-3
A0TJ624400	8-1
A0TJ624500	3-24
A0TJ625000	12-15
A0TJ625100	12-16
A0TJ625200	12-14
A0TJ700000	7-6
A0TJ700100	7-7
A0TJ700200	7-4
A0TJ701000	7-6
A0TJ701100	7-7
A0TJ940001	1-13
A0TJ940300	12-5
A0TJH00100	9-1
A0TJM12400	9-27
A0TJN10001	10-1
A0TJN10100	7-13
A0TJN10200	10-2
A0TJN10300	10-2
A0TJR7A000	9-28
A0TJR7A100	9-11
A0TJR7A200	8-15
A0TJR7A300	9-11
A0TJR7A400	3-1
A161562500	5-21
V116030803	12-22
V116040803	12-7
V137030803	12-20
V144030603	12-12
V217040001	12-2
V217060001	12-11
V217060001	12-21
V500010081	11-1
V500020098	11-2
V570010021	11-3
V570010035	11-4


EXTERNAL PARTS

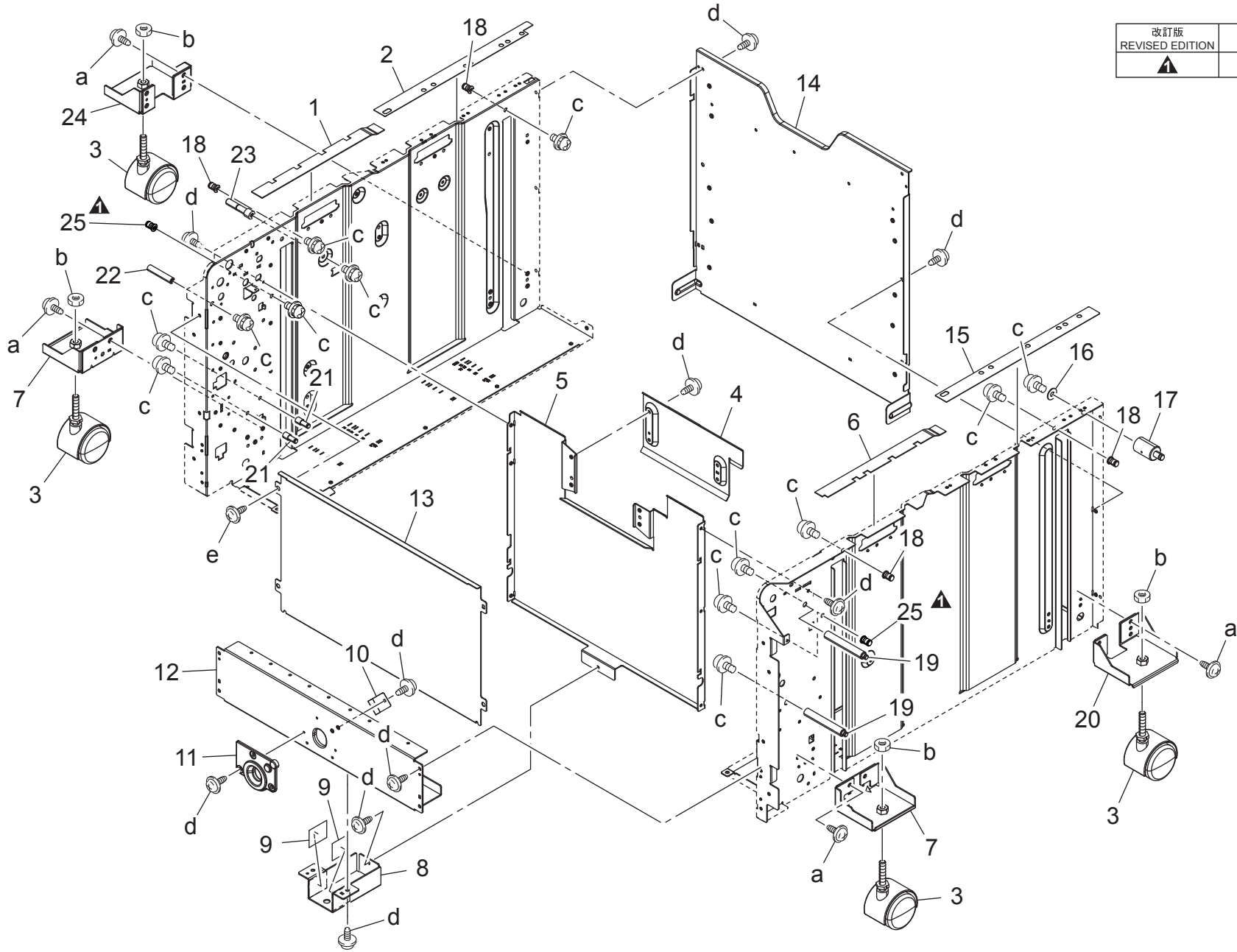


EXTERNAL PARTS

Key	Part No.	Description	Destinations	Class	QTY	Standard parts
1	A0TJ160500	Paper feed Door		C	1	a-V153030803 b-V217060001
2	13SU12170D	DOOR STOPPER CUSHION 2		C	2	
3	A03N161200	Screw		C	16	
4	A0TJ160200	Right Cover		C	1	
5	A00JH00D00	PWB Assembly LED1		C	1	
6	A00J168102	Lens /A		C	1	
7	A00J168400	Light blocking Cover		C	1	
8	A00J168801	Light blocking Plate		C	1	
9	A0TJ160600	Right Front Cover		C	1	
10	A0TJ160001	Front Cover		C	1	
11	A03N940100	Label		C	1	(Model No. A0TJ-WY1 ,WY2) (Model No. A0TJ-WY3 ,WY4)
12	A03N161100	Holding Plate		C	2	
13	A0TJ940001	Label		C	1	
14	A0TJ161600	Mounting Plate /ASSY		D	1	
14	A0TJ169000	Mounting Plate /ASSY		D	1	
15	A0TJ160701	Idler Cover		C	1	(Model No. A0TJ-WY1 ,WY2) (Model No. A0TJ-WY3 ,WY4)
16	A0TJ160900	Support Plate		C	2	
17	A03N161000	Holding Spring		C	2	
18	A0TJ160400	Upper Cover		C	1	
18	A0TJ168900	Cover /Upper		C	1	
19	A03N160800	Wiring Cover		C	1	配線カバー 後カバー L C T 中継束線 / 3 検出板 取付板
20	A0TJ160100	Rear Cover		C	1	
21	A03NN10300	Harness		C	1	
22	A0TJ162100	Detecting Plate		C	1	
23	A0TJ161700	Mounting Plate		D	2	
24	A0TJ161900	Support Shaft		D	2	支点軸 ねじりばね 固定シート
25	A0TJ161800	Torsion Spring		C	2	
26	A03N161300	Fixing Sheet		D	2	

FRAME SECTION

改訂版 REVISED EDITION	日付 DATE
	MARCH 2012



FRAME SECTION

Key	Part No.	Description	Destinations	Class	QTY	Standard parts
1	A0TJ103700	Sound shield Cushion /Rear	防音クッション／奥 (Model No. A0TJ-WY1 ,WY2)	C	1	a-V127040803 b-V195080003 c-V116030803 d-V144030603 e-V137040803
1	A0TJ106900	Sound shield Cushion /Rear	防音クッション／奥 (Model No. A0TJ-WY3 ,WY4)	C	1	
2	A0TJ105800	Seal /Rear	シール／後 (Model No. A0TJ-WY1 ,WY2)	D	1	
2	A0TJ106700	Seal /Rear	シール／後 (Model No. A0TJ-WY3 ,WY4)	C	1	
3	A0DA116100	Castor	キャスタ	C	4	
4	A0TJ560900	Guide Plate	ガイド板	C	1	
5	A0TJ100200	Panel /Left	パネル／左	C	1	
6	A0TJ103600	Sound shield Cushion /Front	防音クッション／前 (Model No. A0TJ-WY1 ,WY2)	C	1	
6	A0TJ106800	Sound shield Cushion /Front	防音クッション／前 (Model No. A0TJ-WY3 ,WY4)	C	1	
7	A0TJ103900	Support Plate /Left	支持板／左	D	2	
8	A0TJ100400	Positioning Plate /Lower	位置決め板／下	D	1	
9	A03N104400	Guide Film	ガイドフィルム	C	2	
10	A03N104000	Ground Plate	アース板	C	1	
11	A0TJ103500	Positioning Block	位置決めブロック	C	1	
12	A0TJ100500	Positioning Stay	位置決めステー	D	1	
13	A0TJ160300	Left Cover	左カバー	D	1	
14	A0TJ100300	Panel /Right	パネル／右	D	1	
15	A0TJ105701	Seal /Front	シール／前 (Model No. A0TJ-WY1 ,WY2)	D	1	
15	A0TJ106600	Seal /Front	シール／前 (Model No. A0TJ-WY3 ,WY4)	C	1	
16	A03N104500	Washer	ワッシャ	C	1	
17	13SU47141D	DRIVE AUXILIARY SHAFT 1	駆動補助軸 1	D	1	
18	A0TJ622200	Shaft	軸 (プーリ) (Model No. A0TJ-WY1 ,WY2)	D	4	
18	A0TJ623900	Shaft	軸 (プーリ) (Model No. A0TJ-WY3 ,WY4)	C	4	
19	A0TJ622700	Support Shaft /1	支点軸／1	D	2	
20	A0TJ104600	Support Plate/Right front	支点板／右前	D	1	
21	A03N102900	Slide Stake	スライドかしめ軸	D	2	
22	A0TJ211000	Positioning Shaft	位置決め軸	D	1	
23	A0TJ621200	Detection Shaft	検知軸 (Model No. A0TJ-WY1 ,WY2)	D	1	
23	A0TJ623600	Detection Shaft	検知軸 (Model No. A0TJ-WY3 ,WY4)	D	1	
24	A0TJ104700	Support Plate/Right rear	支点板／右後	D	1	
25	A0TJ623900	Shaft	軸 (プーリ) (Model No. A0TJ-WY3 ,WY4)	C	2	

LIFT-UP TRAY SECTION

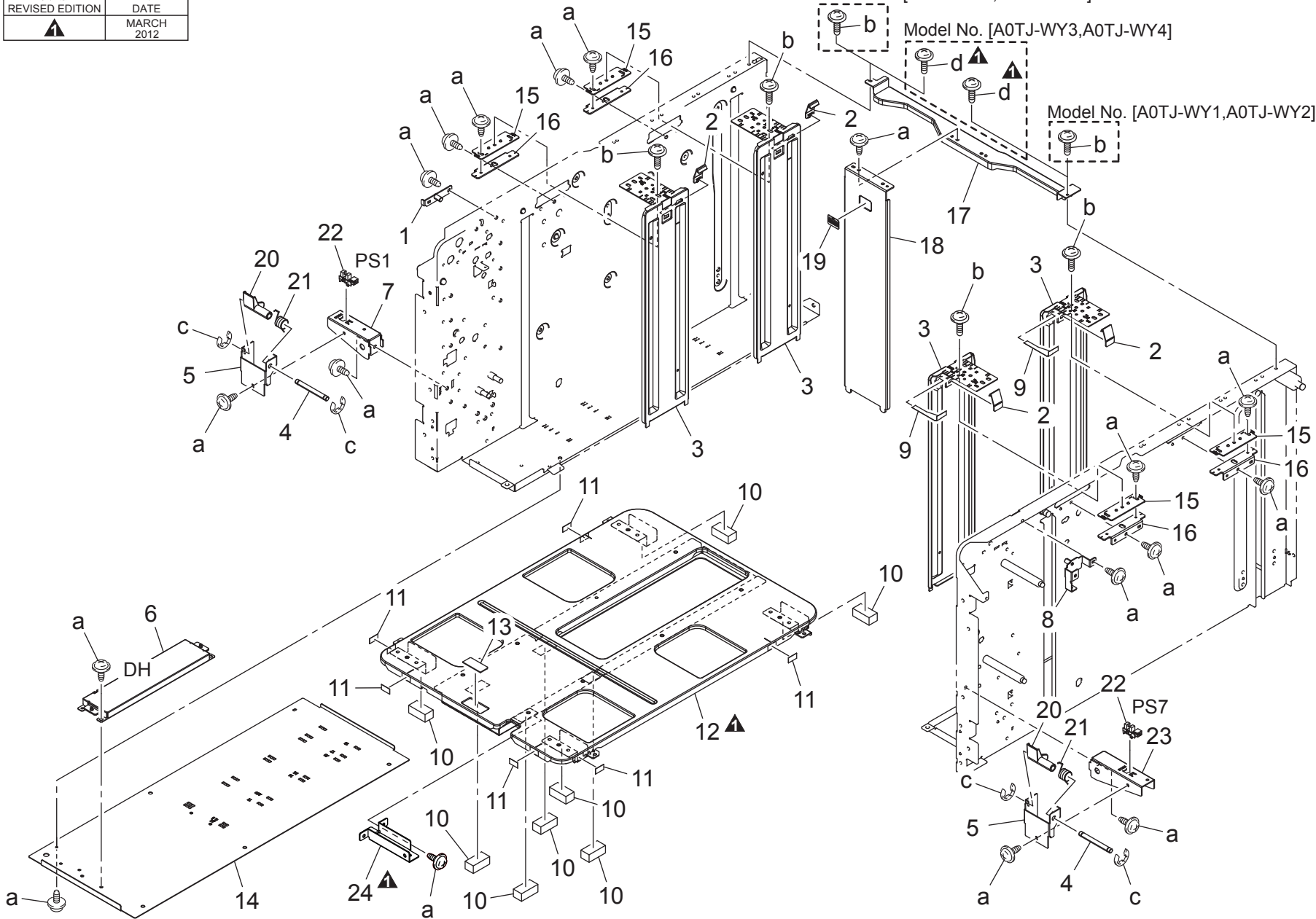
改訂版 REVISED EDITION	日付 DATE
▲	MARCH 2012

Model No. [A0TJ-WY1,A0TJ-WY2]

P 3

Model No. [A0TJ-WY3,A0TJ-WY4]

Model No. [A0TJ-WY1,A0TJ-WY2]

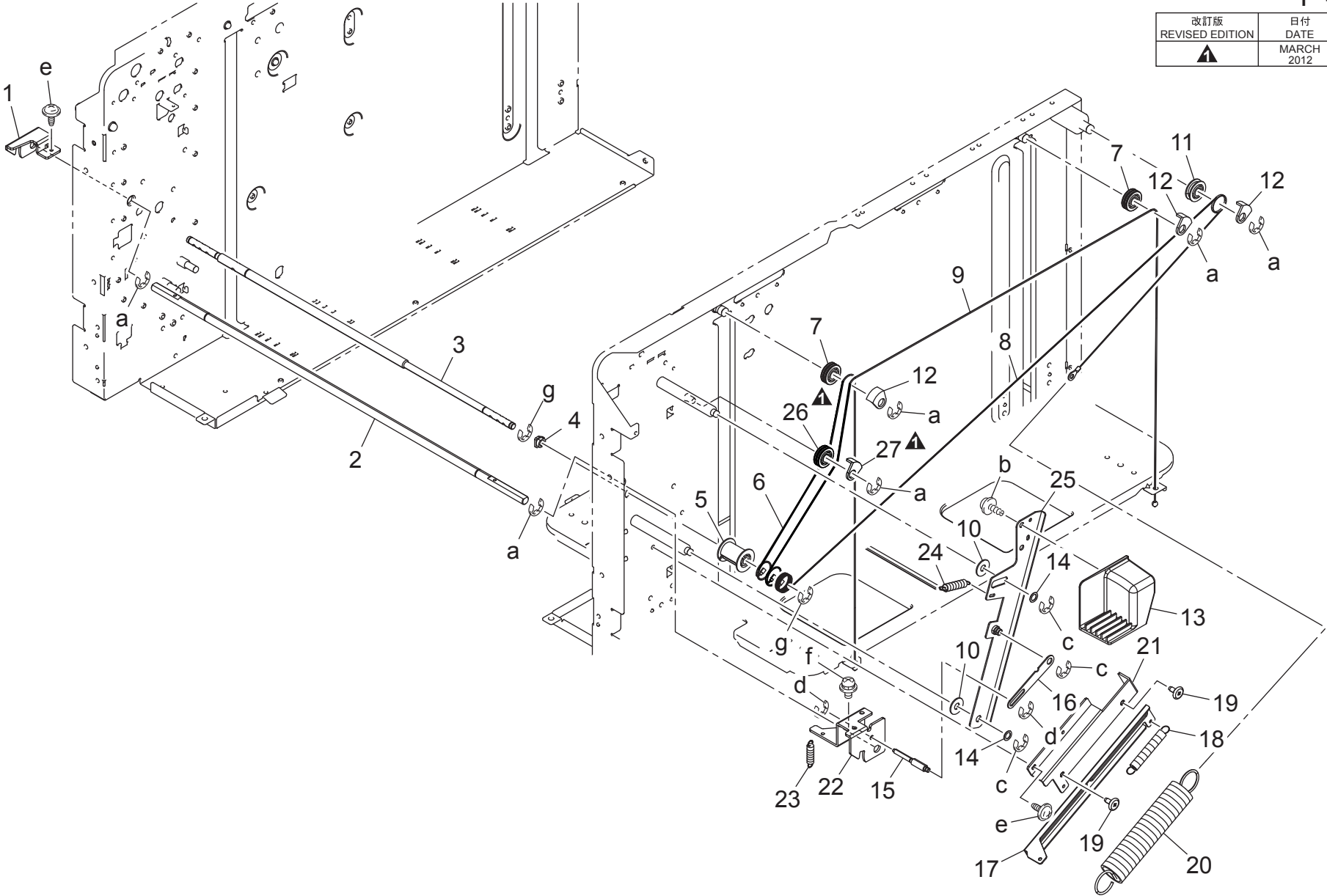


LIFT-UP TRAY SECTION

Key	Part No.	Description	Destinations	Class	QTY	Standard parts
1	A03NR7A100	SUPPORT PLATE/REAR STAKE	支点板／奥カシメ A S S Y (Model No. A0TJ-WY1 ,WY2)	D	1	a-V144030603 b-V126030603 c-V217040001 d-V111030603
1	A0TJR7A400	Support Plate/Rear Stake	支点板／奥カシメ A S S Y (Model No. A0TJ-WY3 ,WY4)	D	1	
2	540047200	PAPER REGULATING CLAW	紙規制爪	C	4	
3	A0TJ620000	Regulating Plate	規制板 (Model No. A0TJ-WY1 ,WY2)	C	4	
3	A0TJ624300	Regulating Plate	規制板 (Model No. A0TJ-WY3 ,WY4)	D	4	
4	A03N102200	Shaft	軸	D	2	
5	A03N102100	Mounting Plate /2	取付板／2	D	2	
6	A03NR70000	Moisture Proof Heater	防湿ヒータ A S S Y	D	1	
7	A03N102000	Mounting Plate	取付板	D	1	
8	A0TJ100700	Support Plate /ASSY	支点板／ A S S Y (Model No. A0TJ-WY1 ,WY2)	D	1	
8	A0TJ106300	Support Plate /ASSY	支点板／ A S S Y (Model No. A0TJ-WY3 ,WY4)	D	1	
9	13SU47460D	PAPER GUIDE SHEET	紙ガイドシート	C	2	
10	A03N622000	Sound shield Cushion	防音クッション	C	8	
11	12VL42941	SLIDE SHEET 3	スライドシート 3	C	6	
12	A0TJ621901	Lifting Plate /ASSY	押上げ板／ A S S Y (Model No. A0TJ-WY1 ,WY2)	D	1	
12	A0TJ623800	Lifting Plate /ASSY	押上げ板／ A S S Y (Model No. A0TJ-WY3 ,WY4)	D	1	
13	4014197701	SHEET	シート	C	1	
14	A0TJ105001	Bottom plate	底板	D	1	
15	A0TJ622400	Adjusting Plate	調整板 (Model No. A0TJ-WY1 ,WY2)	D	4	
15	A0TJ624100	Adjusting Plate	調整板 (Model No. A0TJ-WY3 ,WY4)	D	4	
16	A0TJ622300	Mounting Plate	取付板 (Model No. A0TJ-WY1 ,WY2)	D	4	
16	A0TJ624000	Mounting Plate	取付板 (Model No. A0TJ-WY3 ,WY4)	D	4	
17	A0TJ623000	Mounting Plate	取付板 (後端規制) (Model No. A0TJ-WY1 ,WY2)	D	1	
17	A0TJ624200	Mounting Plate	取付板 (後端規制) (Model No. A0TJ-WY3 ,WY4)	D	1	
18	A0TJ620100	Regulating Plate	規制板 (後端)	D	1	
19	57AA97870	PAPER GUIDE LABEL	紙案内ラベル	C	1	
20	A03N102300	Detection Actuator	検知アクチュエータ	C	2	
21	A03N102400	Torsion Spring	ねじりばね	C	2	
22	9335130061	PHOTO INTERRUPTER	フォトインタラプタ	B	2	
23	A0TJ102001	Mounting Plate	取付板	D	1	
24	A0TJ624500	Reinforce Plate	補強板	D	1	

FRONT LIFT WIRE SECTION

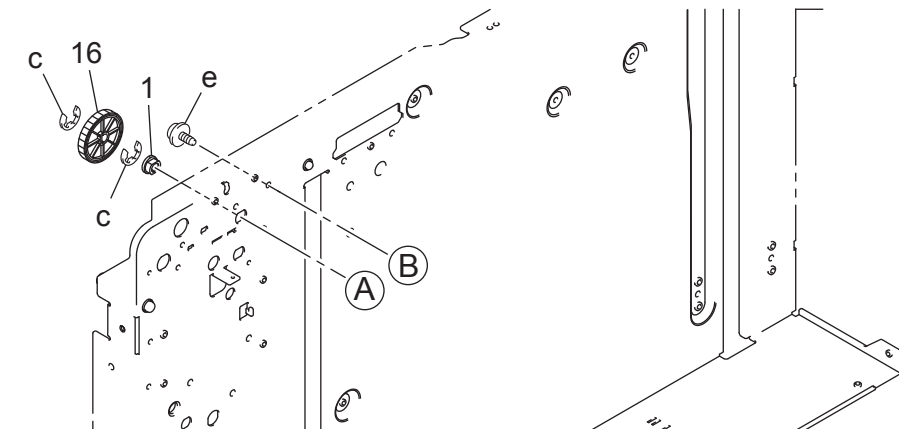
改訂版 REVISED EDITION	日付 DATE
▲	MARCH 2012



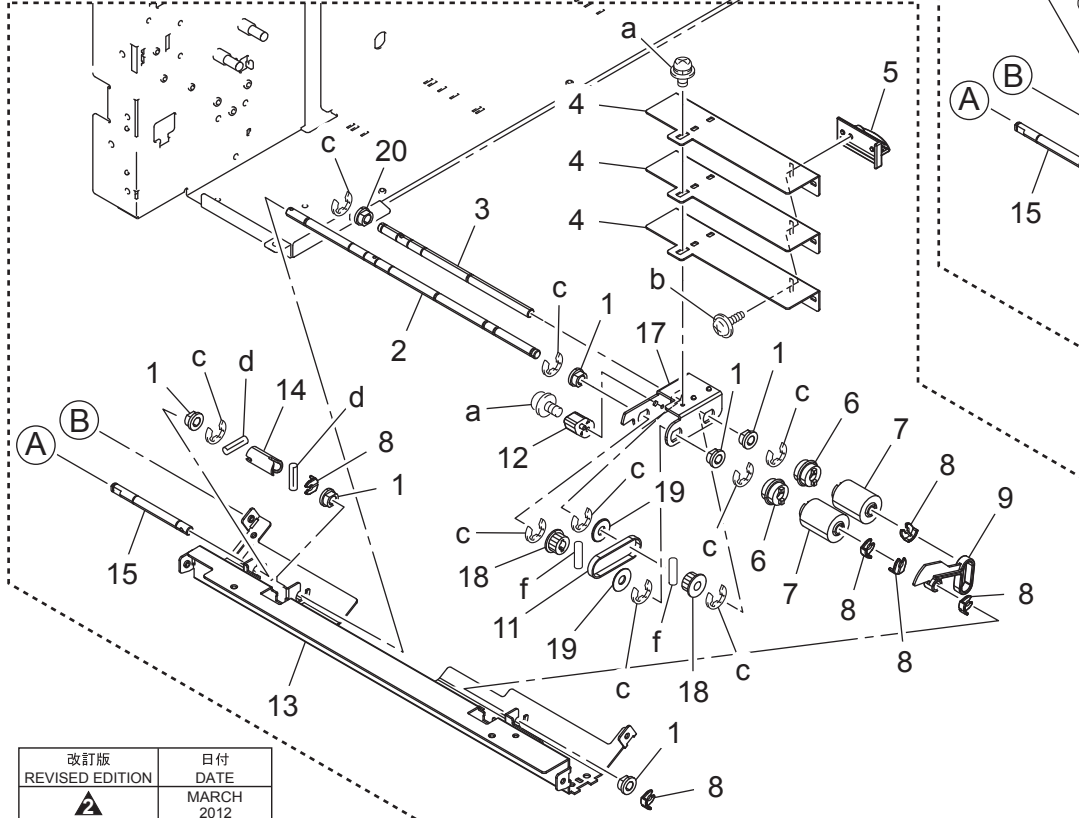
FRONT LIFT WIRE SECTION

Key	Part No.	Description	Destinations	Class	QTY	Standard parts
1	A03N101200	LOCK CLAW /R	ロック爪 / R	C	1	a-V217060001 b-V153030803 c-V217040001 d-V217030001 e-V144030603 f-V116030803 g-V217050001
2	A0TJ101000	Lock Shaft /1	ロック軸 / 1	D	1	
3	A0TJ211300	Up/down Shaft	昇降軸	D	1	
4	4014175401	BUSHING	軸受	C	1	
5	A0TJ213600	Drive Pulley	駆動プーリ	C	1	
6	A0TJ620200	Up/down Wire /S	昇降ワイヤ / S	C	1	
6	A0TJ623200	Up/down Wire /S	昇降ワイヤ / S	C	1	
7	13SU47480	WIRE PULLEY	ワイヤープーリ	C	2	
8	A0TJ620400	Auxiliary Wire	補助ワイヤ	C	1	
9	A0TJ620300	Up/down Wire /L	昇降ワイヤ / L	C	1	
9	A0TJ623300	Up/down Wire /L	昇降ワイヤ / L	C	1	
10	A03N104500	Washer	ワッシャ	C	2	
11	4014159201	WIRE PULLEY	ワイヤープーリー	C	1	
12	4014197001	HOLDER	ホルダー	C	3	
13	A03N103801	Release Handle	解除取手	C	1	
14	4969115501	SPACER	スペーサ	D	2	
15	A0TJ102500	Connecting Shaft /2	連結軸 / 2	D	1	
16	A03N100900	RELEASE PLATE /2	解除板 / 2	C	1	
17	A03N620900	Slide Plate	スライド板	C	1	
18	A0TJ620700	Slide Spring /1	スライドばね / 1	C	1	
19	A03N621800	Slide Shoulder screw	スライド段ねじ	C	2	
20	A0TJ620600	Slide Spring /1	スライドばね / 1	C	1	
21	A0TJ620800	Mounting Plate	取付板	D	1	
21	A0TJ623400	Mounting Plate	取付板	D	1	
22	A03N101100	LOCK CLAW /F	ロック爪 / F	C	1	
23	13SU10081	TRAY LOCKING SPRING	トレイロックバネ	C	1	
24	A03N104200	Regulating Spring	規制ばね	C	1	
25	A03NR7A000	TRAY RELEASE PLATE STAKE	トレイ解除板カシメ A S S Y	D	1	
26	13SU47480	WIRE PULLEY	ワイヤープーリ	C	1	
27	4014197001	HOLDER	ホルダー	C	1	

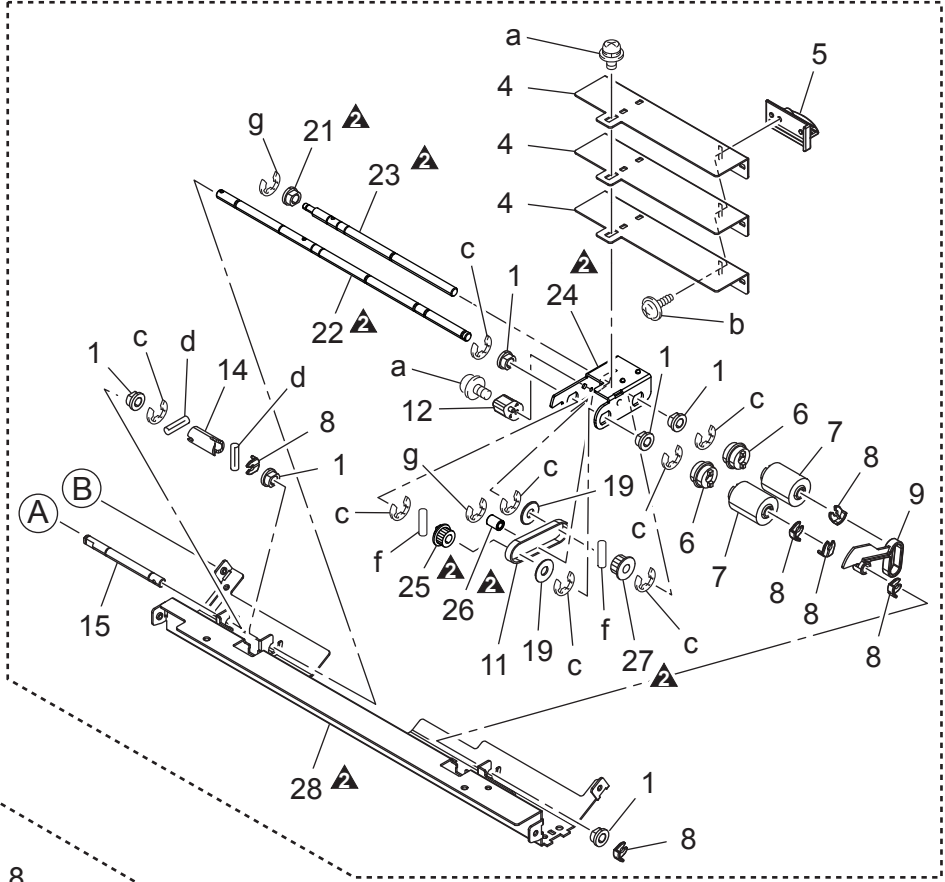
PAPER FEED SECTION



Model No. [A0TJ-WY1, A0TJ-WY2]



Model No. [A0TJ-WY3, A0TJ-WY4]



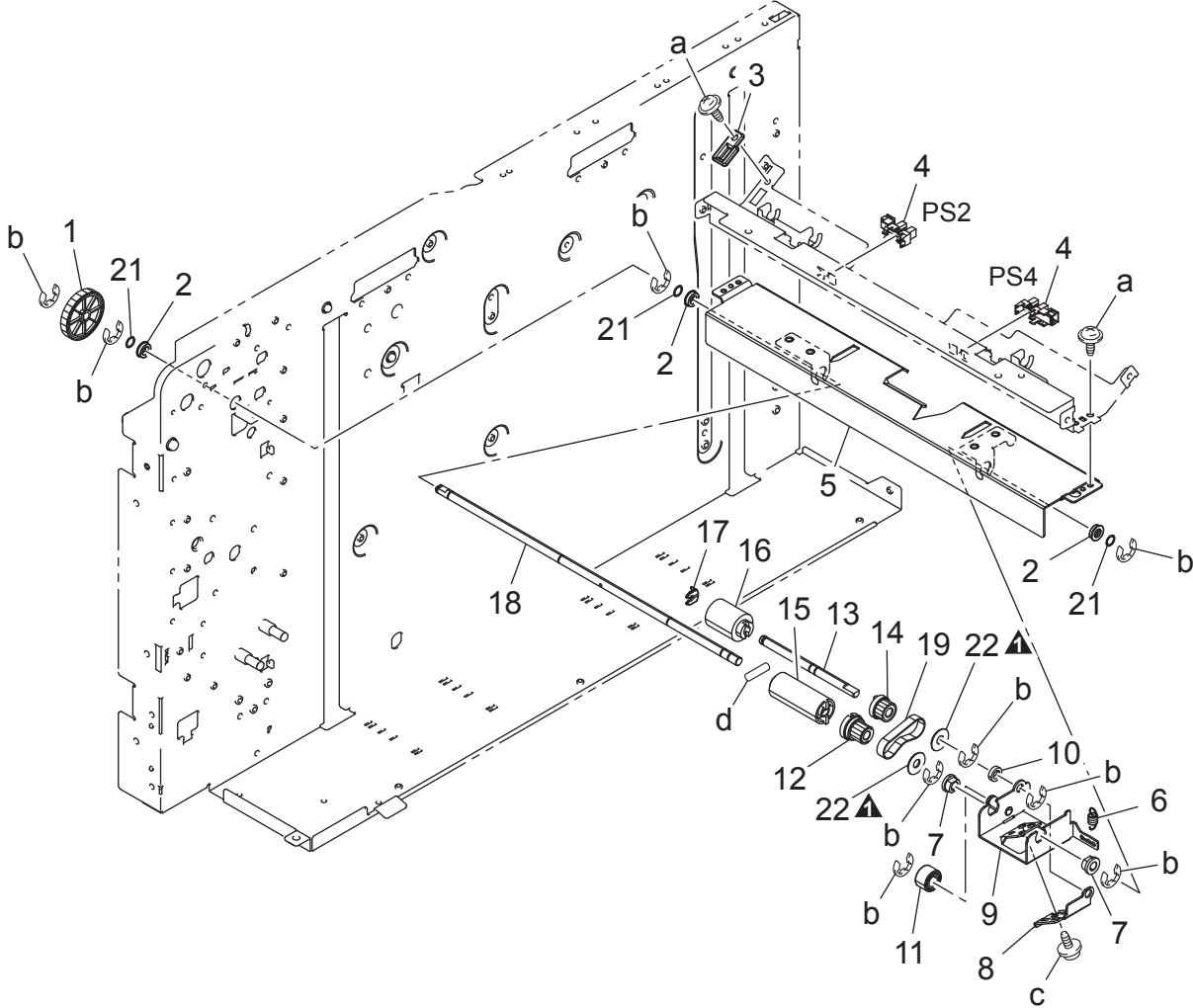
改訂版 REVISED EDITION	日付 DATE
	MARCH 2012

PAPER FEED SECTION

Key	Part No.	Description	Destinations	Class	QTY	Standard parts
1	A00J663200	Bushing		C	7	a-V116030803 b-V153030803 c-V217040001 d-V232201009 e-V144030603 f-V231200850 g-V217030001
2	A03N560700	Paper feed Shaft /2	(Model No. A0TJ-WY1 ,WY2)	D	1	
3	A03N560600	Paper feed Shaft /1	(Model No. A0TJ-WY1 ,WY2)	D	1	
4	A03N560402	Pressing Weight		D	3	
5	A03N561200	Handle		C	1	
6	A00J595600	Clutch		C	2	
7	A00J563600	Roller		A	2	
8	4024255001	STOPPER		D	6	
9	A03N560800	Actuator		C	1	
11	A00J602700	Timing belt 102L		C	1	
12	A03N561600	Stopper Part		C	1	
13	A0TJ560000	Guide Plate /ASSY	(Model No. A0TJ-WY1 ,WY2)	C	1	
14	A00J587000	Paper feed Coupling		C	1	
15	A0TJ210800	Connecting Shaft		D	1	
16	A03N210401	Gear 41T		C	1	
17	A03N560500	Mounting Plate	(Model No. A0TJ-WY1 ,WY2)	D	1	
18	A00J602800	Pulley 14T	(Model No. A0TJ-WY1 ,WY2)	C	2	
19	A0P0664000	Washer		D	2	
20	A00J663200	Bushing	(Model No. A0TJ-WY1 ,WY2)	C	1	
21	A161562500	Bushing	(Model No. A0TJ-WY3 ,WY4)	C	1	
22	A0TJ560700	Shaft /2	(Model No. A0TJ-WY3 ,WY4)	D	1	
23	A0TJ560600	Shaft /1	(Model No. A0TJ-WY3 ,WY4)	D	1	
24	A0TJ560500	Mounting Plate	(Model No. A0TJ-WY3 ,WY4)	D	1	
25	A0TJ602800	Pulley /2	(Model No. A0TJ-WY3 ,WY4)	D	1	
26	A0TJ602900	Pulley /3	(Model No. A0TJ-WY3 ,WY4)	D	1	
27	A0TJ603000	Pulley /1	(Model No. A0TJ-WY3 ,WY4)	D	1	
28	A0TJ561800	Guide Plate /ASSY	(Model No. A0TJ-WY3 ,WY4)	D	1	

PAPER FEED SECTION

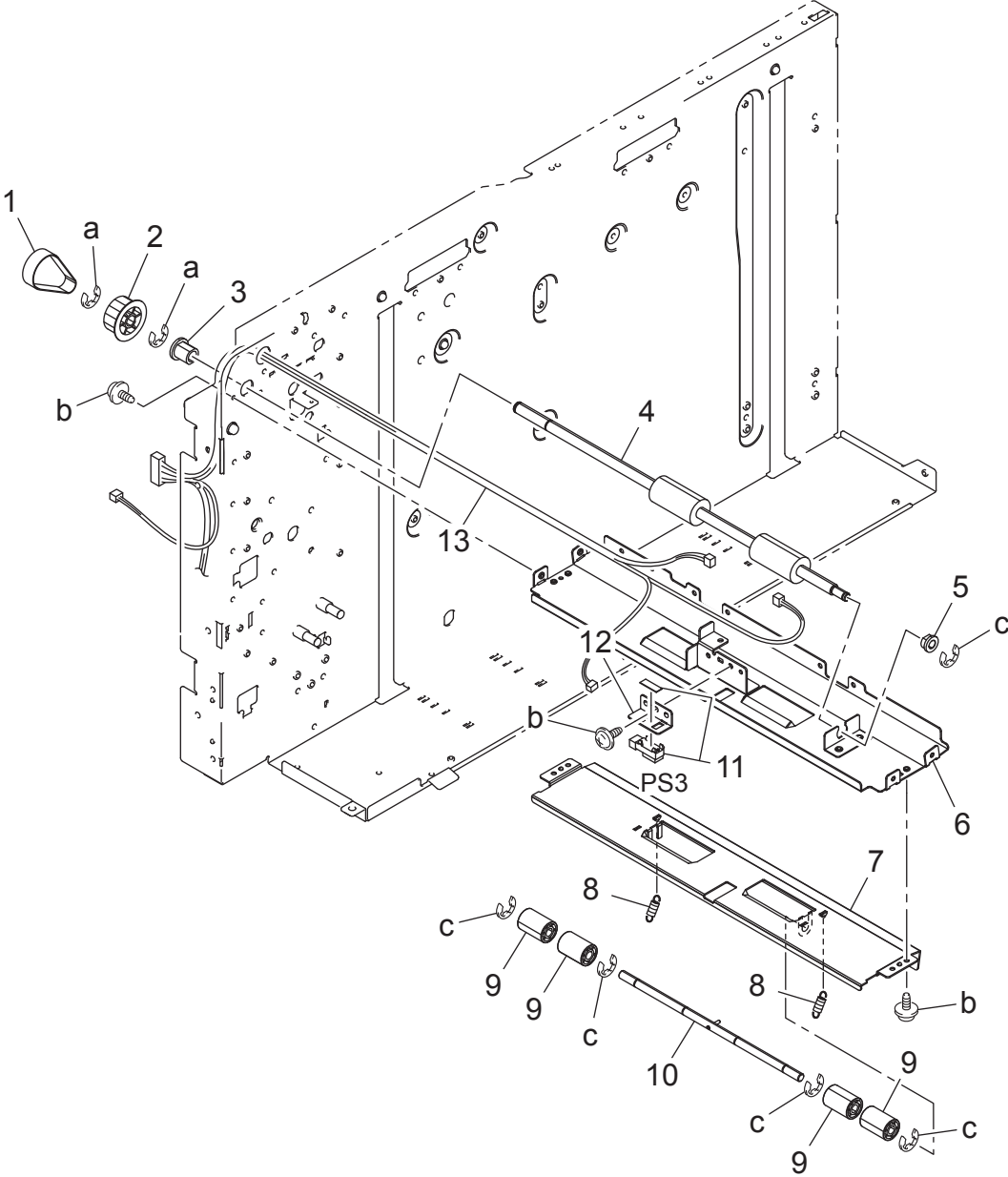
改訂版 REVISED EDITION	日付 DATE
▲	SEPTEMBER 2010



PAPER FEED SECTION

Key	Part No.	Description	Destinations	Class	QTY	Standard parts
1	A03N210401	Gear 41T		C	1	a-V144030603 b-V217040001 c-V137030603 d-V231200850
2	A00J617800	BALL BEARING		C	3	
3	A03N561100	Guide Part	(Model No. A0TJ-WY1 ,WY2)	C	1	
3	A0TJ562000	Guide Part	(Model No. A0TJ-WY3 ,WY4)	D	1	
4	9335130061	PHOTO INTERRUPTER		B	2	
5	A0TJ560100	Paper feed Plate /ASSY	(Model No. A0TJ-WY1 ,WY2)	C	1	
5	A0TJ561900	Paper feed Plate /ASSY	(Model No. A0TJ-WY3 ,WY4)	D	1	
6	A03N561001	Paper Feed Spring		C	1	
7	A00J663200	Bushing		C	2	
8	A00J601600	Multi-feed Adjusting Plate		D	1	
9	A03N561501	Mounting Plate /Assy		D	1	
10	A03N561700	Washer		D	1	
11	A00J619700	ROLL /1		C	1	
12	A00J619600Old	Pulley 14T		C	1	
12	A00J619611	Pulley 14T		C	1	
13	A03N560301	Reverse Shaft /2		D	1	
14	A00J619500	Pulley 15T		C	1	
15	A00J618500	Torque limiter		A	1	
16	A00J563600	Roller		A	1	
17	4024255001	STOPPER		D	1	
18	A0TJ560200	Reverse Shaft /1		D	1	
19	A00J619800	Timing Belt 96L		C	1	
21	A00J660800	Washer		D	3	
22	A0P0664000	Washer		D	2	

PAPER TRANSPORT SECTION

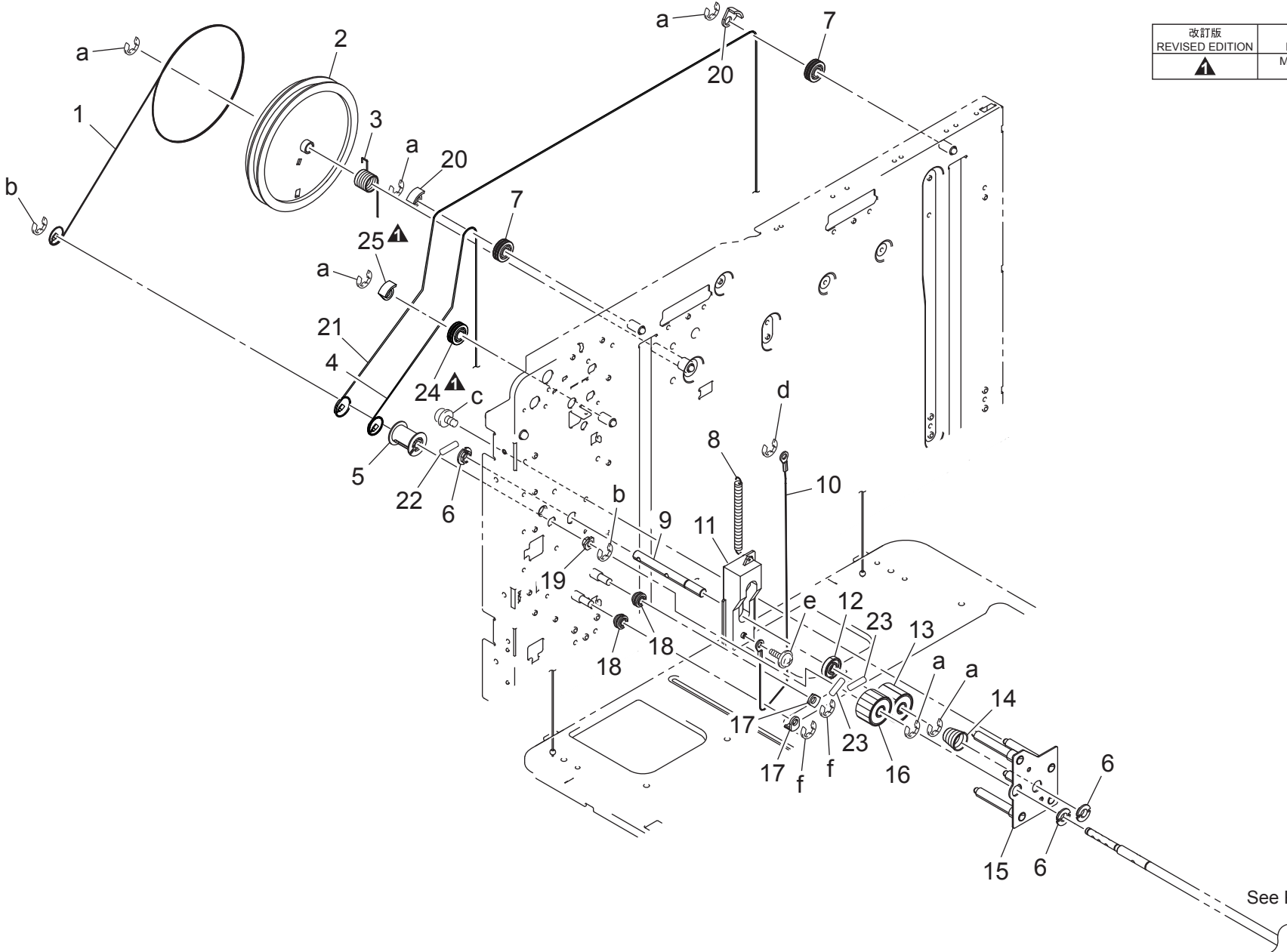


PAPER TRANSPORT SECTION

Key	Part No.	Description	Destinations	Class	QTY	Standard parts
1	A0TJ211500	Conveyance Timing belt		C	1	a-V217060001 b-V144030603 c-V217040001
2	A0TJ210300	Pulley 41T		C	1	
3	4014217301	BUSHING		C	1	
4	A0TJ700200	Conveyance Roller		A	1	
5	A00J663200	Bushing		C	1	
6	A0TJ700000	Conveyance Plate /ASSY	(Model No. A0TJ-WY1 ,WY2)	C	1	
6	A0TJ701000	Conveyance Plate /ASSY	(Model No. A0TJ-WY3 ,WY4)	D	1	
7	A0TJ700100	Conveyance Plate /Lower	(Model No. A0TJ-WY1 ,WY2)	C	1	
7	A0TJ701100	Conveyance Plate /Lower	(Model No. A0TJ-WY3 ,WY4)	D	1	
8	A03N700501	PULLING SPRING		C	2	
9	4030312201	ROLL		C	4	
10	A03N700400	Conveyance Shaft /ASSY		D	1	
11	4037090201	PHOTO INTERRUPTER		B	1	
12	A03N700300	Sensor Plate		D	1	
13	A0TJN10100	LCT Detection harness	LCT 検知束線 (LCT センサ中継)	D	1	

REAR LIFT WIRE SECTION

改訂版 REVISED EDITION	日付 DATE
▲	MARCH 2012



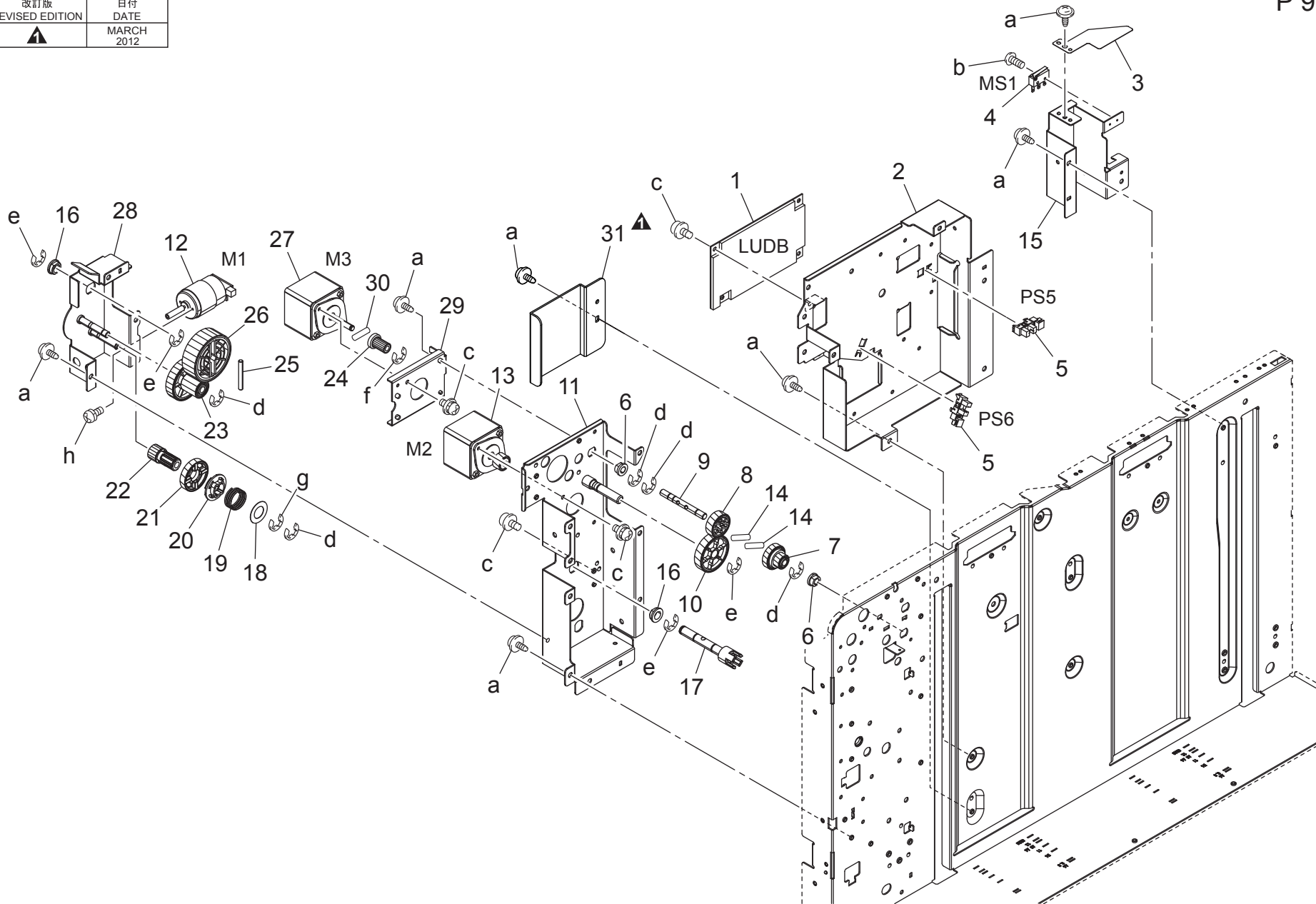
See P4-3

REAR LIFT WIRE SECTION

Key	Part No.	Description	Destinations	Class	QTY	Standard parts
1	A0TJ622600	Detecting Wire	検出ワイヤ (Model No. A0TJ-WY1, WY2)	C	1	a-V217060001 b-V217050001 c-V116030803 d-V217030001 e-V153030803 f-V217040001
1	A0TJ624400	Detecting Wire	検出ワイヤ (Model No. A0TJ-WY3, WY4)	C	1	
2	A03N621000	Level Plate	残検板	C	1	
3	A0TJ621300	Detection Spring	検知ばね (Model No. A0TJ-WY1, WY2)	C	1	
3	A0TJ623700	Detecting Spring	検出ばね (Model No. A0TJ-WY3, WY4)	C	1	
4	A0TJ620200	Up/down Wire /S	昇降ワイヤ / S (Model No. A0TJ-WY1, WY2)	C	1	
4	A0TJ623200	Up/down Wire /S	昇降ワイヤ / S (Model No. A0TJ-WY3, WY4)	C	1	
5	A0TJ213600	Drive Pulley	駆動プーリ	C	1	
6	A0TJ103200	Bushing	すべり軸受	C	3	
7	13SU47480	WIRE PULLEY	ワイヤープーリ	C	2	
8	13SU47380	RELEASE SPRING	解除バネ	C	1	
9	A0TJ213000	Drive Shaft	駆動軸	D	1	
10	13SU47260	RELEASE WIRE	解除ワイヤー	C	1	
11	13SU47300D	RELEASE PART	解除部材	C	1	
12	A0TJ105900	Slide Roll	スライどころ	D	1	
13	A0TJ211100	Gear 26T	ギア 26 T	C	1	
14	A0TJ213700	Compressing Spring	圧縮ばね	C	1	
15	A0TJR7A200	Support Plate Stake	支点板カンメ A S S Y	D	1	
16	A0TJ211200	Gear 26T	ギア 26 T	C	1	
17	13SU47410	WIRE HOLDER 1	ワイヤー押え 1	C	2	
18	12VL42390	PULLEY A	プーリ A	C	2	
19	4014175401	BUSHING	軸受	C	1	
20	4014197001	HOLDER	ホルダー	C	2	
21	A0TJ620300	Up/down Wire /L	昇降ワイヤ / L (Model No. A0TJ-WY1, WY2)	C	1	
21	A0TJ623300	Up/down Wire /L	昇降ワイヤ / L (Model No. A0TJ-WY3, WY4)	C	1	
22	A0TJ213400	Pin	ピン (Φ 4 × 25)	C	1	
23	A0TJ213300	Pin	ピン (Φ 4 × 18)	C	2	
24	13SU47480	WIRE PULLEY	ワイヤープーリ (Model No. A0TJ-WY3, WY4)	C	1	
25	4014197001	HOLDER	ホルダー (Model No. A0TJ-WY3, WY4)	C	1	

DRIVE SECTION

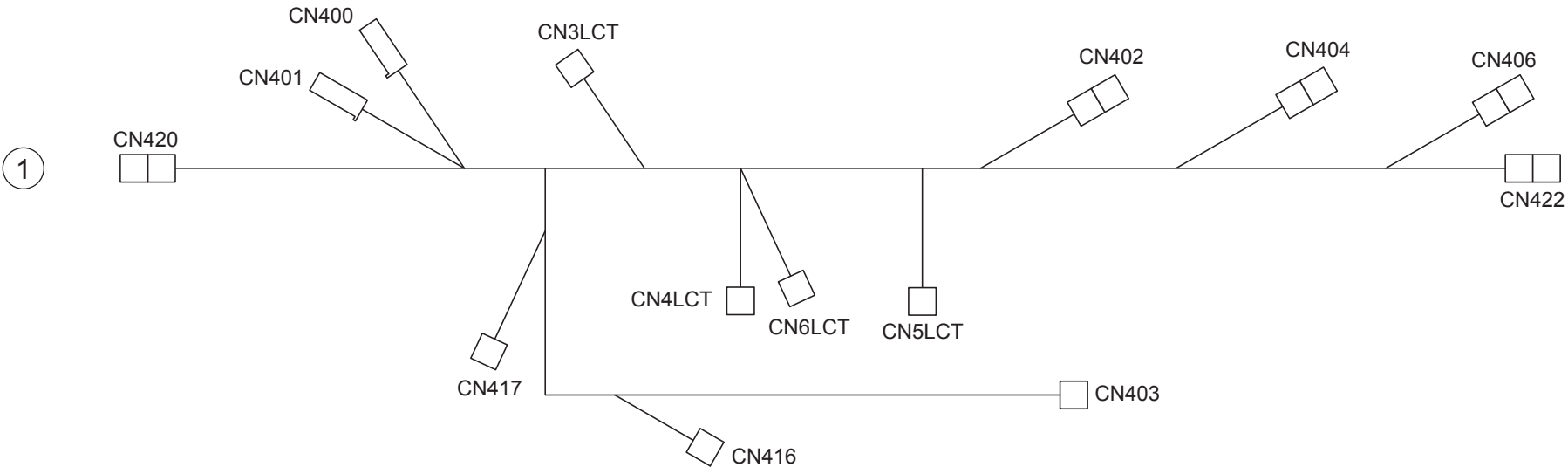
改訂版 REVISED EDITION	日付 DATE
	MARCH 2012



DRIVE SECTION

Key	Part No.	Description	Destinations	Class	QTY	Standard parts
1	A0TJH00100	PWB Assembly (PWB-LCT ASSY)	基板 A S S Y (P W B - L C T A S S Y)	I	1	a-V144030603 b-V118021003 c-V116030603 d-V217040001 e-V217060001 f-V217030001 g-V217080001 h-V115260503
2	A0TJ621100	Mounting Plate	取付板 (Model No. A0TJ-WY1 ,WY2)	D	1	
2	A0TJ623500	Mounting Plate	取付板 (Model No. A0TJ-WY3 ,WY4)	D	1	
3	13SU47470	PRESSING SPRING	センサ押圧バネ	C	1	
4	12QR86011	Interlock Switch	インターロックスイッチ	B	1	
5	9335130061	PHOTO INTERRUPTER	フォトインタラプタ	B	2	
6	A00J663200	Bushing	すべり軸受	C	2	
7	A03N210500	Gear 27/15T	ギア 27 / 15 T	C	1	
8	A03N210600	Gear 27T	ギア 27 T	C	1	
9	A03N210100	Drive Shaft	駆動軸	D	1	
10	A03N210700	Gear 43T	ギア 43 T	C	1	
11	A0TJR7A100	Drive Plate Stake	駆動板カシメ A S S Y (Model No. A0TJ-WY1 ,WY2)	D	1	
11	A0TJR7A300	Drive Paleta Stake	駆動板カシメ A S S Y (Model No. A0TJ-WY3 ,WY4)	D	1	
12	A00JR74900	MOTOR ASSY	定着圧接離間モーター	C	1	
13	A00JM12000	Stepping motor	ステッピングモーター	C	1	
14	4036301401	PIN	ピン	C	2	
15	A0TJ622500	Mounting Plate	取付板 (センサ)	D	1	
16	4131353202	BUSHING	軸受	C	2	
17	A0TJ211701	Up/down Shaft	昇降軸	D	1	
18	A0TJ212400	Washer	ワッシャ	C	1	
19	A0TJ212800	Compressing Spring	圧縮ばね	C	1	
20	A0TJ212700	Cam	カム	C	1	
21	A0TJ212000	Gear 75T	ギア 75 T	C	1	
22	A0TJ212100	Gear 16T	ギア 16 T	C	1	
23	A0TJ211900	Gear 16/48T	ギア 16 / 48 T	C	1	
24	A0TJ213100	Conveyance Pulley	搬送プーリ (モーター)	C	1	
25	A0TJ213500	Pin	ピン (Φ 4 × 3 2)	C	1	
26	A0TJ211600	Gear 46T	ギア 46 T	C	1	
27	A0TJM12400	Stepping motor	ステッピングモーター (HB モーター)	C	1	
28	A0TJR7A000	Bracket Stake	取付板カシメ A S S Y	D	1	
29	A0TJ212500	Mounting Plate	取付板 (搬送モーター)	D	1	
30	A0TJ212900	Pin	ピン	C	1	
31	A0TJ562100	Protection Plate	保護板 (Model No. A0TJ-WY3 ,WY4)	D	1	

WIRING

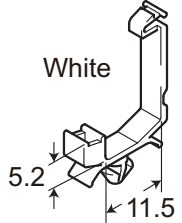
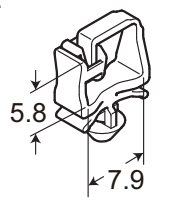
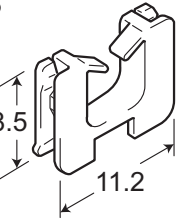
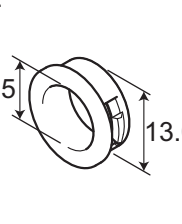


WIRING

Key	Part No.	Description	Destinations	Class	QTY	Standard parts
1	A0TJN10001	LCT Wiring	LCT 束線	D	1	
2	A0TJN10200	LCT Relay harness	LCT 中継束線 (LCT 中継)	D	1	
2	A0TJN10300	LCT Relay harness /2	LCT 中継束線 / 2 (LCT 中継)	D	1	

WIRING ACCESSORIES AND JIGS

P 11

<p>1</p>  <p>White</p> <p>5.2</p> <p>11.5</p>	6	11	16	21	26	31	36
<p>2</p>  <p>5.8</p> <p>7.9</p>	7	12	17	22	27	32	37
<p>3</p>  <p>8.5</p> <p>11.2</p>	8	13	18	23	28	33	38
<p>4</p>  <p>9.5</p> <p>13.0</p>	9	14	19	24	29	34	39
5	10	15	20	25	30	35	40

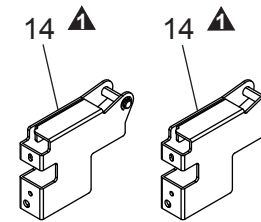
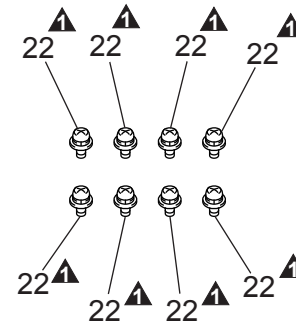
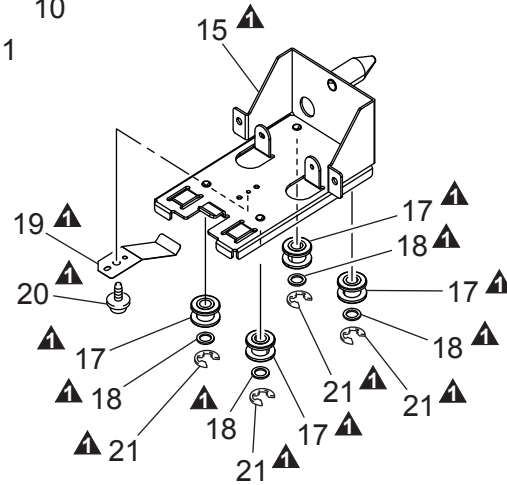
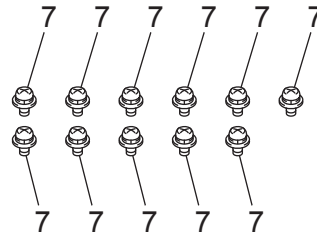
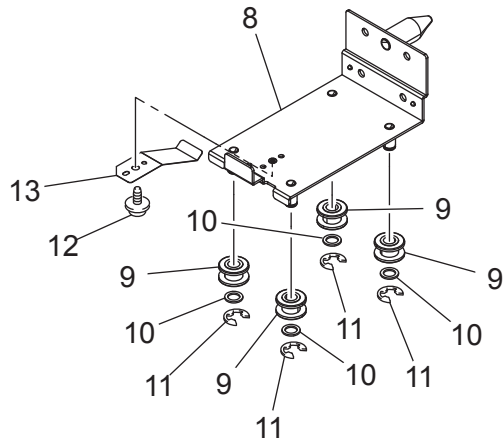
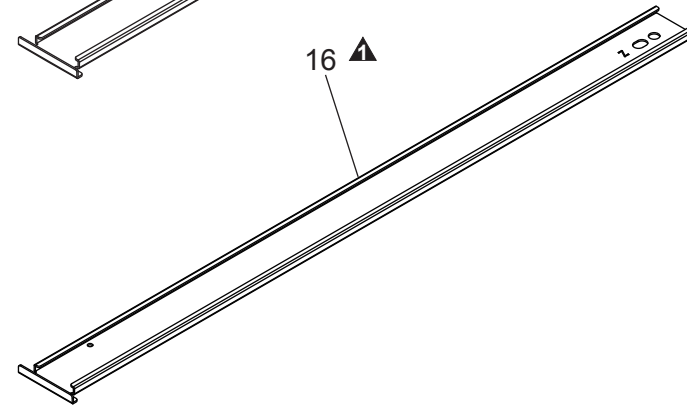
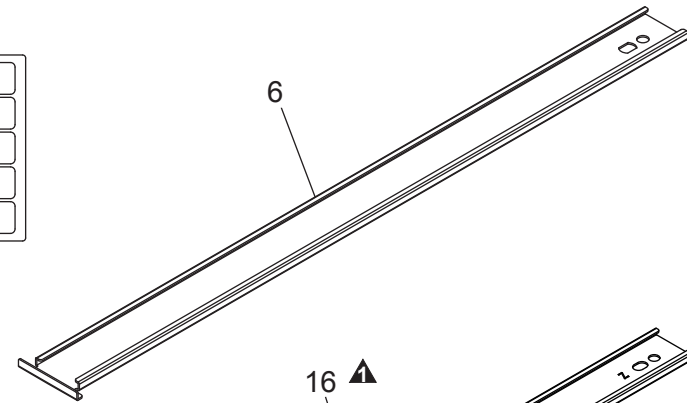
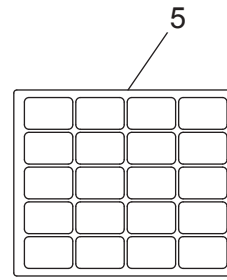
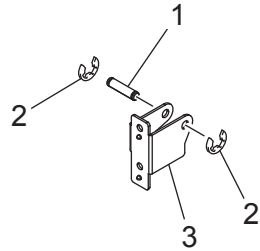
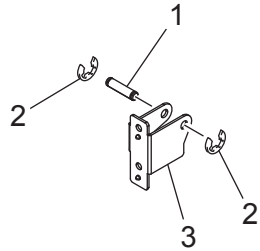
WIRING ACCESSORIES AND JIGS

Key	Part No.	Description	Destinations	Class	QTY	Standard parts
1	V500010081	Locking Wire Saddle		D		
2	V500020098	Mini Locking wire saddle		D		
3	V570010021	Saddle		D		
4	V570010035	Bushing		D		

ACCESSORY PARTS

P 12

改訂版 REVISED EDITION	日付 DATE
▲	MARCH 2012



MAINTENANCE LIST

● The items with no Page/Key numbers are not handled as spare parts.

No.	Section	PM Parts Description	Maintenance Cycle (K=1,000)		Parts No.	Destinations	Page/Key	Note
			QTY	Replace				
1	Feed section	Pick-up roller	1	300K	A00J563600		P5-7	
2		Feed roller	1	300K	A00J563600		P5-7	
3		Separation roller	1	300K	A00J563600		P6-16	

メンテナンスリスト

● ページ / キーナンバーのないものは、アフターサービス部品ではありません。

No.	区分	PM 部品名称	サイクル (K=1,000)		部品番号	仕向地	頁 / キー	備考
			員数	交換				
1	給紙部	ピックアップローラ	1	300K	A00J563600		P5-7	
2		給紙ローラ	1	300K	A00J563600		P5-7	
3		分離ローラ	1	300K	A00J563600		P6-16	

DESTINATION

Destination No.		Destinations		V	Hz	Model No.
A	A1	JAPAN		100	50/60	A0TJ-WY1/ A0TJ-WY3
	A2	JAPAN		200	50/60	
B		USA, CANADA		120	60	A0TJ-WY2/ A0TJ-WY4
C		EUROPEAN TYPE		220-240	50/60	A0TJ-WY1/ A0TJ-WY3
D	D1	S.E ASIA TYPE	THAILAND, SRI LANKA, SINGAPORE, MALAYSIA, HONG KONG, PAKISTAN, INDIA, BANGLADESH, INDONESIA	220-240	50/60	A0TJ-WY1/ A0TJ-WY3
	D3	OCEANIA TYPE	AUSTRALIA, NEW ZEALAND	220-240	50/60	A0TJ-WY1/ A0TJ-WY3
E		PHILIPPINES		220-240	50/60	A0TJ-WY3
F	F1	SAUDI ARABIA		127	60	A0TJ-WY1
	F2	SAUDI ARABIA		220-240	50/60	A0TJ-WY1/ A0TJ-WY3
G	G1	C.S AMERICA		220-240	50/60	A0TJ-WY1/ A0TJ-WY3
	G2	C.S AMERICA		120	60	A0TJ-WY2/ A0TJ-WY4
H		TAIWAN		110	60	A0TJ-WY1/ A0TJ-WY3
I		JORDAN, LEBANON, SYRIA, SOUTH AFRICA, IRAQ, IRAN, N.YEMEN, CAMEROON, UAE, BAHRAIN, OMAN, QATAR, KUWAIT, KENYA, TUNISIA, IVORY COAST, MOROCCO		220-240	50/60	A0TJ-WY1/ A0TJ-WY3

Destination No.	Destinations	V	Hz	Model No.
J	CHINA	220-240	50/60	A0TJ-WY1/ A0TJ-WY3
K	KOREA	220-240	50/60	A0TJ-WY1/ A0TJ-WY3