

KONICA MINOLTA

PARTS GUIDE MANUAL

DECEMBER 2015

DF-624
A3CF

INFORMATION FOR PARTS GUIDE MANUAL

To find correct Parts No., refer to the "HOW TO MAKE THE BEST USE OF THIS MANUAL" in the following page.

HOW TO MAKE THE BEST USE OF THIS MANUAL

- 1 When you order, please check the proper figures beforehand that are on Our Parts Guide Manual, and order with the appropriate figures.
- 2 For screws, Nuts, Washers, retaining rings and Pins which are used in this model, one letter is shown on the Standard parts column of Parts list and exploded diagrams.
- 3 In order to maintain safety of the product, some specific parts composed of this product are set up as "essential safety parts".
- 4 The assigned parts number for the "essential safety parts" is indicated as "SP00-****".
When replacing these parts, follow precautions for disassembling and installing which are listed in the Service Manual.
Do not use any parts that are not set up as
- 5 ♣ means that there are exclusive parts for each destination.
Please check the appropriate destination when you order.
- 6 Revision Mark
Marked as ▲ on the illustration shows that the revision has been made.
- 7 All rights reserved. (any reprints or quotations are prohibited.)
Use of this parts guide manual should be strictly supervised to avoid disclosure of confidential information.

パーツガイドマニュアルのご案内

サービス部品をご発注の際には、下記に示す“パーツガイドマニュアルの活用にあたって”をご参照の上、正しい部品番号にてお願い致します。

パーツガイドマニュアルの活用にあたって

- 1 部品発注の際には、掲載されている部品番号の桁数を確認し、掲載されている桁数で発注願います。
- 2 この製品に使用されているネジ、ナット、ワッシャー、止め輪、ピンなどは、リストの右側の Standard parts 欄に a,b,c,…… で表示し、イラストにも a,b,c,…… 表示してあります。
- 3 製品の安全性を維持する為に、製品に使用される特定の部品を「重要保安部品」として設定しています。
- 4 重要保安部品の部品番号は、“SP00-****”と記載されていますので、部品交換時は、サービスマニュアル記載の分解・組み立ての注意事項に従って作業をして下さい。
また、指定以外の部品は一切使用しないで下さい。
- 5 本文に ♣ が表示されている部品は、仕向け地毎に専用部品がある事を意味しています。
オーダーされる時は、仕向け地を確認して下さい。
- 6 改訂記号について
イラスト上に ▲ 印が表示されている部分は、改訂された事を表します。
- 7 著作権所有（無断転載及び無断引用の禁止）
本パーツガイドマニュアルについては、機密保持等その扱いには十分注意して下さい。万一取り扱いを誤った場合には、法律で処罰されることがあります。

CONTENTS

No.	DESCRIPTION	名称	PAGE No.
1	EXTERNAL PARTS	外装部	P1 P2
2	PAPER FEED TRAY SECTION	給紙トレイ部	P3
3	PAPER TAKE-UP SECTION	給紙部	P4 P5 P6
4	PAPER TRANSPORT SECTION	搬送部	P7 P8 P9 P10 P11 P12
5	WIRING ACCESSORIES AND JIGS	配線部品・治具	P13
6	ACCESSORY PARTS	同梱部品	P14

INDEX

Parts No.	Page No.
A143PP5J01	5-11
A143PP5K01	5-12
A143PP5M01	5-13
A143PP5R04	4-3
A143PP5T03	6-8
A143PP5U03	6-7
A143PP5V00	4-4
A143PP5X00	4-8
A143PP5Y01	6-14
A143PP6100	4-5
A143PP6601	6-25
A143PP6800	5-7
A143PP6800	10-10
A143PP6900	5-3
A143PP6F01	3-8
A143PP6K01	3-14
A143PP6M01	3-12
A143PP6X00	3-13
A143PP7301	5-18
A143PP7900	10-9
A143PP8500	11-6
A143PP8600	11-11
A143PP8F00	11-8
A143PP9300	7-8
A143PP9G00	6-6
A3CEPP3301	8-27
A3CF103400	7-27
A3CF103400	8-20
A3CF113900	14-1
A3CF116100	14-4
A3CF116400	14-2
A3CF213300	8-3
A3CFPP1002	9-18
A3CFPP1102	9-16
A3CFPP1202	9-17
A3CFPP1300	9-13
A3CFPP1401	9-12
A3CFPP1505	12-1
A3CFPP1600	6-28
A3CFPP1700	5-20
A143PP4F01	10-7
A143PP4G01	10-6
A143PP4H01	8-16
A143PP4Y00	6-19
A143PP5000	6-17
A143PP5101	6-18
A143PP5200	6-13
A143PP5301	6-12
A143PP5403	6-20
A143PP5601	6-24
A143PP5901	6-23
A143PP5A00	6-16
A143PP5B01	6-22
A143PP5F01	4-2
9J06M10000	1-3
9J06PJG100	13-1
A108M50000	3-5
A108M50100	3-4
A108M50100	5-2
A108M50100	8-13
A108M50100	9-3
A108M50100	10-5
A143114600	14-3
A143563100	6-26
A143563300	6-15
A143PP1A01	10-2
A143PP1B00	5-4
A143PP1B00	10-3
A143PP1M00	7-16
A143PP1M00	8-5
A143PP1R00	11-3
A143PP1X00	12-7
A143PP1Y00	5-6
A143PP1Y00	10-1
A143PP2502	11-7
A143PP2801	2-8
A143PP2901	2-7
A143PP2C00	11-4
A143PP3P01	12-10
A143PP4D02	8-9

Parts No.	Page No.
A3CFPP1803	8-30
A3CFPP1901	10-8
A3CFPP1902	10-8
A3CFPP1A00	11-5
A3CFPP1B00	11-2
A3CFPP1C01	12-2
A3CFPP1D00	7-20
A3CFPP1E01	7-21
A3CFPP1F01	7-19
A3CFPP1G00	8-11
A3CFPP1H01	7-25
A3CFPP1J01	6-4
A3CFPP1J01	7-22
A3CFPP1K01	9-5
A3CFPP1M01	10-4
A3CFPP1N02	12-8
A3CFPP1N03	12-8
A3CFPP1P00	9-19
A3CFPP1Q00	12-4
A3CFPP1R00	12-3
A3CFPP1S03	1-6
A3CFPP1T01	11-15
A3CFPP1U01	11-17
A3CFPP1V03	11-14
A3CFPP1X01	11-10
A3CFPP1Y00	1-8
A3CFPP2100	11-18
A3CFPP2301	2-4
A3CFPP2400	11-16
A3CFPP2500	11-19
A3CFPP2602	1-9
A3CFPP2704	1-5
A3CFPP2906	11-9
A3CFPP2A01	2-2
A3CFPP2B00	8-12
A3CFPP2C00	7-5
A3CFPP2E00	7-18
A3CFPP2E00	8-8
A3CFPP2H01	10-10
A3CFPP2L00	11-20
A3CFPP2N00	2-6
A3CFPP2P01	2-5
A3CFPP2Q01	9-20
A3CFPP2R00	2-3
A3CFPP2T01	11-1
A3CFPP2U01	11-12
A3CFPP2X00	9-11
A3CFPP3002	9-7
A3CFPP3100	9-1
A3CFPP3203	1-1
A3CFPP3303	1-7
A3CFPP3400	7-23
A3CFPP3500	7-26
A3CFPP3600	8-6
A3CFPP3700	8-7
A3CFPP3800	7-24
A3CFPP3900	7-13
A3CFPP3A00	7-11
A3CFPP3B00	7-14
A3CFPP3C00	7-12
A3CFPP3D01	7-9
A3CFPP3E01	8-2
A3CFPP3F01	7-6
A3CFPP3G00	7-4
A3CFPP3H00	7-15
A3CFPP3J01	7-17
A3CFPP3J01	8-4
A3CFPP3K00	7-3
A3CFPP3M00	12-11
A3CFPP3P01	7-10
A3CFPP3R00	7-7
A3CFPP3S02	9-2
A3CFPP3T00	12-9
A3CFPP3U00	9-15
A3CFPP3V01	9-10
A3CFPP3X00	9-9
A3CFPP3Y01	9-4
A3CFPP4000	9-14
A3CFPP4101	9-8
A3CFPP4202	8-24
A3CFPP4301	8-22
A3CFPP4400	8-10
A3CFPP4500	8-25
A3CFPP4600	8-26
A3CFPP4700	8-18
A3CFPP4800	8-15
A3CFPP4900	8-17
A3CFPP4A00	8-21
A3CFPP4B00	8-23
A3CFPP4C00	8-19
A3CFPP4F00	8-28
A3CFPP4G00	6-34
A3CFPP4H00	6-33
A3CFPP4L00	6-32
A3CFPP4M05	6-31
A3CFPP4N00	6-35
A3CFPP4P00	6-29
A3CFPP4Q00	6-30
A3CFPP4S01	6-27
A3CFPP4T01	5-14
A3CFPP4U01	5-15
A3CFPP4V00	5-10
A3CFPP4X01	5-9
A3CFPP4Y04	4-1
A3CFPP5002	4-9
A3CFPP5200	5-8
A3CFPP5300	4-6
A3CFPP5400	5-16
A3CFPP5502	12-6
A3CFPP5801	6-5
A3CFPP5A00	4-7
A3CFPP5B01	3-2
A3CFPP5B02	3-2
A3CFPP5C01	3-6
A3CFPP5D01	3-11
A3CFPP5D02	3-11
A3CFPP5E03	3-10
A3CFPP5F03	3-3
A3CFPP5G03	3-1
A3CFPP5H01	3-7

Parts No.	Page No.
A3CFPP4301	8-22
A3CFPP4400	8-10
A3CFPP4500	8-25
A3CFPP4600	8-26
A3CFPP4700	8-18
A3CFPP4800	8-15
A3CFPP4900	8-17
A3CFPP4A00	8-21
A3CFPP4B00	8-23
A3CFPP4C00	8-19
A3CFPP4F00	8-28
A3CFPP4G00	6-34
A3CFPP4H00	6-33
A3CFPP4L00	6-32
A3CFPP4M05	6-31
A3CFPP4N00	6-35
A3CFPP4P00	6-29
A3CFPP4Q00	6-30
A3CFPP4S01	6-27
A3CFPP4T01	5-14
A3CFPP4U01	5-15
A3CFPP4V00	5-10
A3CFPP4X01	5-9
A3CFPP4Y04	4-1
A3CFPP5002	4-9
A3CFPP5200	5-8
A3CFPP5300	4-6
A3CFPP5400	5-16
A3CFPP5502	12-6
A3CFPP5801	6-5
A3CFPP5A00	4-7
A3CFPP5B01	3-2
A3CFPP5B02	3-2
A3CFPP5C01	3-6
A3CFPP5D01	3-11
A3CFPP5D02	3-11
A3CFPP5E03	3-10
A3CFPP5F03	3-3
A3CFPP5G03	3-1
A3CFPP5H01	3-7

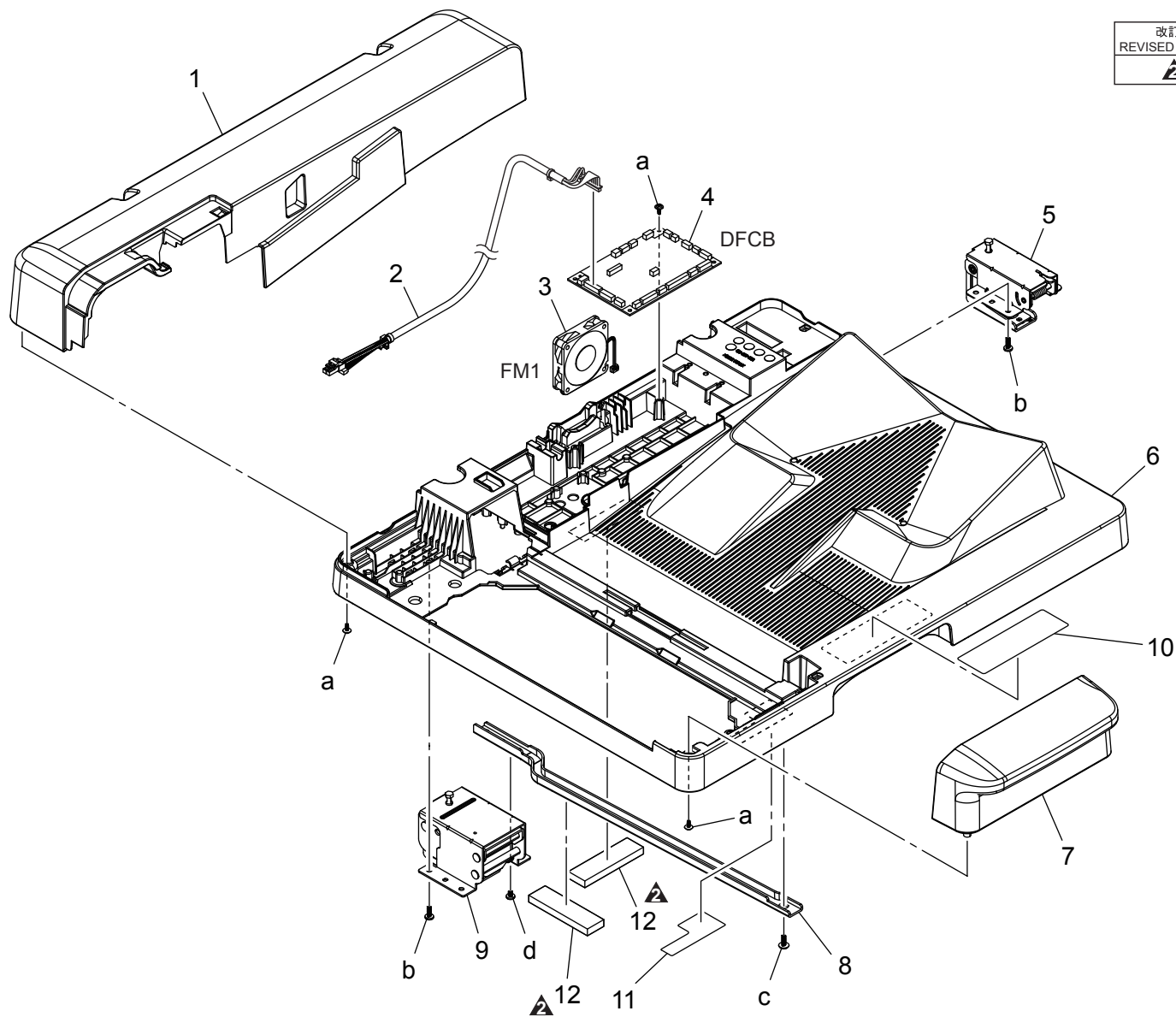
Parts No.	Page No.
A3CFPP5J01	3-9
A3CFPP5K01	5-1
A3CFPP5L00	5-5
A3CFPP5N01	4-11
A3CFPP5Q00	1-4
A3CFPP5R00	8-14
A3CFPP5S00	7-2
A3CFPP5T00	8-1
A3CFPP5U01	7-1
A3CFPP5V01	5-19
A3CFPP5X02	3-15
A3CFPP5Y01	10-11
A3CFPP6000	9-21
A3CFPP6102	10-12
A3CFPP6300	8-31
A3CFPP6403	8-29
A3CFPP6500	11-22
A3CFPP6600	11-23
A3CFPP6701	7-28
A3CFPP6801	7-29
A3CFPP6900	1-2
A3CFPP6A00	11-21
A3CFPP6B00	2-1
A3CFPP6C00	5-17
A3CFPP6F00	12-5
A3CFPP6J00	9-6
A3CFPP6L00	6-36
A3CFPP6M00	9-22
A3CFPP6N00	9-23
A3CFPP6P00	1-10
A3CFPP6Q00	1-11
A3CFPP6S00	3-16
A3CFPP6U00	4-10
A3CFPP6V00	6-37
A3CFPP6X00	6-39
A3CFPP6Y00	6-40
A3CFPP7000	6-38
A3CFPP7100	1-12
A3CFPP7500	4-12
A3CFPP7600	7-30

Parts No.	Page No.
A7V7PP1300	11-13

EXTERNAL PARTS

改訂版 REVISED EDITION	日付 DATE
	JUNE 2014

P 1



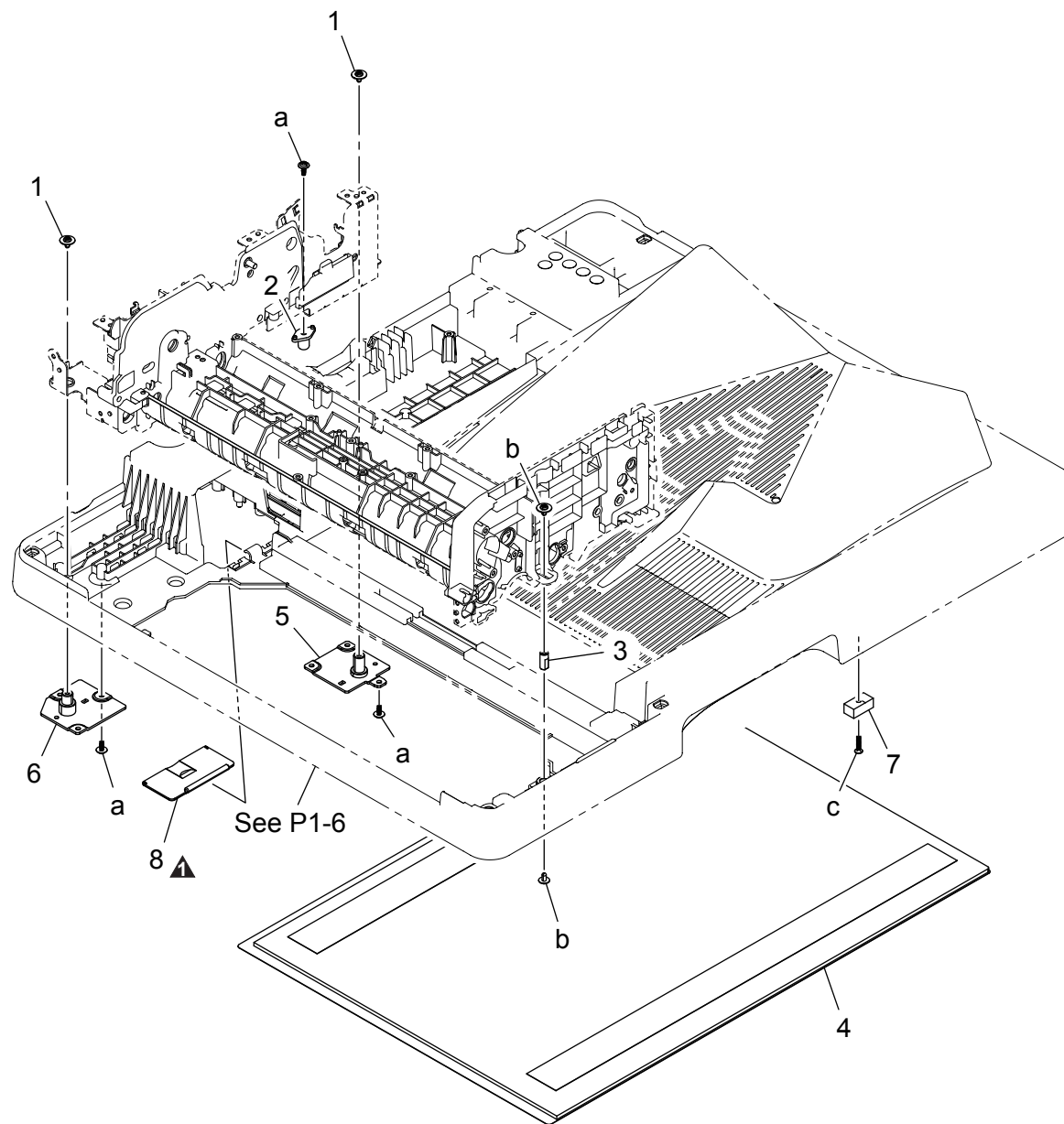
EXTERNAL PARTS

Key	Part No.	Description	Destinations	Class	QTY	Standard parts
1	A3CFPP3203	Rear Cover		C	1	a-A3CFPP2G00 b-A3CFPP7200 c-A143PP8E01 d-A3CFPP7300
2	A3CFPP6900	Wire Harness Assy		D	1	
3	9J06M10000	FAN MOTOR		C	1	
4	A3CFPP5Q00	PW Board Assy		I	1	
5	A3CFPP2704	Hinge-R		C	1	
6	A3CFPP1S03	Base Frame		D	1	
7	A3CFPP3303	Front Cover		C	1	
8	A3CFPP1Y00	Reinforce Plate		D	1	
9	A3CFPP2602	Hinge-L		C	1	
10	A3CFPP6P00	Label		C	1	
11	A3CFPP6Q00	Label		C	1	
12	A3CFPP7100	Sponge		C	2	

EXTERNAL PARTS

P 2

改訂版 REVISED EDITION	日付 DATE
	AUGUST 2014



DF-624

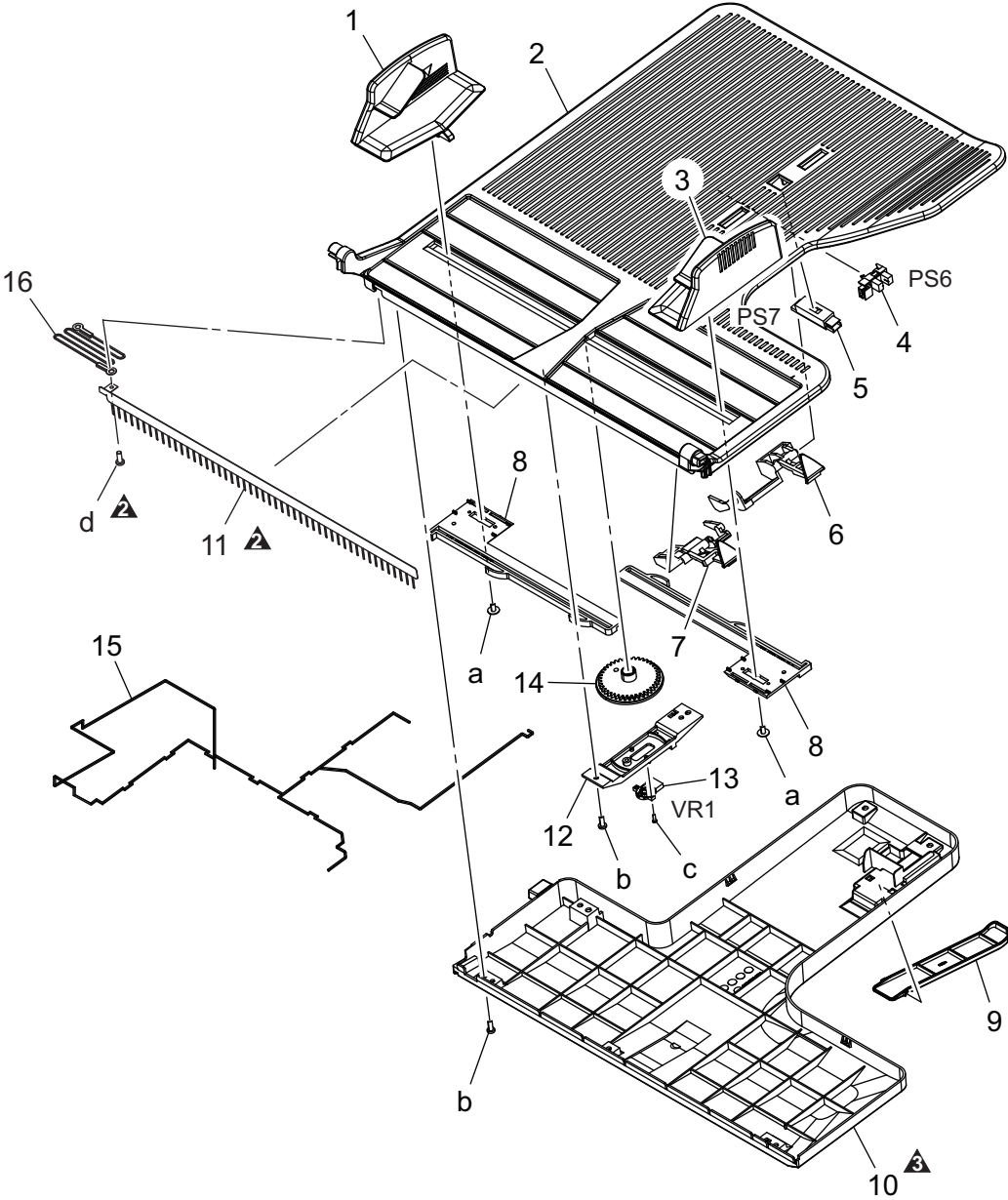
EXTERNAL PARTS

Key	Part No.	Description	Destinations	Class	QTY	Standard parts
1	A3CFPP6B00	Screw		C	2	a-A3CFPP2G00 b-A143PP7M00 c-A143PP0C00
2	A3CFPP2A01	Shaft		D	1	
3	A3CFPP2R00	Guide		C	1	
4	A3CFPP2301	White Sheet		C	1	
5	A3CFPP2P01	Bracket		D	1	
6	A3CFPP2N00	Bracket		D	1	
7	A143PP2901	Magnet		D	1	
8	A143PP2801	Cover		C	1	

PAPER FEED TRAY SECTION

P 3


改訂版 REVISED EDITION	日付 DATE
	FEBRUARY 2015

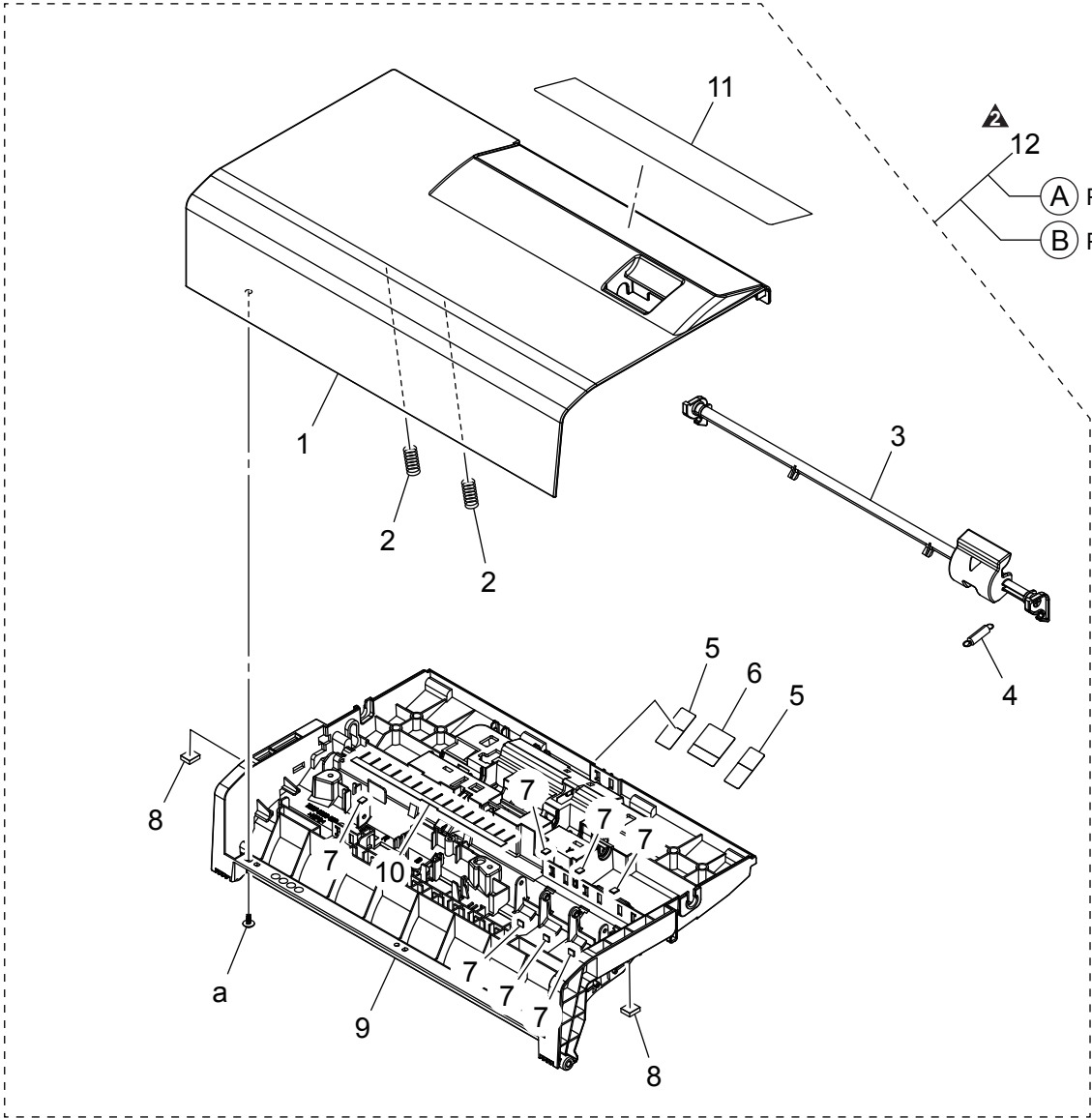


PAPER FEED TRAY SECTION

Key	Part No.	Description	Destinations	Class	QTY	Standard parts
1	A3CFPP5G03	Regulating Plate		C	1	a-A143PP0B00 b-A143PP0A00 c-A143PP8R00 d-A143PP7P00
2	A3CFPP5B01Old	Cover		C	1	
2	A3CFPP5B02	Cover		C	1	
3	A3CFPP5F03	Regulating Plate		C	1	
4	A108M50100	Photointerrupter		C	1	
4	A108M50100	透過型センサ		B	1	
5	A108M50000	Photoreflector		B	1	
6	A3CFPP5C01	Lever		C	1	
7	A3CFPP5H01	Lever		C	1	
8	A143PP6F01	Rack		C	2	
9	A3CFPP5J01	Lever		C	1	
10	A3CFPP5E03	Tray		C	1	
11	A3CFPP5D01Old	Neutralizing Brush		C	1	
11	A3CFPP5D02	Neutralizing Brush		C	1	
12	A143PP6M01	Holder		D	1	
13	A143PP6X00	PW Board Assy		C	1	
14	A143PP6K01	Gear 40T		C	1	
15	A3CFPP5X02	Wire Harness Assy		D	1	
16	A3CFPP6S00	Ground Wire		D	1	

PAPER TAKE-UP SECTION

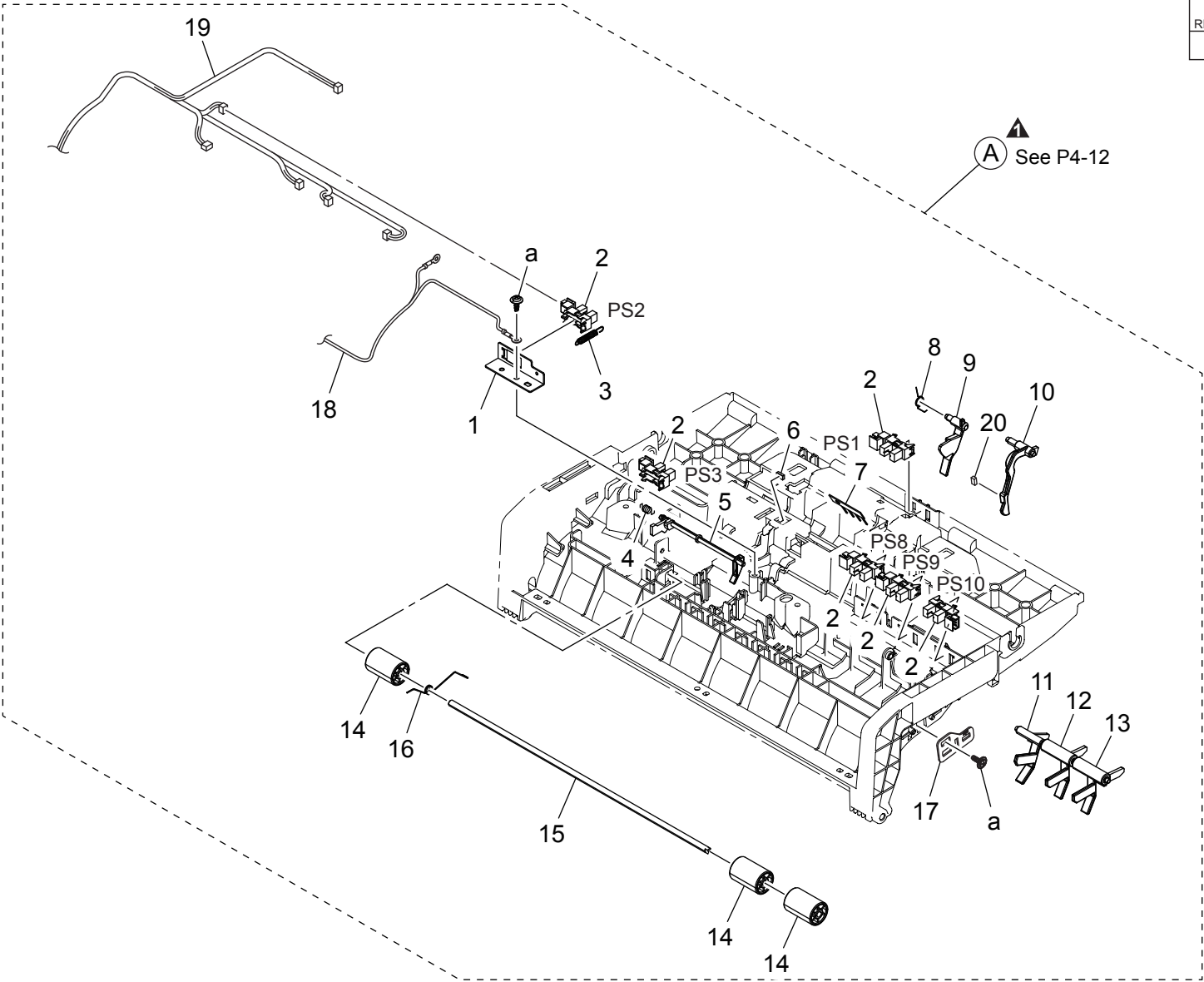
改訂版 REVISED EDITION	日付 DATE
	FEBRUARY 2015



Key	Part No.	Description	Destinations	Class	QTY	Standard parts
1	A3CFPP4Y04	Left Cover		C	1	a-A3CFPP2G00
2	A143PP5F01	Pressure Spring		C	2	
3	A143PP5R04	Knob		C	1	
4	A143PP5V00	Tension Spring		C	1	
5	A143PP6100	Film		C	2	
6	A3CFPP5300	Film		C	1	
7	A3CFPP5A00	Sponge		C	7	
8	A143PP5X00	Sponge		C	2	
9	A3CFPP5002	Cover		D	1	
10	A3CFPP6U00	NEUTRALIZING BRUSH		C	1	
11	A3CFPP5N01	Label		C	1	
12	A3CFPP7500	Left Cover Assy		D	1	

PAPER TAKE-UP SECTION

改訂版 REVISED EDITION	日付 DATE
▲	FEBRUARY 2015



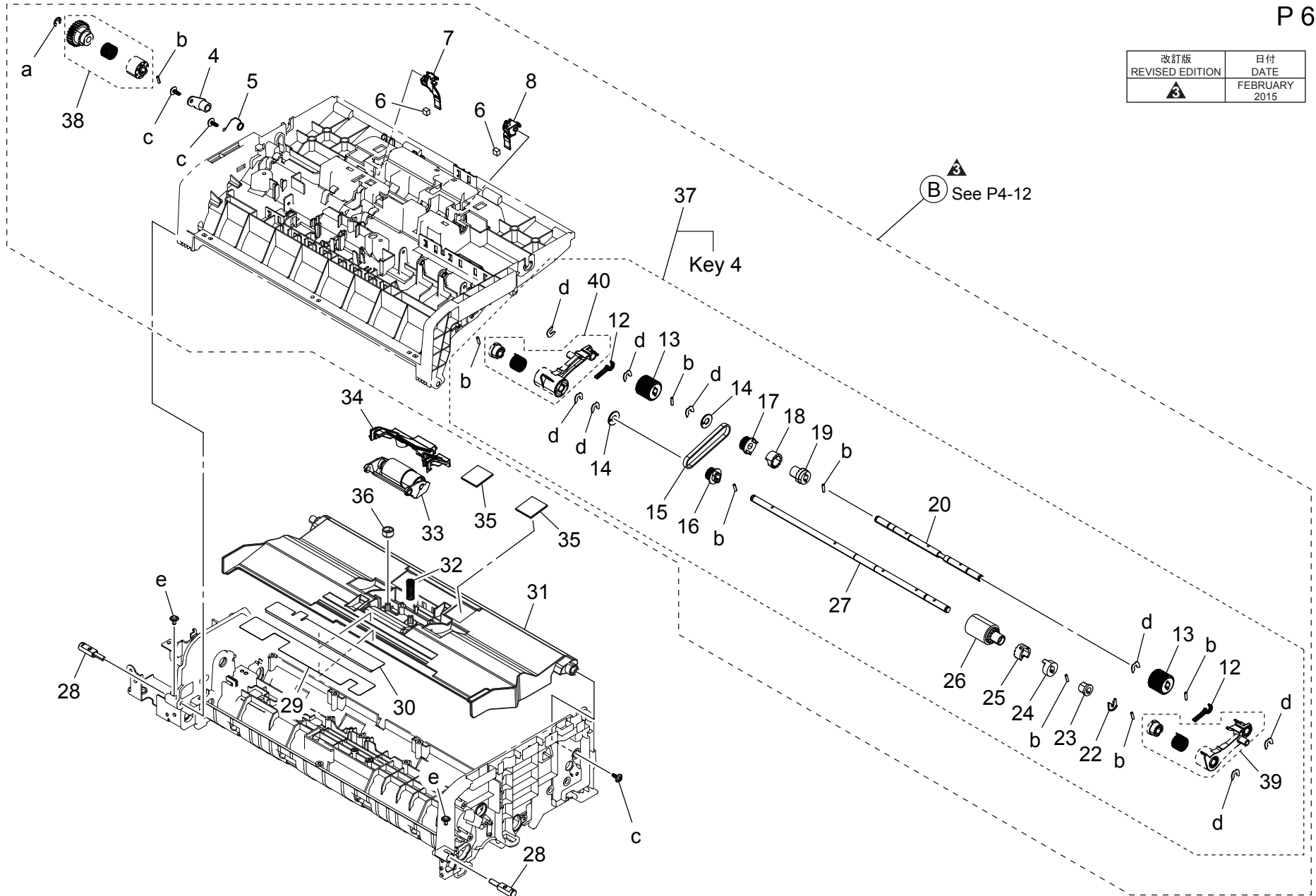
PAPER TAKE-UP SECTION

Key	Part No.	Description	Destinations	Class	QTY	Standard parts
1	A3CFPP5K01	Bracket		D	1	a-A3CFPP2G00
2	A108M50100	Photointerrupter		B	6	
3	A143PP6900	Tension Spring		C	1	
4	A143PP1B00	Torsion Spring		C	1	
5	A3CFPP5L00	Lever		C	1	
6	A143PP1Y00	Sponge		C	1	
7	A143PP6800	Neutralizing Brush		C	1	
8	A3CFPP5200	Torsion Spring		C	1	
9	A3CFPP4X01	Lever		C	1	
10	A3CFPP4V00	Lever		C	1	
11	A143PP5J01	Lever		C	1	
12	A143PP5K01	Lever		C	1	
13	A143PP5M01	Lever		C	1	
14	A3CFPP4T01	Roller		C	3	
15	A3CFPP4U01	Shaft		D	1	
16	A3CFPP5400	Torsion Spring		C	1	
17	A3CFPP6C00	Bracket		D	1	
18	A143PP7301	Wire Harness Assy		D	1	
19	A3CFPP5V01	Wire Harness Assy		D	1	
20	A3CFPP1700	Magnet		D	1	

PAPER TAKE-UP SECTION

P 6

改訂版 REVISED EDITION	日付 DATE
	FEBRUARY 2015

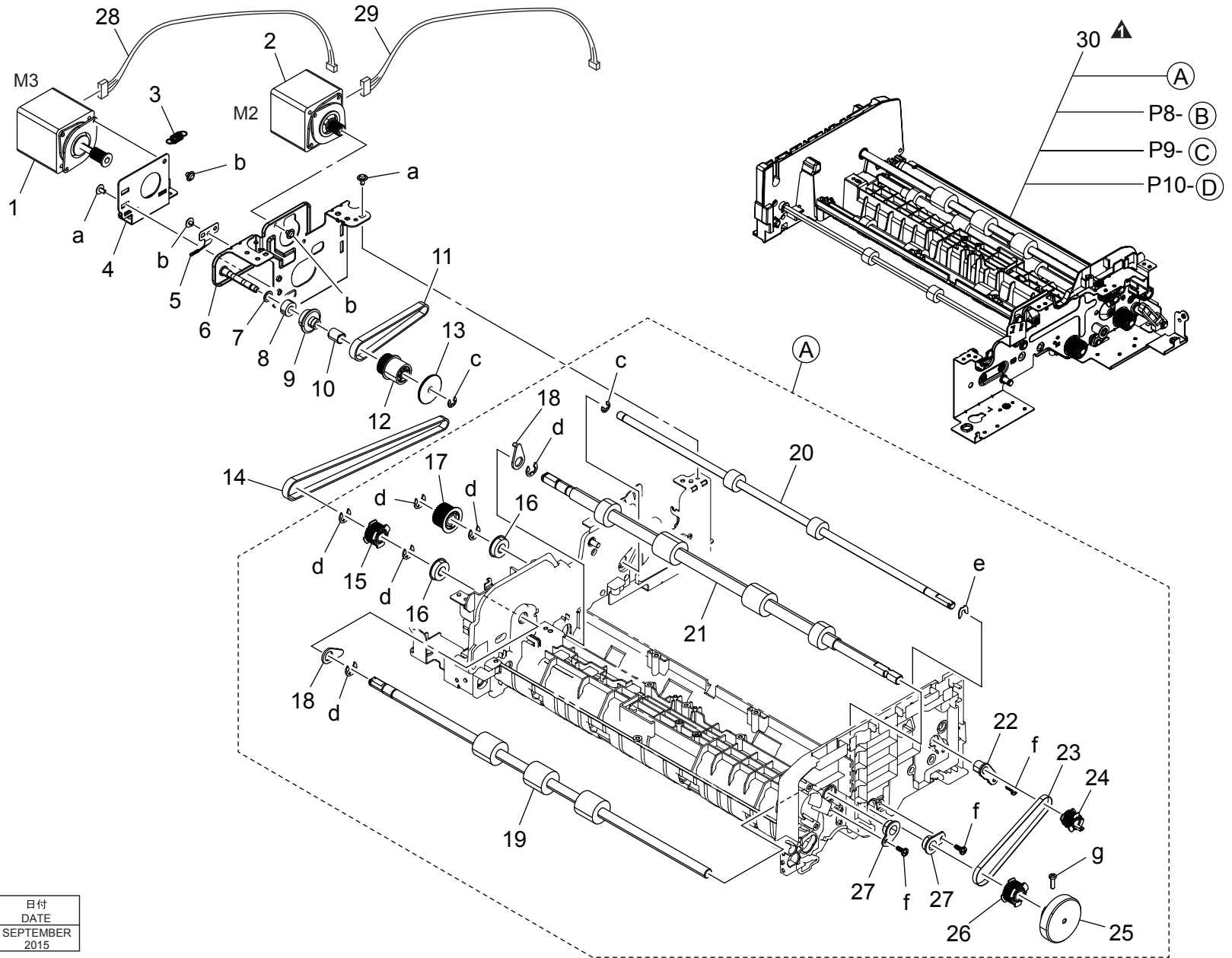


PAPER TAKE-UP SECTION

Key	Part No.	Description	Destinations	Class	QTY	Standard parts	
4	A3CFPP1J01	Bushing		C	1	a-A143PP0Q00 b-A143PP4S00 c-A3CFPP2G00 d-A143PP5501 e-A3CFPP7400	
5	A3CFPP5801	Torsion Spring		C	1		
6	A143PP9G00	Damper		C	2		
7	A143PP5U03	Stopper		C	1		
8	A143PP5T03	Stopper		C	1		
12	A143PP5301	Stopper		C	2		
13	A143PP5200	Roller		A	2		
14	A143PP5Y01	Flange		D	2		
15	A143563300	TIMING BELT 134L		C	1		
16	A143PP5A00	Pulley 19T		C	1		
17	A143PP5000	Pulley 21T		C	1		
18	A143PP5101	Coupling		C	1		
19	A143PP4Y00	Holder		C	1		
20	A143PP5403	Shaft		D	1		
22	A143PP5B01	Stop Ring		C	1		
23	A143PP5901	Bushing		C	1		
24	A143PP5601	Coupling		C	1		
25	A143PP6601	Coupling		C	1		
26	A143563100	Roller		A	1		
27	A3CFPP4S01	Shaft		D	1		
28	A3CFPP1600	Shaft		D	2		
29	A3CFPP4P00	Film		C	1		
30	A3CFPP4Q00	Film		C	1		
31	A3CFPP4M05	Guide		D	1		
32	A3CFPP4L00	Pressure Spring		C	1		
33	A3CFPP4H00	Roller Assy		A	1		
34	A3CFPP4G00	Cover Assy		C	1		
35	A3CFPP4N00	Pad		C	2		
36	A3CFPP6L00	Spacer		C	1		
37	A3CFPP6V00	Pick-Up Roller Assy		C	1		
38	A3CFPP7000	Gear Assy		C	1		
39	A3CFPP6X00	Lever Assy (Front)		C	1		
40	A3CFPP6Y00	Lever Assy (Rear)		C	1		

PAPER TRANSPORT SECTION

P 7



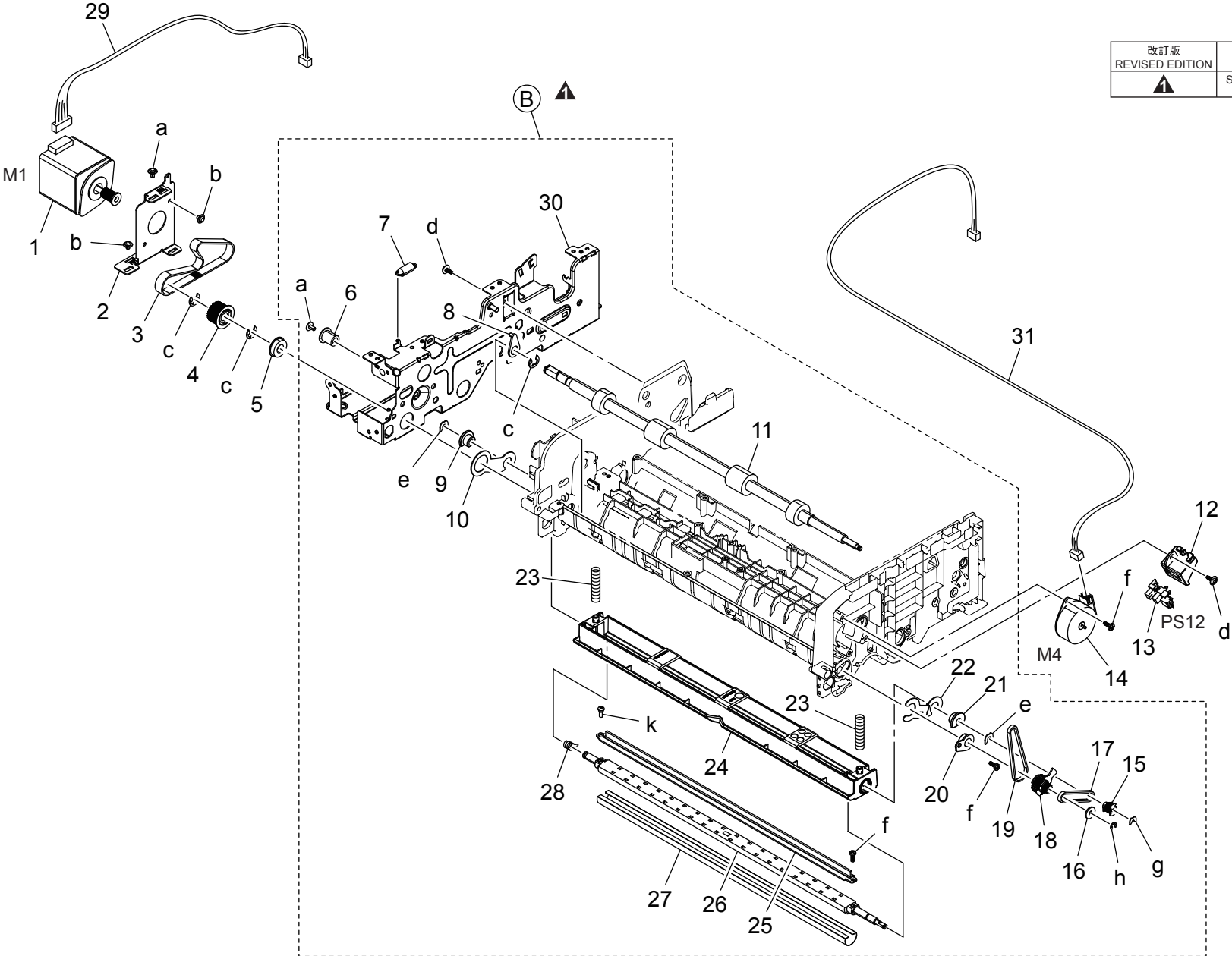
改訂版 REVISED EDITION	日付 DATE
▲	SEPTEMBER 2015

PAPER TRANSPORT SECTION

Key	Part No.	Description	Destinations	Class	QTY	Standard parts
1	A3CFPP5U01	Motor		C	1	a-A143PP7M00 b-A143PP7N00 c-A143PP0Q00 d-A143PP0P00 e-A143PP5501 f-A143PP0A00 g-A3CFPP6E00
2	A3CFPP5S00	Motor		C	1	
3	A3CFPP3K00	Tension Spring		C	1	
4	A3CFPP3G00	Bracket		C	1	
5	A3CFPP2C00	Plate Spring		D	1	
6	A3CFPP3F01	Bracket		D	1	
7	A3CFPP3R00	Washer		C	1	
8	A143PP9300	BEARING		C	1	
9	A3CFPP3D01	Pulley		C	1	
10	A3CFPP3P01	Pressure Spring		C	1	
11	A3CFPP3A00	Timing Belt		C	1	
12	A3CFPP3C00	Pulley		C	1	
13	A3CFPP3900	Flange		C	1	
14	A3CFPP3B00	Timing Belt		C	1	
15	A3CFPP3H00	Pulley		D	1	
16	A143PP1M00	Ball Bearing		C	2	
17	A3CFPP3J01	Pulley		C	1	
18	A3CFPP2E00	Bushing		D	2	
19	A3CFPP1F01	Roller		C	1	
20	A3CFPP1D00	Roller		C	1	
21	A3CFPP1E01	Roller		C	1	
22	A3CFPP1J01	Bushing		C	1	
23	A3CFPP3400	Timing Belt		C	1	
24	A3CFPP3800	Pulley		C	1	
25	A3CFPP1H01	Fly Wheel		D	1	
26	A3CFPP3500	Pulley		C	1	
27	A3CF103400	Bushing		C	2	
28	A3CFPP6701	Harness		D	1	
29	A3CFPP6801	Harness		D	1	
30	A3CFPP7600	Conveyance Frame Assy		D	1	

PAPER TRANSPORT SECTION


改訂版 REVISED EDITION	日付 DATE
▲	SEPTEMBER 2015

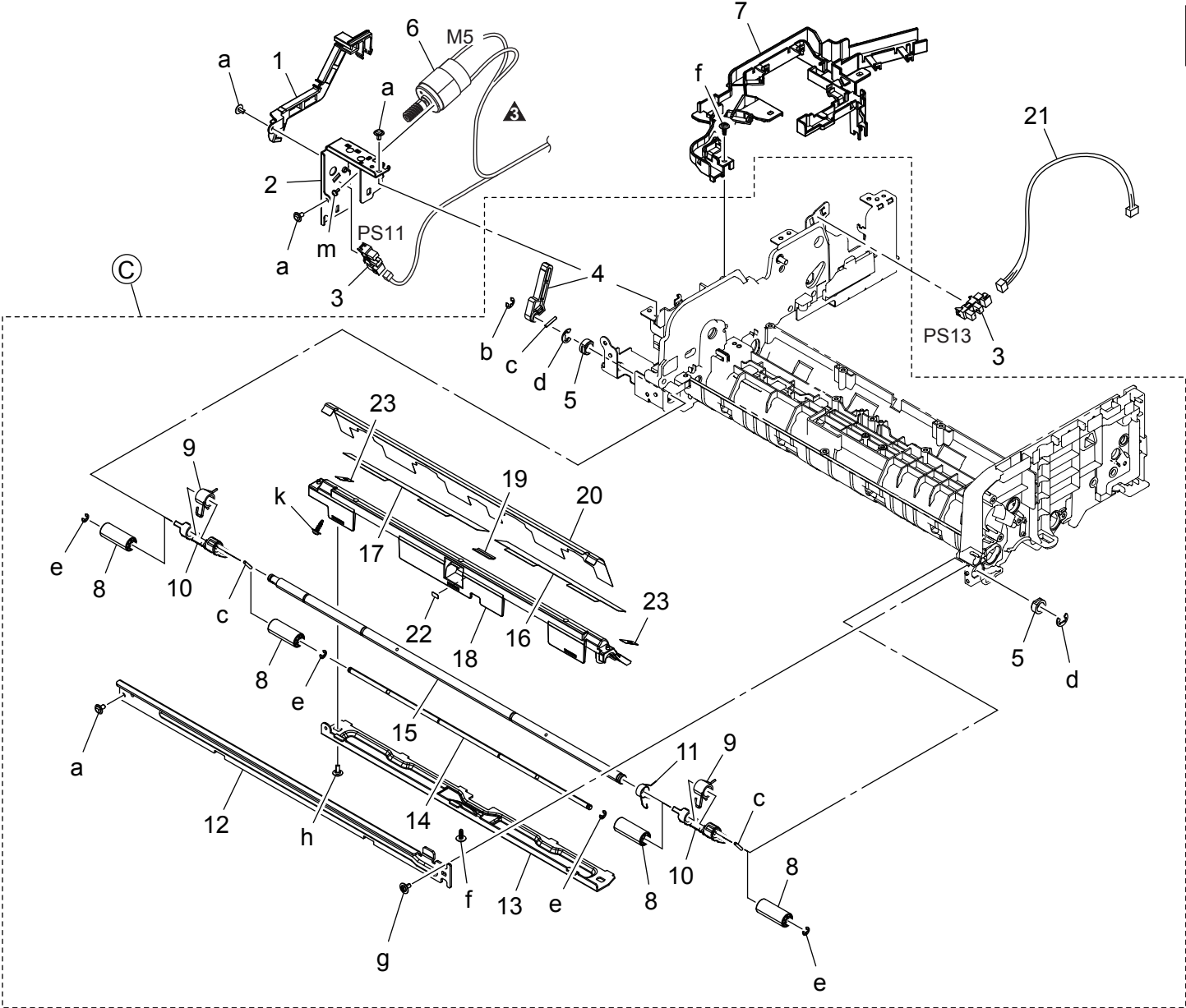


PAPER TRANSPORT SECTION

Key	Part No.	Description	Destinations	Class	QTY	Standard parts
1	A3CFPP5T00	Motor		C	1	a-A143PP7M00
2	A3CFPP3E01	Bracket		D	1	b-A143PP7N00
3	A3CF213300	Timing belt		C	1	c-A143PP0P00
4	A3CFPP3J01	Pulley		C	1	d-A3CFPP2G00
5	A143PP1M00	Ball Bearing		C	1	e-A143PP5501
6	A3CFPP3600	Pulley		C	1	f-A143PP0A00
7	A3CFPP3700	Tension Spring		C	1	g-A3CFPP4D00
8	A3CFPP2E00	Bushing		D	1	h-A3CFPP5M00
9	A143PP4D02	Bushing		C	1	k-A3CFPP4E00
10	A3CFPP4400	Arm		C	1	
11	A3CFPP1G00	Roller		C	1	
12	A3CFPP2B00	Holder		D	1	
13	A108M50100	Photointerrupter		B	1	
14	A3CFPP5R00	Motor		C	1	
15	A3CFPP4800	Pulley		C	1	
16	A143PP4H01	Flange		D	1	
17	A3CFPP4900	Timing Belt		C	1	
18	A3CFPP4700	Pulley		C	1	
19	A3CFPP4C00	Timing Belt		C	1	
20	A3CF103400	Bushing		C	1	
21	A3CFPP4A00	Bushing		C	1	
22	A3CFPP4301	Arm		C	1	
23	A3CFPP4B00	Pressure Spring		C	2	
24	A3CFPP4202	Cover		D	1	
25	A3CFPP4500	Brush		C	1	
26	A3CFPP4600	Shaft		D	1	
27	A3CEPP3301	Sheet		C	1	
28	A3CFPP4F00	Tension Spring		C	1	
29	A3CFPP6403	Harness		D	1	
30	A3CFPP1803	Frame Stake		D	1	
31	A3CFPP6300	Wire Harness Assy		D	1	

PAPER TRANSPORT SECTION


改訂版 REVISED EDITION	日付 DATE
	DECEMBER 2015

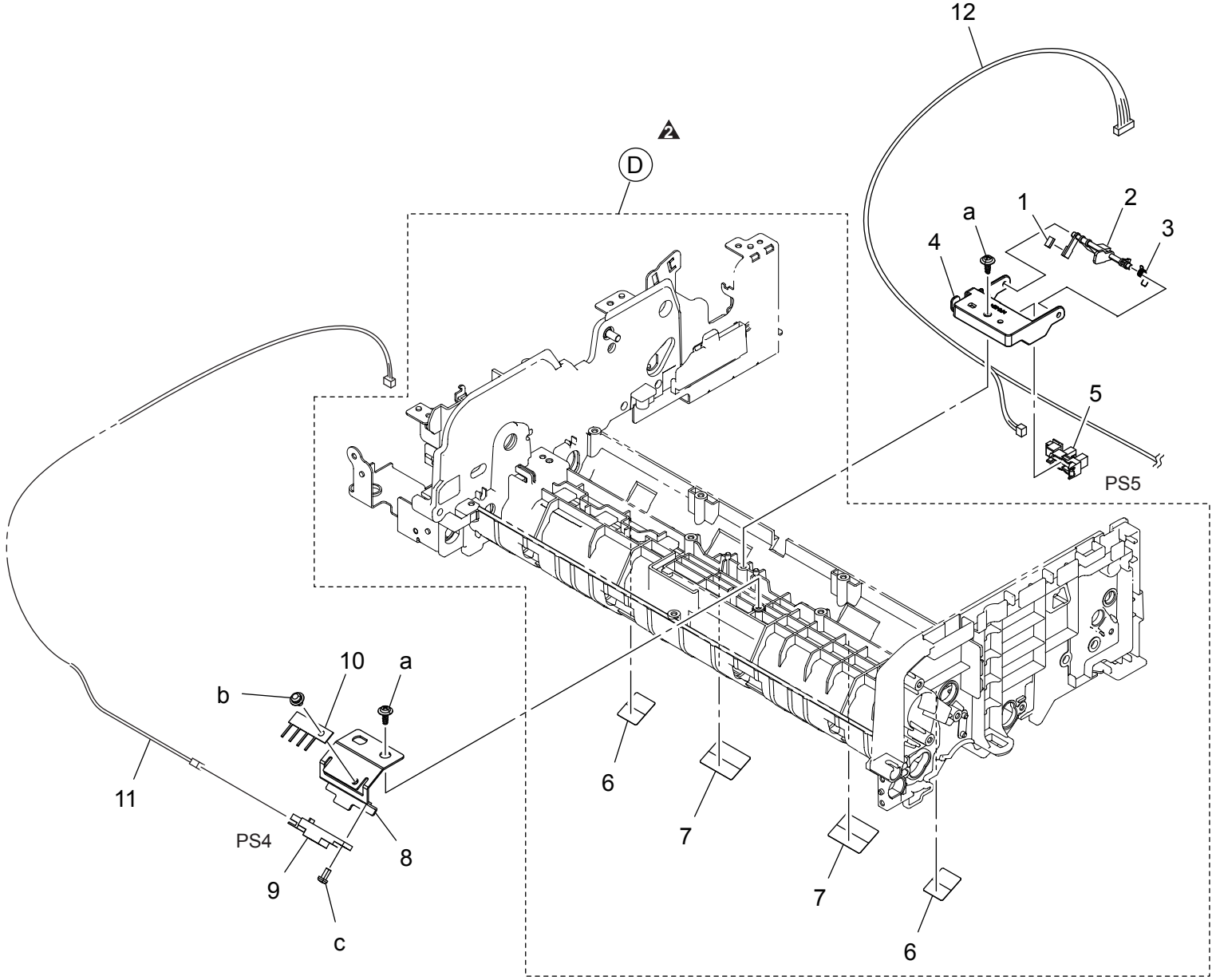


PAPER TRANSPORT SECTION

Key	Part No.	Description	Destinations	Class	QTY	Standard parts
1	A3CFPP3100	Guide		C	1	a-A143PP7M00 b-A143PP0Q00 c-A143PP3X00 d-A143PP0P00 e-A3CFPP5M00 f-A3CFPP2G00 g-A3CFPP2F00 h-A3CFPP2K00 k-A3CFPP2V00 m-A143PP3M00
2	A3CFPP3S02	Bracket		D	1	
3	A108M50100	Photointerrupter		B	2	
4	A3CFPP3Y01	Lever		C	1	
5	A3CFPP1K01	Bushing		C	2	
6	A3CFPP6J00	Motor Assy		C	1	
7	A3CFPP3002	Guide		C	1	
8	A3CFPP4101	Roller		C	4	
9	A3CFPP3X00	Torsion Spring		C	2	
10	A3CFPP3V01	Arm		C	2	
11	A3CFPP2X00	Torsion Spring		C	1	
12	A3CFPP1401	Bracket		D	1	
13	A3CFPP1300	Bracket		D	1	
14	A3CFPP4000	Shaft		D	1	
15	A3CFPP3U00	Shaft		D	1	
16	A3CFPP1102	Film		C	1	
17	A3CFPP1202	Film		C	1	
18	A3CFPP1002	Guide		D	1	
19	A3CFPP1P00	Cushion		C	1	
20	A3CFPP2Q01	Film		C	1	
21	A3CFPP6000	Wire Harness Assy		D	1	
22	A3CFPP6M00	Spacer		C	1	
23	A3CFPP6N00	Spacer		C	2	

PAPER TRANSPORT SECTION

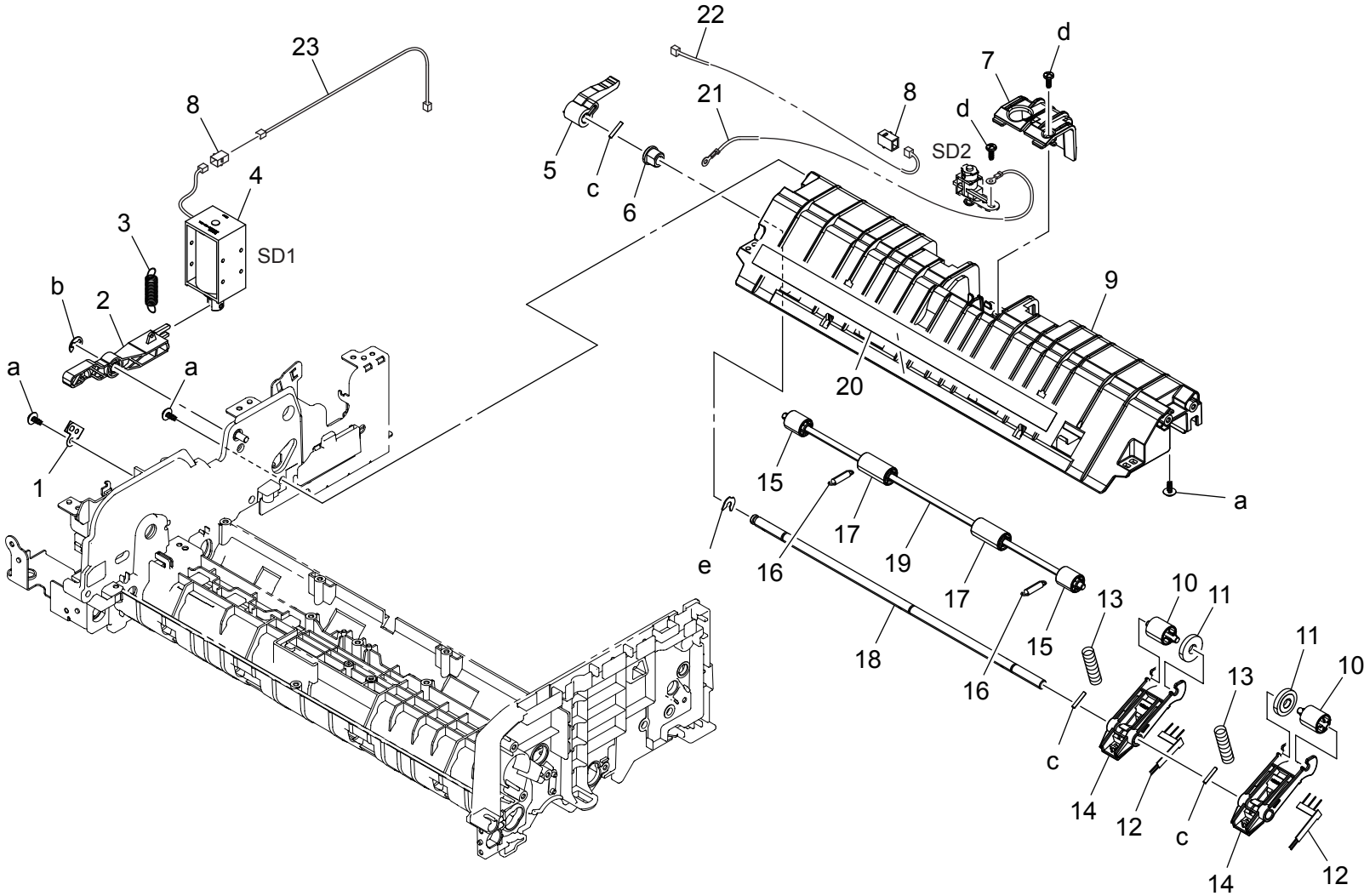
改訂版 REVISED EDITION	日付 DATE
	SEPTEMBER 2015



PAPER TRANSPORT SECTION

Key	Part No.	Description	Destinations	Class	QTY	Standard parts
1	A143PP1Y00	Sponge		C	1	a-A3CFPP2G00 b-A3CFPP2Y01 c-A143PP0D00
2	A143PP1A01	Lever		C	1	
3	A143PP1B00	Torsion Spring		C	1	
4	A3CFPP1M01	Bracket		D	1	
5	A108M50100	Photointerrupter		B	1	
6	A143PP4G01	Film		C	2	
7	A143PP4F01	Film		C	2	
8	A3CFPP1901Old	Bracket		D	1	
8	A3CFPP1902	Bracket		D	1	
9	A143PP7900	Solid State Switch		B	1	
10	A3CFPP2H01Old	Neutralizing Brush		C	1	
10	A143PP6800	Neutralizing Brush		C	1	
11	A3CFPP5Y01	Wire Harness Assy		D	1	
12	A3CFPP6102	Wire Harness Assy		D	1	

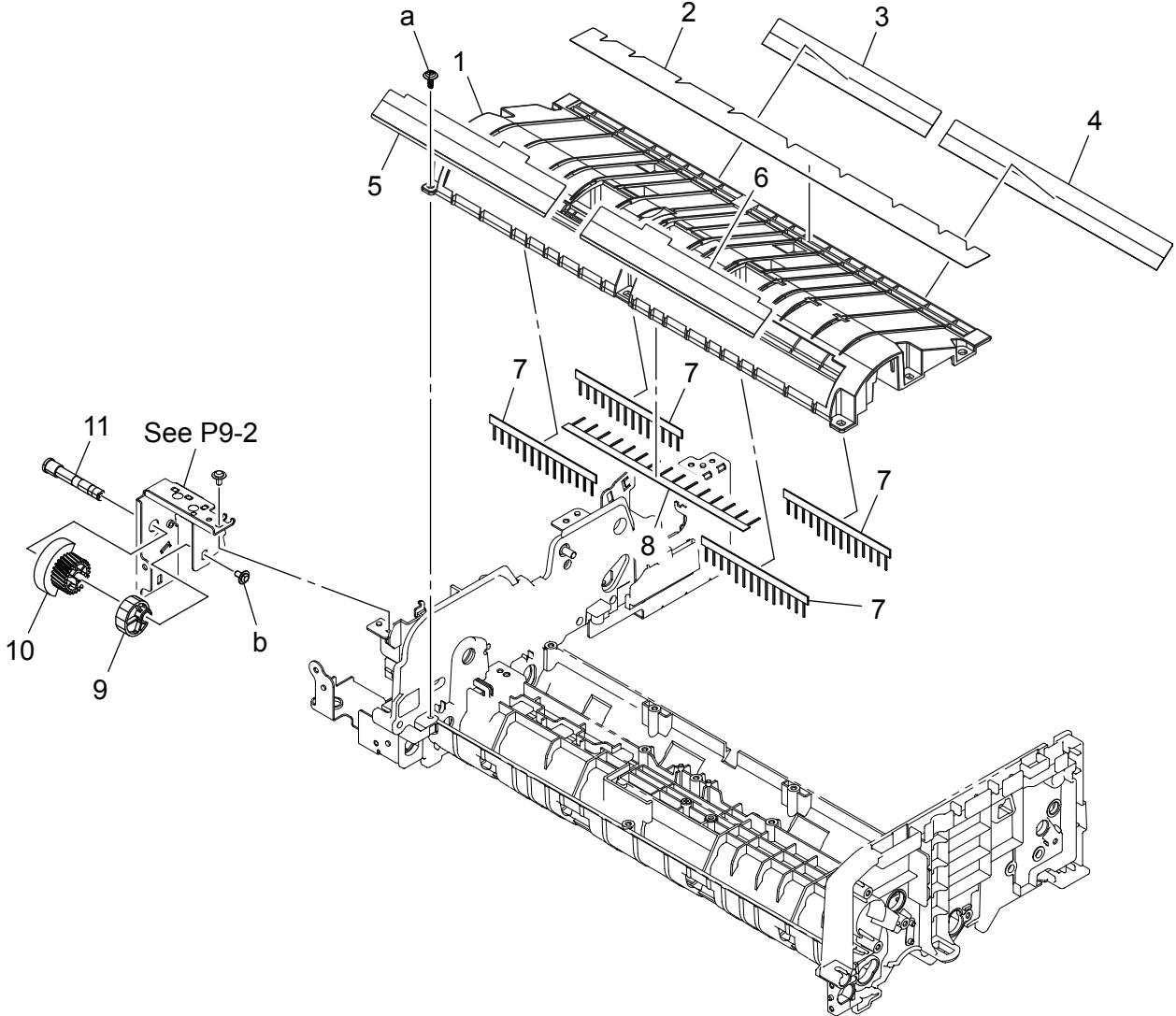
PAPER TRANSPORT SECTION



PAPER TRANSPORT SECTION

Key	Part No.	Description	Destinations	Class	QTY	Standard parts
1	A3CFPP2T01	Plate Spring		D	1	a-A3CFPP2G00 b-A143PP0S01 c-A143PP3X00 d-A143PP0A00 e-A143PP5501
2	A3CFPP1B00	Lever		C	1	
3	A143PP1R00	Tension Spring		C	1	
4	A143PP2C00	Solenoid Assy		C	1	
5	A3CFPP1A00	Lever		C	1	
6	A143PP8500	Bushing		C	1	
7	A143PP2502	Cover		C	1	
8	A143PP8F00	Wire Harness Assy		D	2	
9	A3CFPP2906	Guide		D	1	
10	A3CFPP1X01	Roll		C	2	
11	A143PP8600	Washer		C	2	
12	A3CFPP2U01	Neutralizing Brush		C	2	
13	A7V7PP1300	Pressure Spring		C	2	
14	A3CFPP1V03	Holder		D	2	
15	A3CFPP1T01	Roller		C	2	
16	A3CFPP2400	Tension Spring		C	2	
17	A3CFPP1U01	Roller		C	2	
18	A3CFPP2100	Shaft		D	1	
19	A3CFPP2500	Shaft		D	1	
20	A3CFPP2L00	Film		C	1	
21	A3CFPP6A00	Wire Harness Assy		D	1	
22	A3CFPP6500	Wire Harness Assy		D	1	
23	A3CFPP6600	Wire Harness Assy		D	1	

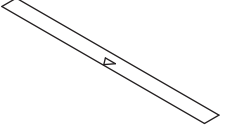
PAPER TRANSPORT SECTION



PAPER TRANSPORT SECTION

Key	Part No.	Description	Destinations	Class	QTY	Standard parts
1	A3CFPP1505	Guide		D	1	a-A3CFPP6K00 b-A143PP7M00
2	A3CFPP1C01	Film		C	1	
3	A3CFPP1R00	Film		C	1	
4	A3CFPP1Q00	Film		C	1	
5	A3CFPP6F00	Film		C	1	
6	A3CFPP5502	Seal		C	1	
7	A143PP1X00	NEUTRALIZING BRUSH		C	4	
8	A3CFPP1N02Old	Neutralizing Brush		C	1	
8	A3CFPP1N03	Neutralizing Brush		C	1	
9	A3CFPP3T00	Cam		C	1	
10	A143PP3P01	Gear		C	1	
11	A3CFPP3M00	Shaft		D	1	

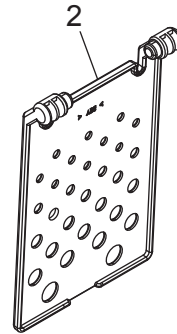
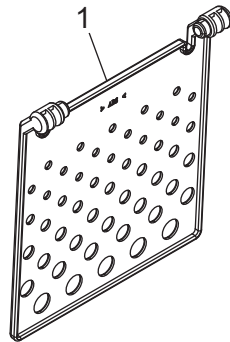
WIRING ACCESSORIES AND JIGS

1 	6	11	16	21	26	31	36
2	7	12	17	22	27	32	37
3	8	13	18	23	28	33	38
4	9	14	19	24	29	34	39
5	10	15	20	25	30	35	40

WIRING ACCESSORIES AND JIGS

Key	Part No.	Description		Destinations	Class	QTY	Standard parts
1	9J06PJG100	JIG	治具 (A D F 読取り位置調整用)		S	1	

ACCESSORY PARTS



ACCESSORY PARTS

Key	Part No.	Description	Destinations	Class	QTY	Standard parts
1	A3CF113900	Hinge Cover Left		C	1	
2	A3CF116400	Hinge Cover Right		C	1	
3	A143114600	Screw		C	2	
4	A3CF116100	Screw_two step		C	2	

MAINTENANCE LIST

● The items with no Page/Key numbers are not handled as spare parts.

No.	Section	PM Parts Description	Maintenance Cycle (K=1,000)		Parts No.	Destinations	Page/Key	Note
			QTY	Replace				
1	Paper Take-up Section	Pick-up roller	2	200K	A143PP5200		P6-13	*1*2
2		Feed roller	1	200K	A143563100		P6-26	*1*2
3		Separation roller	1	200K	A3CFPP4H00		P6-33	*1*2

*1: Actual durable cycle (life counter value)

*2: Replace those parts at the same time.

メンテナンスリスト

● ページ / キーナンバーのないものは、アフターサービス部品ではありません。

No.	区分	PM 部品名称	サイクル (K=1,000)		部品番号	仕向地	頁 / キー	備考
			員数	交換				
1	給紙部	ピックアップローラー	2	200K	A143PP5200		P6-13	*1*2
2		給紙ローラー	1	200K	A143563100		P6-26	*1*2
3		分離ローラー Assy	1	200K	A3CFPP4H00		P6-33	*1*2

*1: 実質交換サイクル値 (ライフカウンター値)

*2: 3点同時交換すること。

DESTINATION

Destination No.		Destinations		V	Hz	Model No.
A	A1	JAPAN		100	50/60	A3CFWY1
	A2	JAPAN				
B		USA, CANADA		120	60	A3CFWY1
C		EUROPEAN TYPE		220-240	50/60	A3CFWY1
D	D1	S.E ASIA TYPE	THAILAND, SRI LANKA, SINGAPORE, MALAYSIA, HONG KONG, PAKISTAN, INDIA, BANGLADESH, INDONESIA	220-240	50/60	A3CFWY1
	D3	OCEANIA TYPE	AUSTRALIA, NEW ZEALAND	220-240	50/60	A3CFWY1
E		PHILIPPINES		220-240	50/60	A3CFWY1
F	F1	SAUDI ARABIA				
	F2	SAUDI ARABIA		220-240	50/60	A3CFWY1
G	G1	C.S AMERICA		220-240	50/60	A3CFWY1
	G2	C.S AMERICA		120	60	A3CFWY1
H		TAIWAN		110	60	A3CFWY1
I		JORDAN, LEBANON, SYRIA, SOUTH AFRICA, IRAQ, IRAN, N.YEMEN, CAMEROON, UAE, BAHRAIN, OMAN, QATAR, KUWAIT, KENYA, TUNISIA, IVORY COAST, MOROCCO		220-240	50/60	A3CFWY1
J		CHINA		220-240	50/60	A3CFWY1
K		KOREA		220-240	50/60	A3CFWY1