



KONICA MINOLTA

Konica Minolta

bizhub 28e

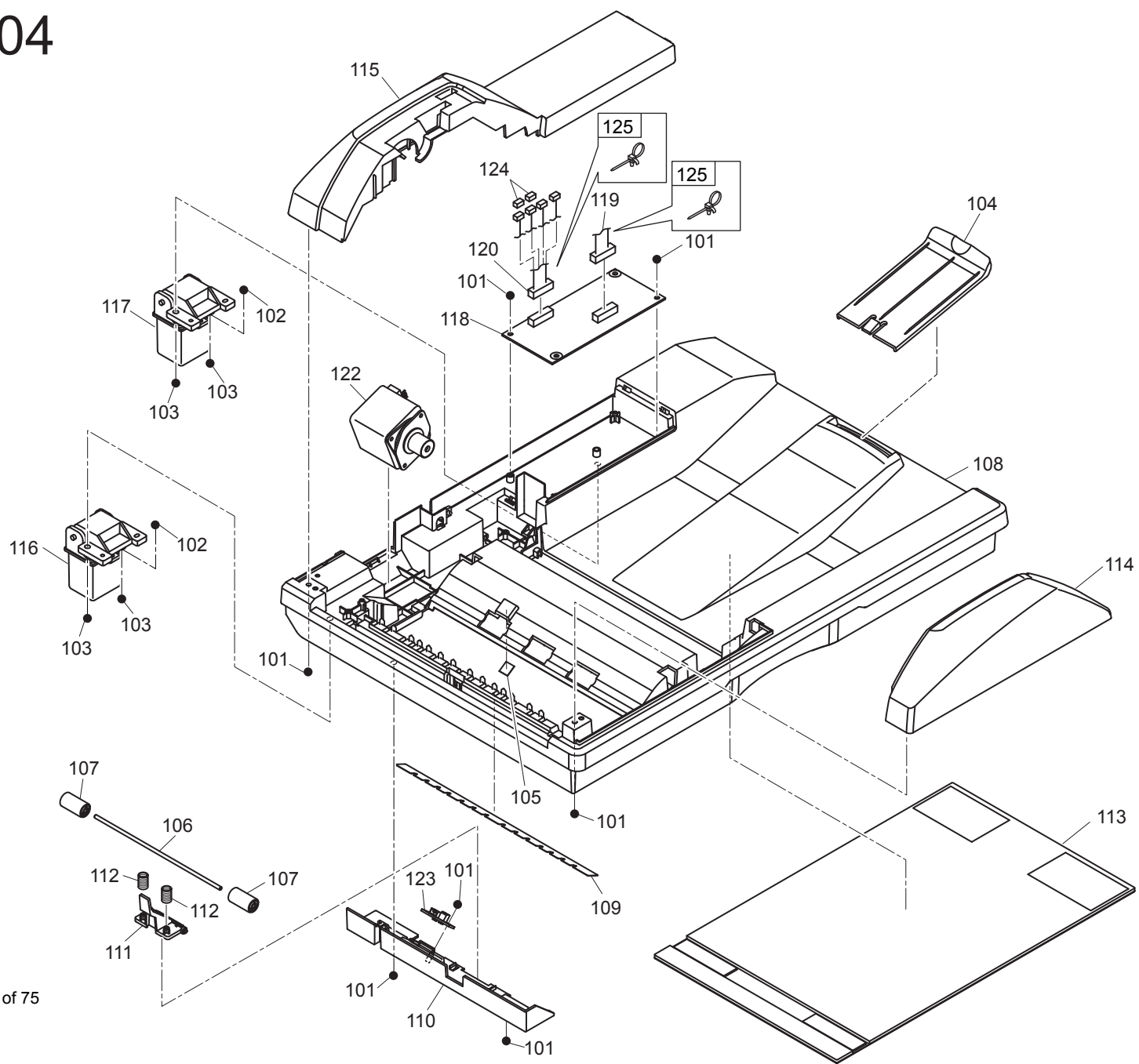
(DD1362)

Illustrated Parts Catalog

January, 2018

DD1 CONTENTS

DD1-004	URADF COVER PLATEN	DD1-024	PRINTER GUIDE INNER
DD1-005	URADF COVER TX	DD1-025	PRINTER MALTI PURPOSE
DD1-006	URADF GUIDE INNER A	DD1-026	PRINTER CASSETTE
DD1-007	URADF GUIDE INNER B	DD1-081	ACCESSORY1
DD1-008	URADF DRIVE BACK	DD1-083	ENCLOSURE
DD1-009	URADF DRIVE FRONT	DD1-091	CONSUMABLE
DD1-010	URADF GUIDE OUTER	DD1-092	OPTION/CONSUMABLE
DD1-011	PANEL	DD1-905	PARTS URADF COVER TX
DD1-012	TOP COVER	DD1-906	PARTS URADF GUIDE INNER A
DD1-013	CHASSIS SCANNER	DD1-909	PARTS URADF DRIVE FRONT
DD1-014	PRINTER COVER	DD1-912	PARTS TOP COVER
DD1-015	PRINTER POWER SUPPLY/NCU	DD1-916	PARTS PRINTER PCB MAIN
DD1-016	PRINTER PCB MAIN	DD1-917	PARTS PRINTER CHASSIS1
DD1-017	PRINTER CHASSIS1	DD1-919	PARTS PRINTER DRIVE FRONT
DD1-018	PRINTER CHASSIS2	DD1-920	PARTS PRINTER DRIVE BACK
DD1-019	PRINTER DRIVE FRONT	DD1-921	PARTS PRINTER EXIT
DD1-020	PRINTER DRIVE BACK	DD1-922	PARTS PRINTER FUSER
DD1-021	PRINTER EXIT	DD1-924	PARTS PRINTER GUIDE INNER
DD1-022	PRINTER FUSER	DD1-926	PARTS PRINTER CASSETTE
DD1-023	PRINTER JAM ACCESS COVER		



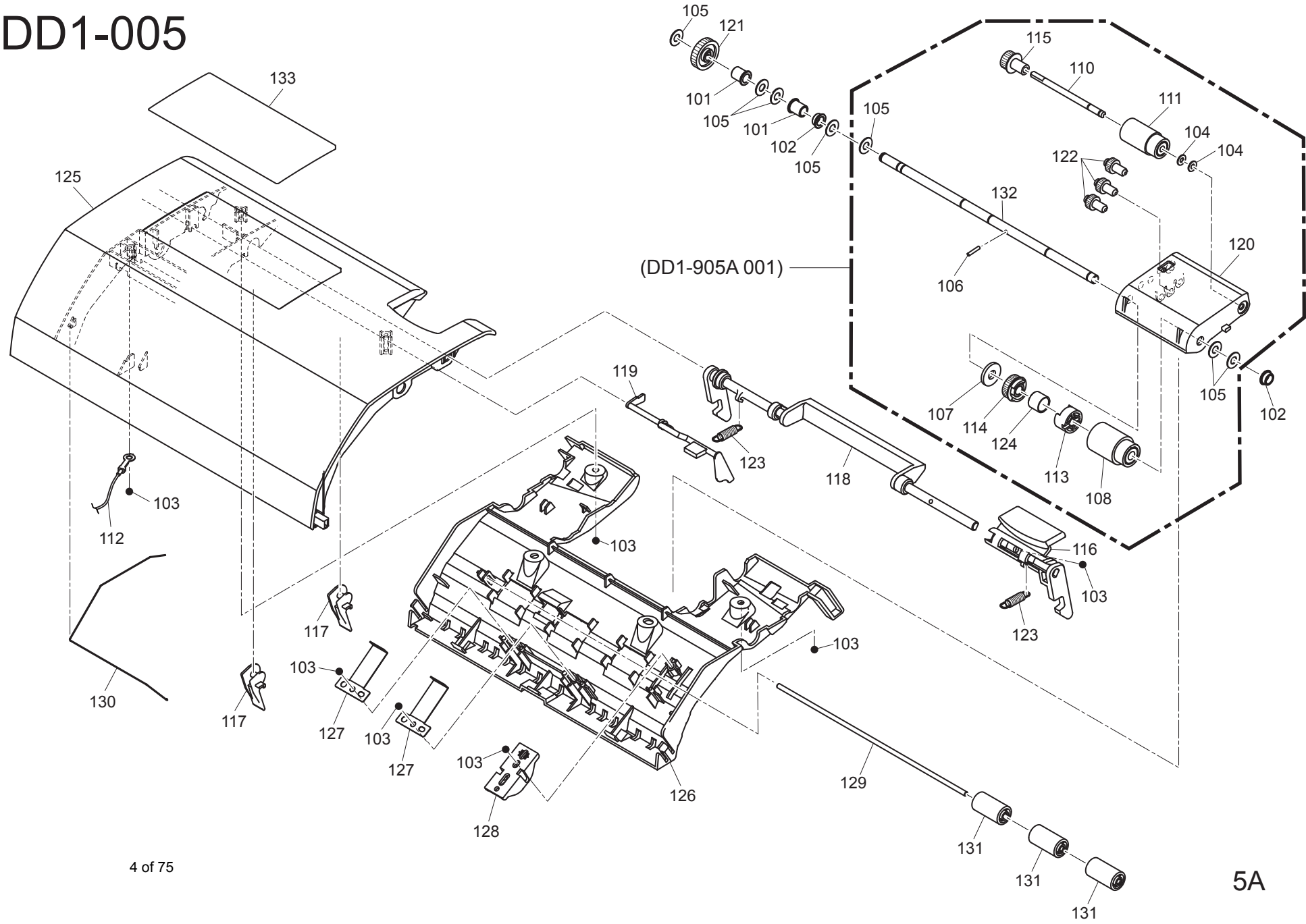
DD1362

Illustrated Part List 1
URADF COVER PLATEN

DD1-004

NO	F	PARTS NO	PARTS NAME	QTY
004-101		D99600206X	SCREW P-TITE-CUP (3C) 3X8	7
102		D99617006X	SCREW S-TITE (3C) 3X6 (ROUNDED-END)	2
103		D99621406X	SCREW B-TITE-CUP (3C) 4X12	4
104		DA1106186X	TRAY DOCUMENT	1
105		DC1112606X	SHEET DS2 REFLECTOR	1
106		DD1103306X	SHAFT PRESS ROLLER	1
107		DD1103406X	PRESS ROLLER A	2
108		DD1106016X	COVER PLATEN	1
109		DD1106106X	SHEET PLATEN	1
110		DD1106216X	STAY PLATEN	1
111		DD1106306X	KNOB RELEASE	1
112		DD1106406X	SPRING C FEED 2	2
113		DD1107606X	SHEET DOCUMENT PRESS	1
114		DD1107716X	COVER TX SIDE F	1
115		DD1107816X	COVER TX SIDE B	1
116		Z90729290X	HINGE L	1
117		Z90729300X	HINGE R	1
118		DD1080605XX	PCB ADF	1
119		DD1082304XX	ASSY ADF-CABLE	1
120		DD1082605XX	CABLE-ASSY ADF CLUTCH	1
122		ZA10437580	MOTOR URADF	1
123		DD1081205XX	PCB RS	1
124		Z08223640X	CONNECTOR(CABLE-ASSY ADF CLUTCH)	2
125		ZA10372800	CABLE BAND	2

DD1-005



DD1362

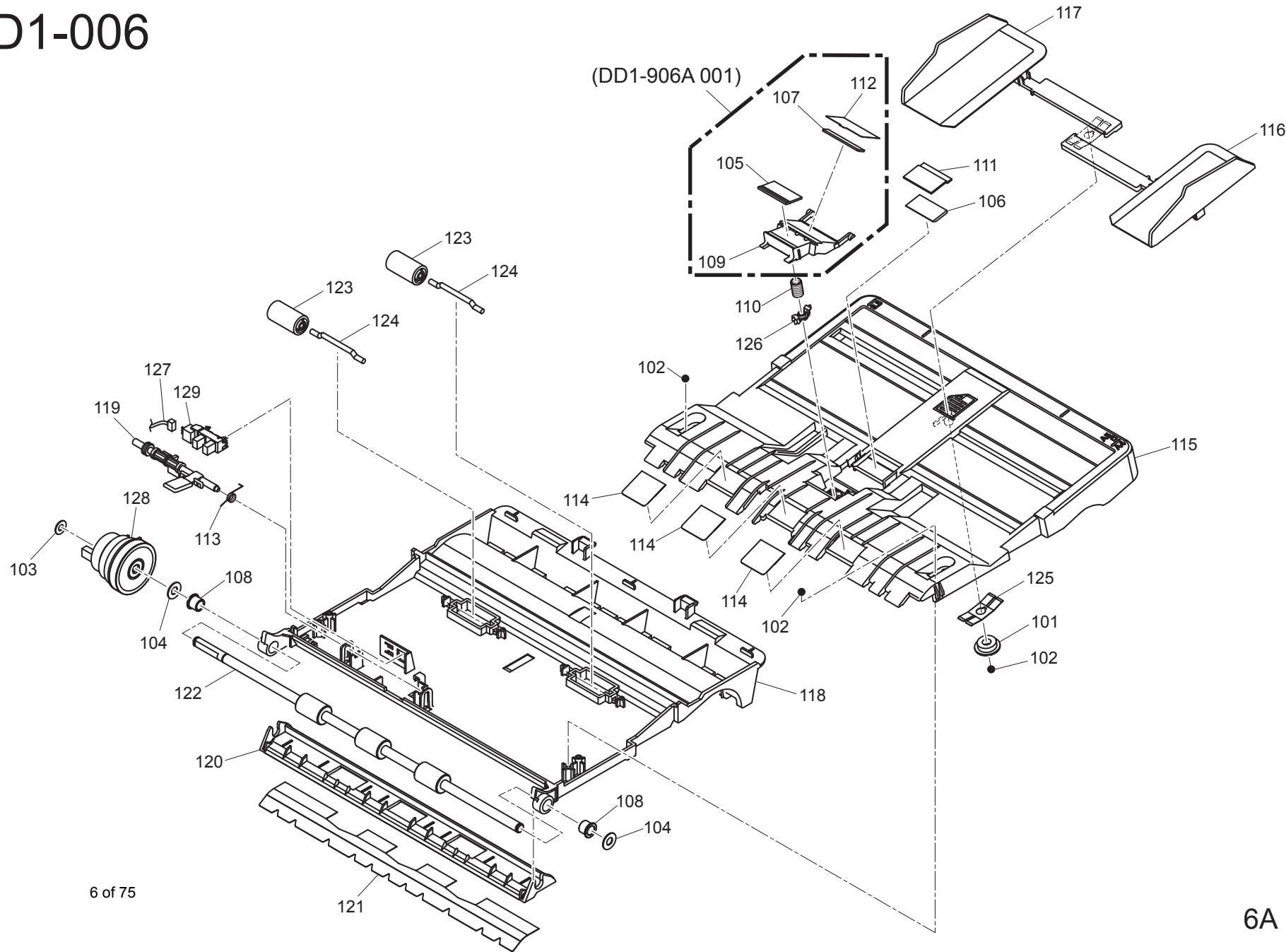
Illustrated Part List 2
URADF COVER TX

DD1-005

NO	F	PARTS NO	PARTS NAME	QTY
005-101		D28021206X	BEARING D6 8	2
102		D67012806X	BEARING D6	2
103		D99600206X	SCREW P-TITE-CUP (3C) 3X8	7
104	*	D99650306X	STOPPER DR (3C) 3	2
105		D99650506X	STOPPER DR (3C) 5	7
106		D99665206X	PIN PPB 2X10	1
107	*	DA7011306X	SHEET FELT	1
108	*	DB5101105X	ROLLER SEPARATOR	1
110	*	DB5101206X	SHAFT PICKUP	1
111	*	DB5101305X	ROLLER PICKUP	1
112		DD1089105XX	CABLE-ASSY URADF DRIVE-FG	1
113	*	DB5101506X	HUB SEPARATOR	1
114	*	DB5101706X	GEAR 30 0.5	1
115	*	DB5102306X	GEAR 24 0.5 D	1
116		DC4105636X	KNOB LOCK	1
117		DC4105906X	PIECE SHUTTER	2
118		DC4106006X	SHAFT KNOB LOCK	1
119		DC4106106X	FEELER DS1	1
120	*	DC4106206X	ARM PICKUP	1
121		DC4106806X	GEAR 26	1
122	*	DC4106906X	GEAR 19	3
123		DC4109006X	SPRING C KNOB	2
124	*	DC4109206X	SPRING C PICKUP	1
125		DD1100116X	COVER TX	1
126		DD1100216X	GUIDE OUTER A	1
127		DD1100306X	SPRING P REGIST	2
128		DD1100406X	HOLDER REGIST SHAFT	1
129		DD1100506X	SHAFT PRESS ROLLER REGIST	1
130		DD1100606X	SPRING T FG TX	1

NO	F	PARTS NO	PARTS NAME	QTY
005-131		DD1103406X	PRESS ROLLER A	3
132	*	DC4106506X	SHAFT SEPARATOR	1
133		DD10701A6X	LABEL COVER TX	1

DD1-006

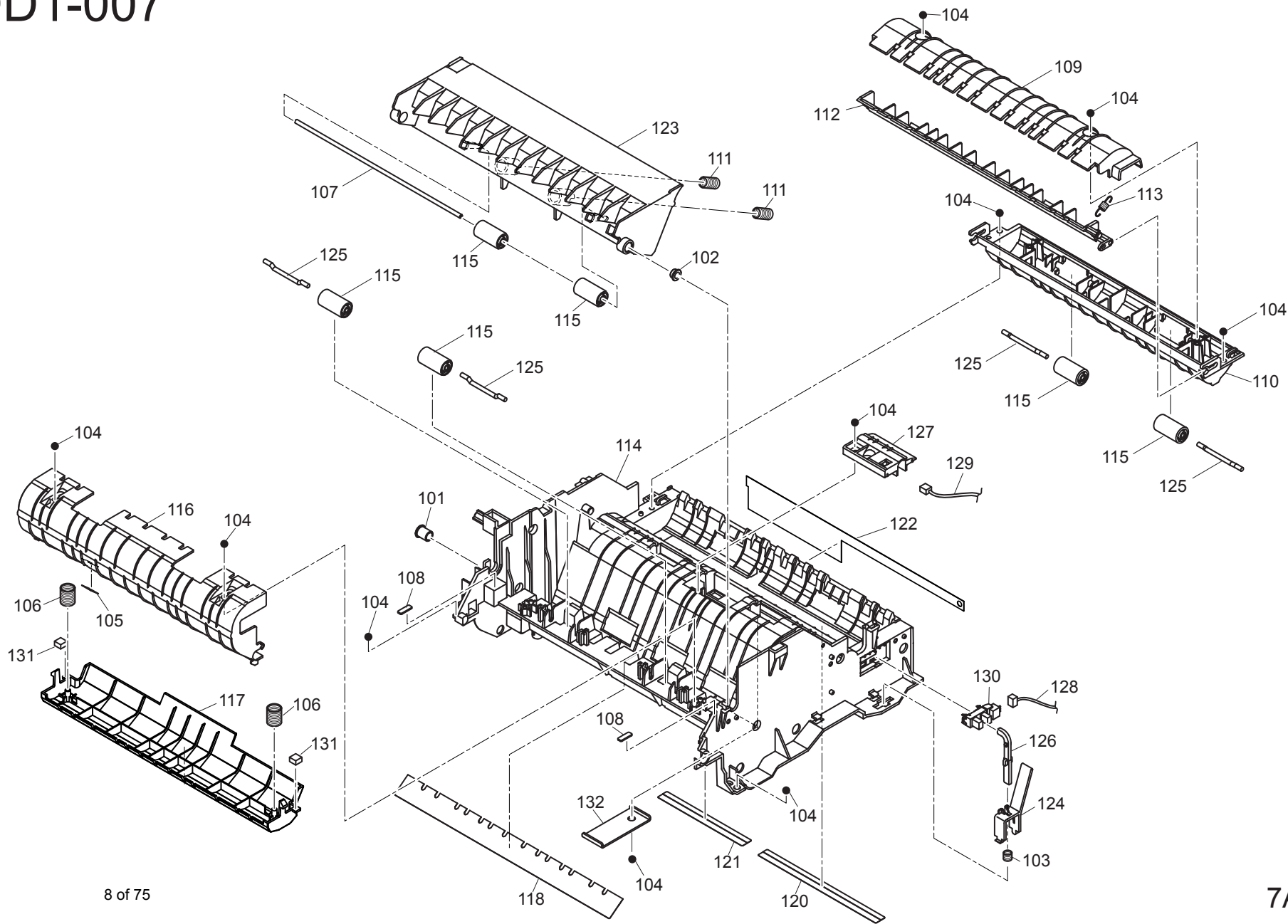


DD1362

Illustrated Part List 3
URADF GUIDE INNER A

DD1-006

NO	F	PARTS NO	PARTS NAME	QTY
006-101		D57031306X	PINION GEAR	1
102		D99600206X	SCREW P-TITE-CUP (3C) 3X8	3
103		D99650406X	STOPPER DR (3C) 4	1
104		D99650506X	STOPPER DR (3C) 5	2
105	*	DA7015706X	PAD SEPARATOR A	1
106		DA7016406X	SPONGE PICKUP	1
107	*	DB5106006X	PAD SEPARATOR B	1
108		DC2257106X	BEARING D6 8	2
109	*	DC4102806X	PIECE SEPARATOR	1
110		DC4103206X	SPRING C SEPARATOR	1
111		DC4103306X	PAD PICKUP	1
112	*	DC4103406X	SHEET SEPARATOR	1
113		DC4108206X	SPRING T DRS	1
114		DC4108906X	SHEET ROLLER REGIST	3
115		DD1100736X	GUIDE OUTER B UP	1
116		DD1100836X	GUIDE DOCUMENT F	1
117		DD1100936X	GUIDE DOCUMENT B	1
118		DD1101206X	GUIDE OUTER B LO	1
119		DD1101406X	FEELER DRS	1
120		DD1101506X	GUIDE OUTER C	1
121		DD1101606X	SHEET GUIDE OUTER	1
122		DD1102606X	ROLLER FEED A	1
123		DD1103406X	PRESS ROLLER A	2
124		DD1107206X	SPRING C EXIT	2
125		DD1108106X	SPRING P PINION	1
126		DD1108306X	HOLDER SEPARATOR SPRING	1
127		DD1083605XX	CABEL-ASSY DRS	1
128		Z90728310X	CLUTCH URADF	1
129		Z08133580X	PHOTO INTERRUPTER	1



DD1362

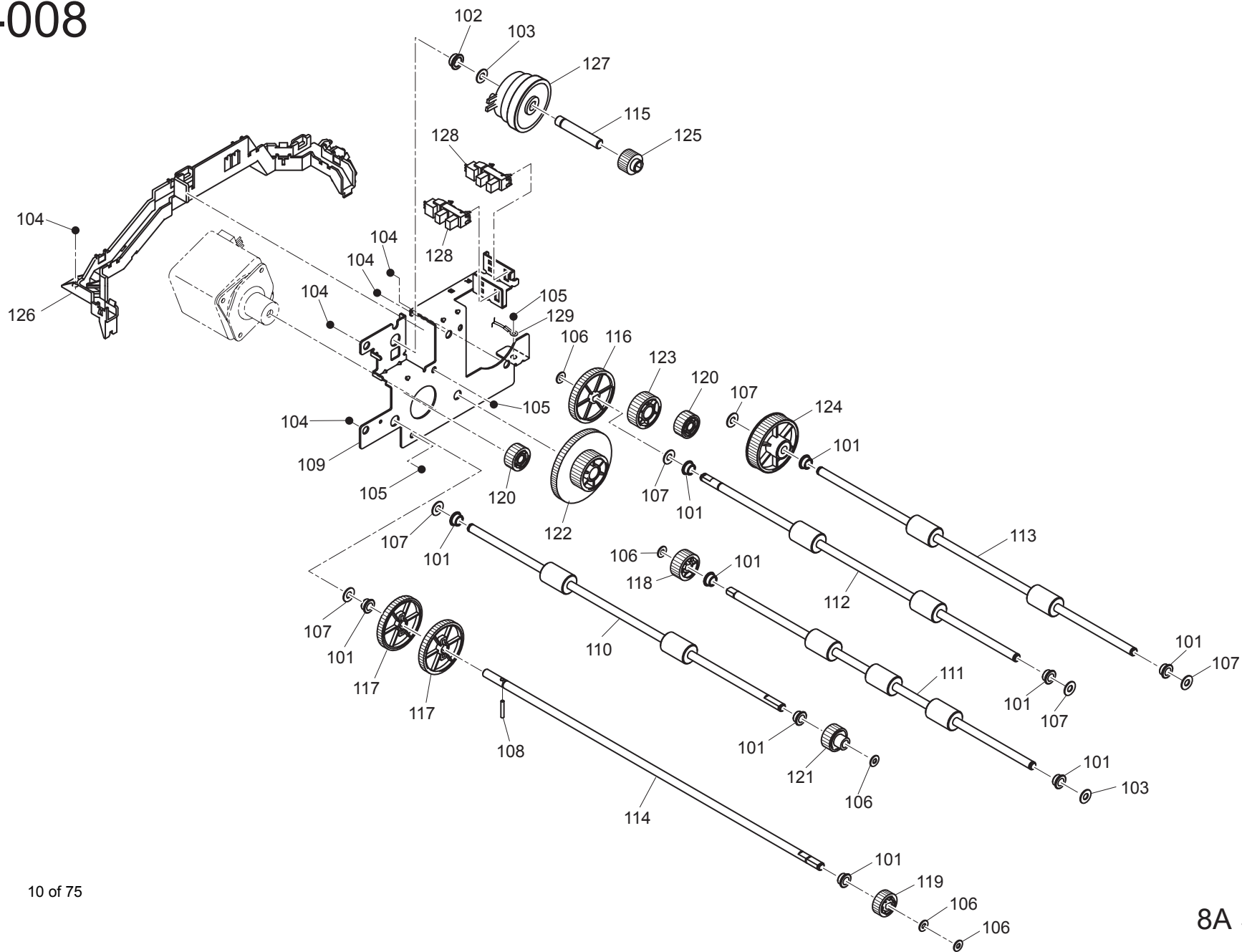
Illustrated Part List 4
URADF GUIDE INNER B

DD1-007

NO	F	PARTS NO	PARTS NAME	QTY
007-101		D28021206X	BEARING D6 8	1
102		D56018006X	BEARING	1
103		D88035506X	SPRING C APS	1
104		D99600206X	SCREW P-TITE-CUP (3C) 3X8	10
105		DC1112606X	SHEET DS2 REFLECTOR	1
106		DC4105106X	SPRING C GUIDE INNER D	2
107		DD1100506X	SHAFT PRESS ROLLER REGIST	1
108		DD1101006X	STOPPER	2
109		DD1101706X	GUIDE INNER C UP	1
110		DD1101806X	GUIDE INNER C LO	1
111		DD1102006X	SPRING C FEED U	2
112		DD1102106X	GUIDE SWITCH	1
113		DD1102206X	SPRING C GUIDE SWITCH	1
114		DD1102306X	GUIDE INNER	1
115		DD1103406X	PRESS ROLLER A	6
116		DD1104706X	GUIDE COVER PL	1
117		DD11048B6X	PLATE BACKGROUND	1
118		DD1105206X	SHEET INNER A	1
120		DD1105406X	SHEET INNER C	1
121		DD1105506X	SHEET INNER D	1
122		DD1105706X	BRUSH EXIT	1
123		DD1105906X	GUIDE INNER A	1
124		DD1106506X	BRACKET APS	1
125		DD1107206X	SPRING C EXIT	4
126		DD11080B6X	FEELER APS	1
127		DD1108206X	COVER STAMP	1
128		DD1082505XX	CABLE-ASSY ADF SLND	1
129		DD1085105XX	CABLE-ASSY STAMPER	1
130		Z08133580X	PHOTO INTERRUPTER	1

NO	F	PARTS NO	PARTS NAME	QTY
007-131		DD1108906X	SPONGE BACKGROUND	2
132		DD1109006X	STAY GUIDE INNER	1

DD1-008

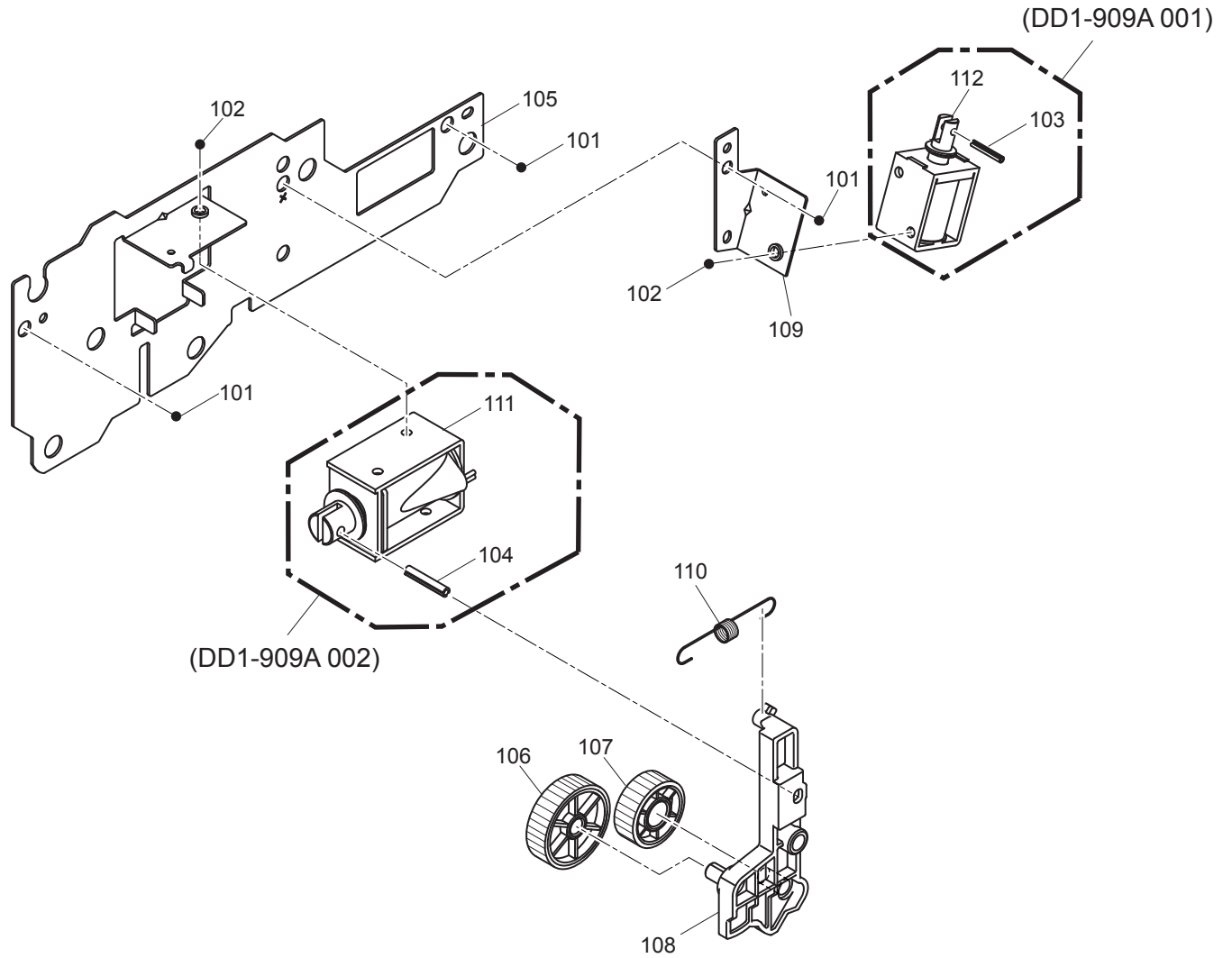


DD1362

Illustrated Part List 5
URADF DRIVE BACK

DD1-008

NO	F	PARTS NO	PARTS NAME	QTY
008-101		D56018006X	BEARING	10
102		D67012806X	BEARING D6	1
103		D99014706X	STOPPER RING 4	2
104		D99600206X	SCREW P-TITE-CUP (3C) 3X8	5
105		D99610106X	SCREW S-TITE-CUP (3C) 3X6	3
106		D99650306X	STOPPER DR (3C) 3	5
107		D99650406X	STOPPER DR (3C) 4	6
108		D99665306X	PIN PPB 2X12	1
109		DD1102406X	BRACKET MOTOR	1
110		DD1102706X	ROLLER FEED B	1
111		DD1102806X	ROLLER FEED C	1
112		DD1102906X	ROLLER FEED D	1
113		DD1103006X	ROLLER FEED E	1
114		DD1103106X	SHAFT DRIVE FRONT	1
115		DD1103206X	SHAFT CLUTCH	1
116		DD1103506X	GEAR 70 0.5 A	1
117		DD1103606X	GEAR 70 0.5 B	2
118		DD1103706X	GEAR 35 0.5 A	1
119		DD1103906X	GEAR 31 0.5 A	1
120		DD1104006X	GEAR 31 0.5 B	2
121		DD1104106X	GEAR 31 0.5 C	1
122		DD1104306X	GEAR 96/48 0.5	1
123		DD1104406X	GEAR 43 0.5	1
124		DD1104506X	GEAR 70 0.5 ONEWAY	1
125		DD1104606X	GEAR 17 0.8	1
126		DD1107906X	GUIDE HARNESS	1
127		Z90728310X	CLUTCH URADF	1
128		Z08133580X	PHOTO INTERRUPTER	2
129		DD1089705XX	CABLE-ASSY STAPLER-FG	1



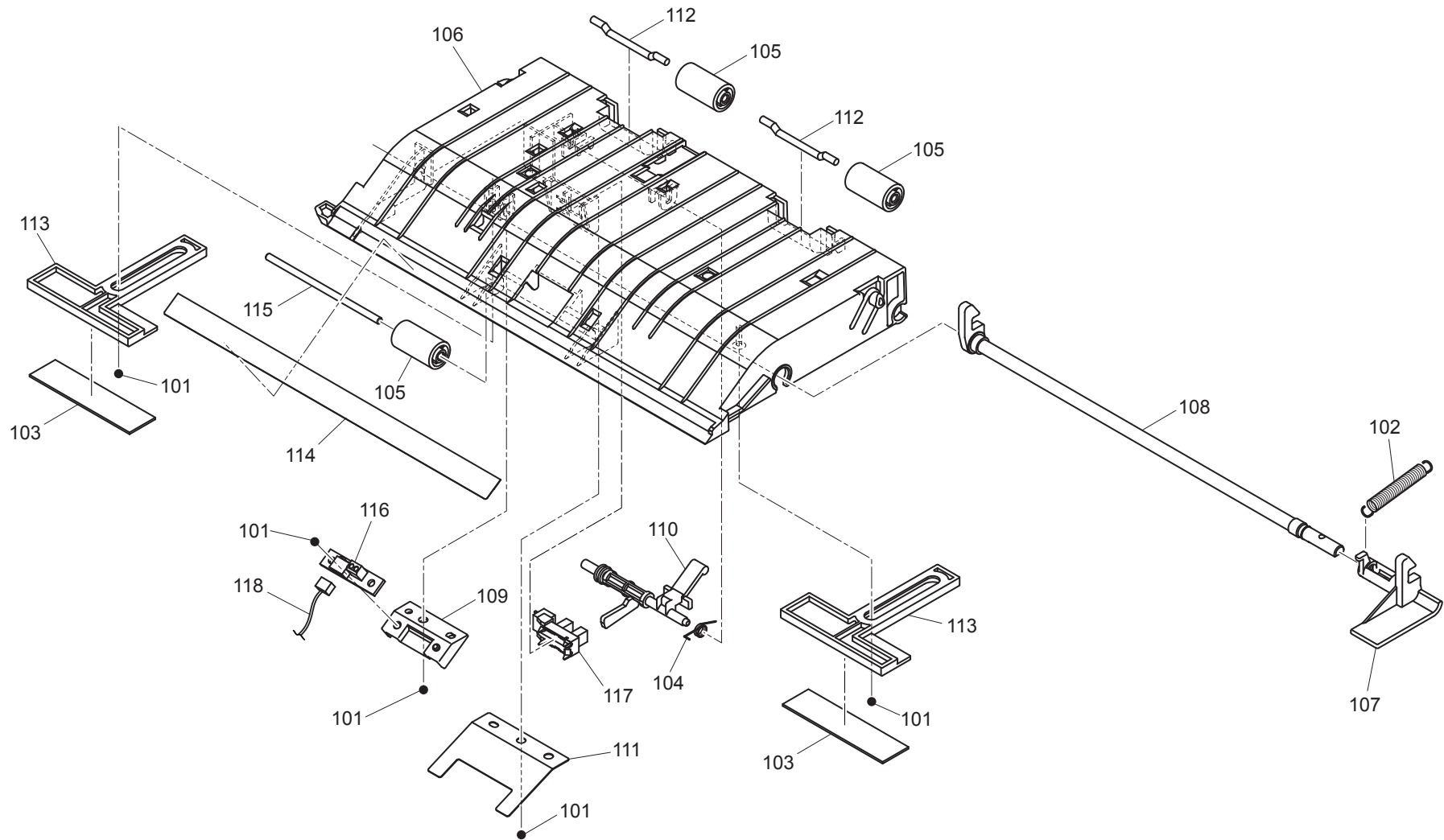
DD1362

Illustrated Part List 6
URADF DRIVE FRONT

DD1-009

NO	F	PARTS NO	PARTS NAME	QTY
009-101		D99600206X	SCREW P-TITE-CUP (3C) 3X8	3
102		D99630106X	SCREW PHR (3C) 3X6	2
103	*	D99660306X	PIN PK 2X12	1
104	*	D99661406X	PIN PK 3X16	1
105		DD1102506X	PLATE FG FRONT	1
106		DD1103806X	GEAR 54 0.5	1
107		DD1104406X	GEAR 43 0.5	1
108		DD1104906X	BRACKET GEAR REVERSE	1
109		DD1105006X	BRACKET SOLENOID A	1
110		DD1105106X	SPRING C REVERSE BRACKET	1
111	*	Z90728280X	SOLENOID ROLLER	1
112	*	Z90728300X	SOLENOID GUIDE	1

DD1-010



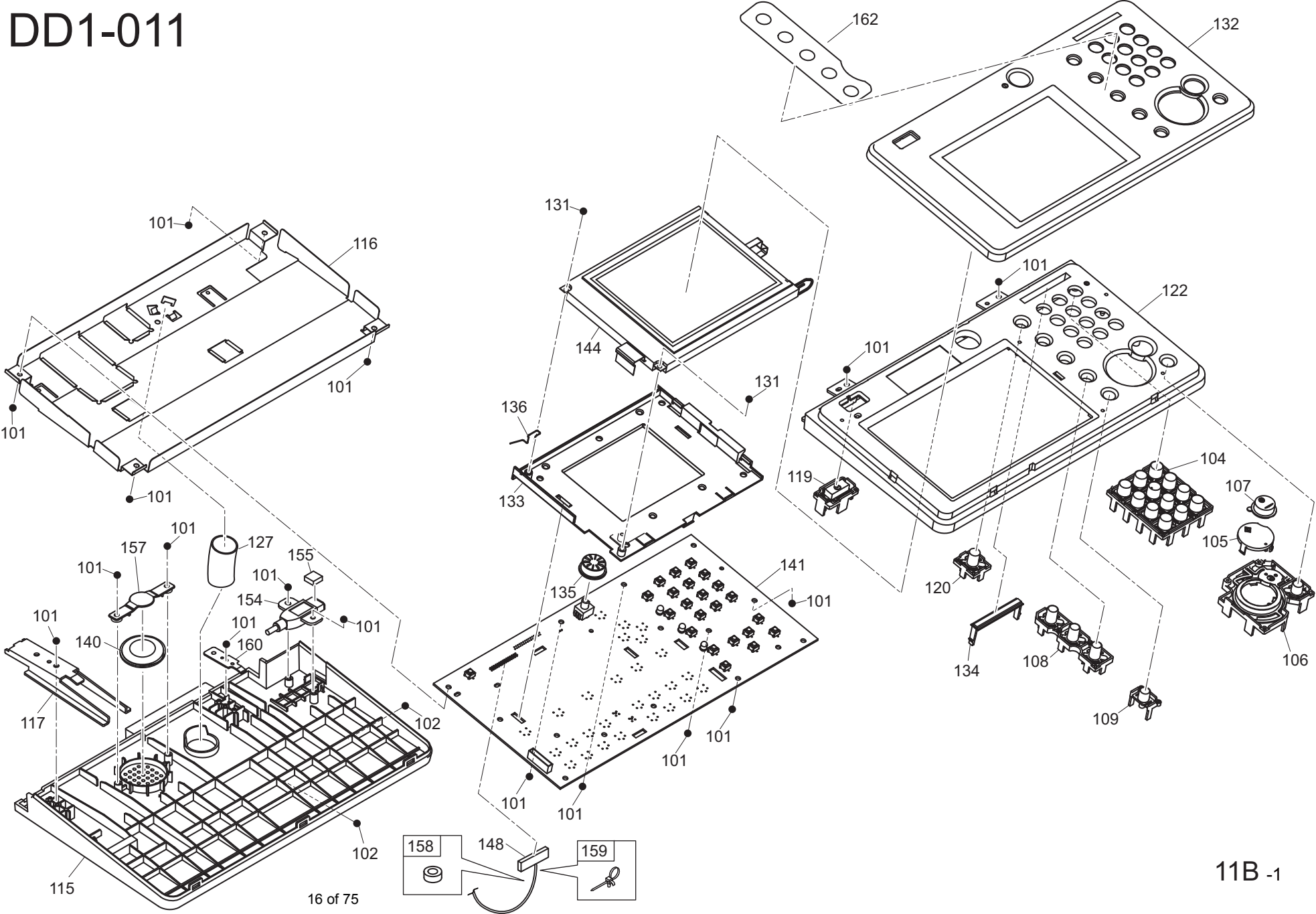
DD1362

Illustrated Part List 7
URADRF GUIDE OUTER

DD1-010

NO	F	PARTS NO	PARTS NAME	QTY
010-101		D99600206X	SCREW P-TITE-CUP (3C) 3X8	5
102		DD1108606X	SPRING C KNOB	1
103		DB5103306X	TAPE PLATEN B	2
104		DC4108206X	SPRING T DRS	1
105		DD1103406X	PRESS ROLLER A	3
106		DD1106606X	GUIDE OUTER D	1
107		DD11067G6X	KNOB LOCK	1
108		DD1106806X	SHAFT LOCK	1
109		DD1106906X	BRACKET DS3	1
110		DD1107006X	FEELER DEXIT	1
111		DD1107106X	SPRING P FEED 3	1
112		DD1107206X	SPRING C EXIT	2
113		DD1107306X	BRACKET PRESS SHEET	2
114		DD1107506X	SHEET GUIDE OUTER D	1
115		DD1108506X	SHAFT PRESS ROLLER B	1
116		DD1081205XX	PCB RS	1
117		Z08133580X	PHOTO INTERRUPTER	1
118		DD1082405XX	CABLE-ASSY ADF SENSOR	1

DD1-011



DD1362

Illustrated Part List 8

PANEL

DD1-011

NO	F	PARTS NO	PARTS NAME	QTY
011-101		D99600206X	SCREW P-TITE-CUP (3C) 3X8	17
102		D99610206X	SCREW S-TITE-CUP (3C) 3X8	2
104		DC10311K5X	KEY TEN	1
105		DC1031246X	KEY START A	1
106		DC10313W6X	KEY START B	1
107		DC10314V6X	KEY STOP	1
108		DC10317W6X	KEY MODE C	1
109		DC10318T6X	KEY MODE D	1
115		DD10302B6X	CHASSIS PANEL LOWER	1
116		DD1030506X	COVER PCB PANEL	1
117		DD1030606X	STAY PANEL	1
119		DD10313B6X	KEY MODE A	1
120		DD10314B6X	KEY MODE B	1
122		DD10301B6X	COVER PANEL	1
131		D99605206X	SCREW P-TITE (3C) 3X8	2
132		DD10336B6X	COVER PANEL	1
133		DD1031006X	BRACKET LCD MID	1
134		DD10311W6X	COVER LED	1
135		DD1031236X	KNOB VOLUME	1
136		DD1033406X	SPRING T FG LCD MID	1
140		DD1087004XX	CABLE-ASSY SPEAKER	1
141		DD1090325XX	PCB PANEL	1
144		ZA10458100	DISPLAY LCD	1
148		DD1088205XX	CABLE-ASSY PANEL	1
154		Z90741150X	CABLE-ASSY USB CABLE	1
155		ZA10449940	GASKET	1
157		DD1030806X	HOLDER SPEAKER	1
158		ZA10092100	CORE	1
159		ZA10372800	CABLE BAND	1

NO	F	PARTS NO	PARTS NAME	QTY
011-160		DD1033506X	STAY PANEL R	1
162		DD1076306X	LABEL OVERLAY	1

DD1362

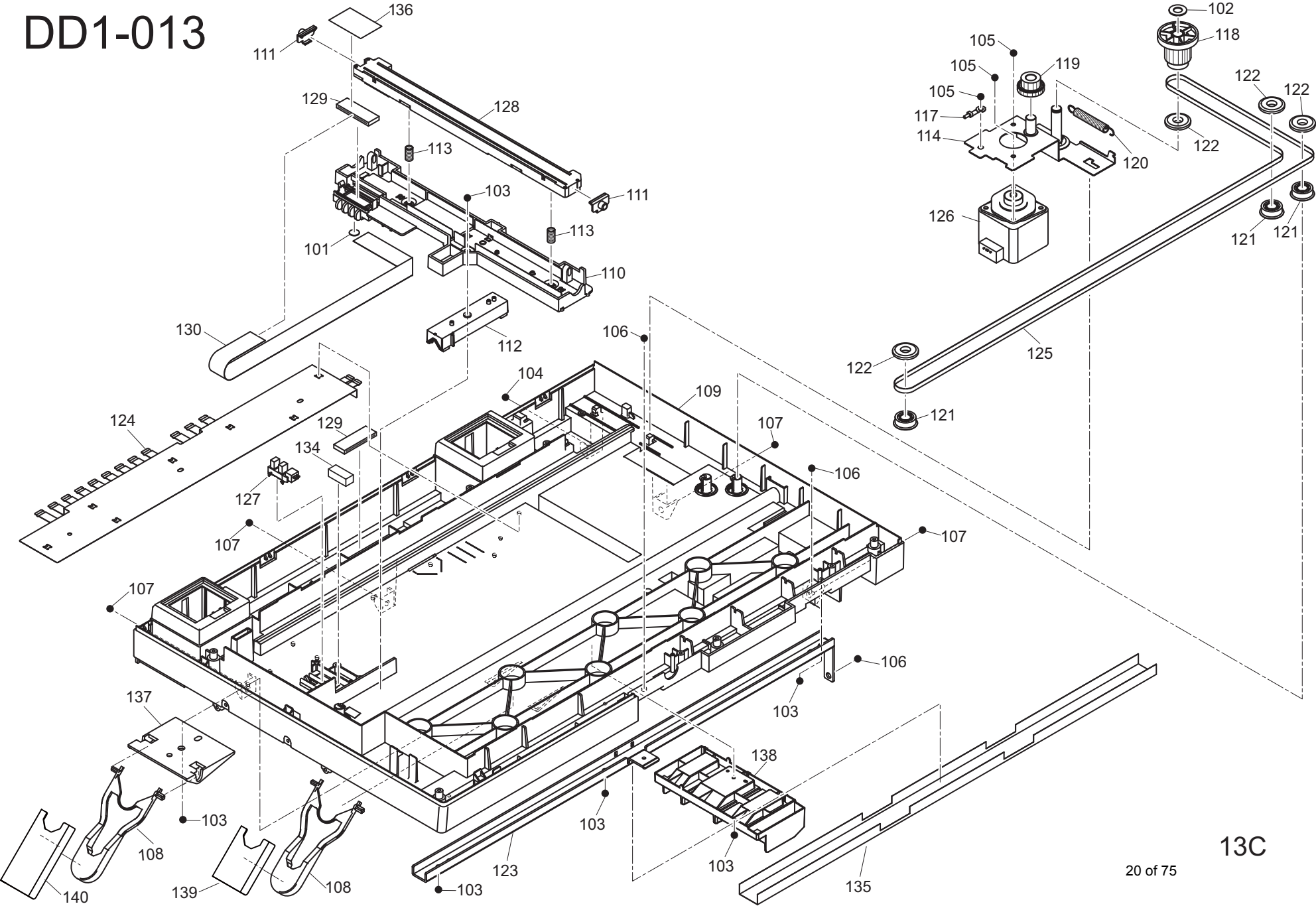
Illustrated Part List 9

TOP COVER

DD1-012

NO	F	PARTS NO	PARTS NAME	QTY
012-101	*	DA7052206X	PANE	1
102	*	D88054806X	SHEET BACKGROUND SEAL	1
103		D99600206X	SCREW P-TITE-CUP (3C) 3X8	3
104	*	DD1050306X	GLASS CONTACT	1
105	*	DD10502B6X	COVER TOP FBS	1
107	*	DD1053206X	SPRING C FG GLASS CONTACT	1
108	*	DD1053306X	SHEET FG GLASS CONTACT	1

DD1-013



DD1362

Illustrated Part List 10

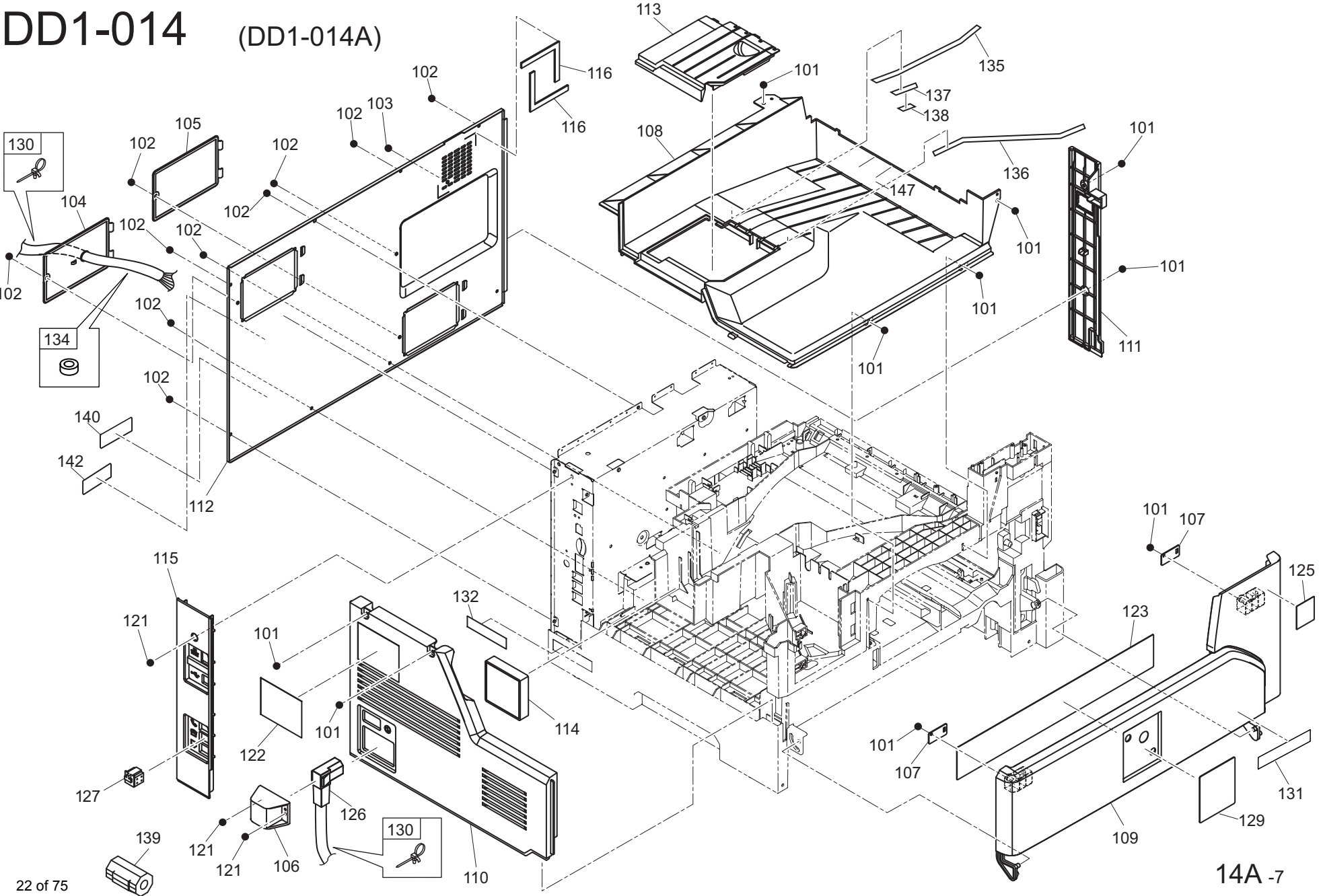
CHASSIS SCANNER

DD1-013

NO	F	PARTS NO	PARTS NAME	QTY
013-101		D88053906X	SHEET SLIDER	1
102		D99015006X	STOPPER RING 7	1
103		D99600206X	SCREW P-TITE-CUP (3C) 3X8	5
104		D99601306X	SCREW P-TITE-CUP (3C) 4X10	1
105		D99610106X	SCREW S-TITE-CUP (3C) 3X6	3
106		D99610206X	SCREW S-TITE-CUP (3C) 3X8	3
107		D99611206X	SCREW S-TITE-CUP (3C) 4X8	4
108		DC4257906X	WEIGHT PAPER B	1
109		DD10501B6X	CHASSIS FBS	1
110		DD1050406X	HOLDER CIS	1
111		DD1050506X	SPACER CIS	2
112		DD1050606X	GUIDE BAR	1
113		DD1050706X	SPRING C CIS	2
114		DD1050805X	BRACKET MOTOR	1
117		DD1089005XX	CABLE-ASSY FBS MOTOR-FG	1
118		DD1051106X	GEAR 81/27P	1
119		DD1051206X	GEAR 39/43	1
120		DD1051306X	SPRING C TENSION	1
121		DD1051406X	PULLEY 27	3
122		DD1051506X	FLANGE PULLEY	4
123		DD1051706X	STAY FRONT	1
124		DD1051806X	PLATE FBS BOTTOM	1
125		Z08208740X	BLT(TM) 30S2M1224 GB 612T 3W	1
126		ZA10437460	FBS MOTOR	1
127		Z08133580X	PHOTO INTERRUPTER	1
128		Z90728430X	CIS	1
129		ZA10280830	CORE	2
130		ZA104501A0	FFC CIS	1

NO	F	PARTS NO	PARTS NAME	QTY
013-134		DD1052106X	SPACER SENSOR	1
136		DD1052306X	SHEET CIS FFC	1
138		DD1379506X	GUIDE RIB FBS DECARL	1

DD1-014 (DD1-014A)



DD1362

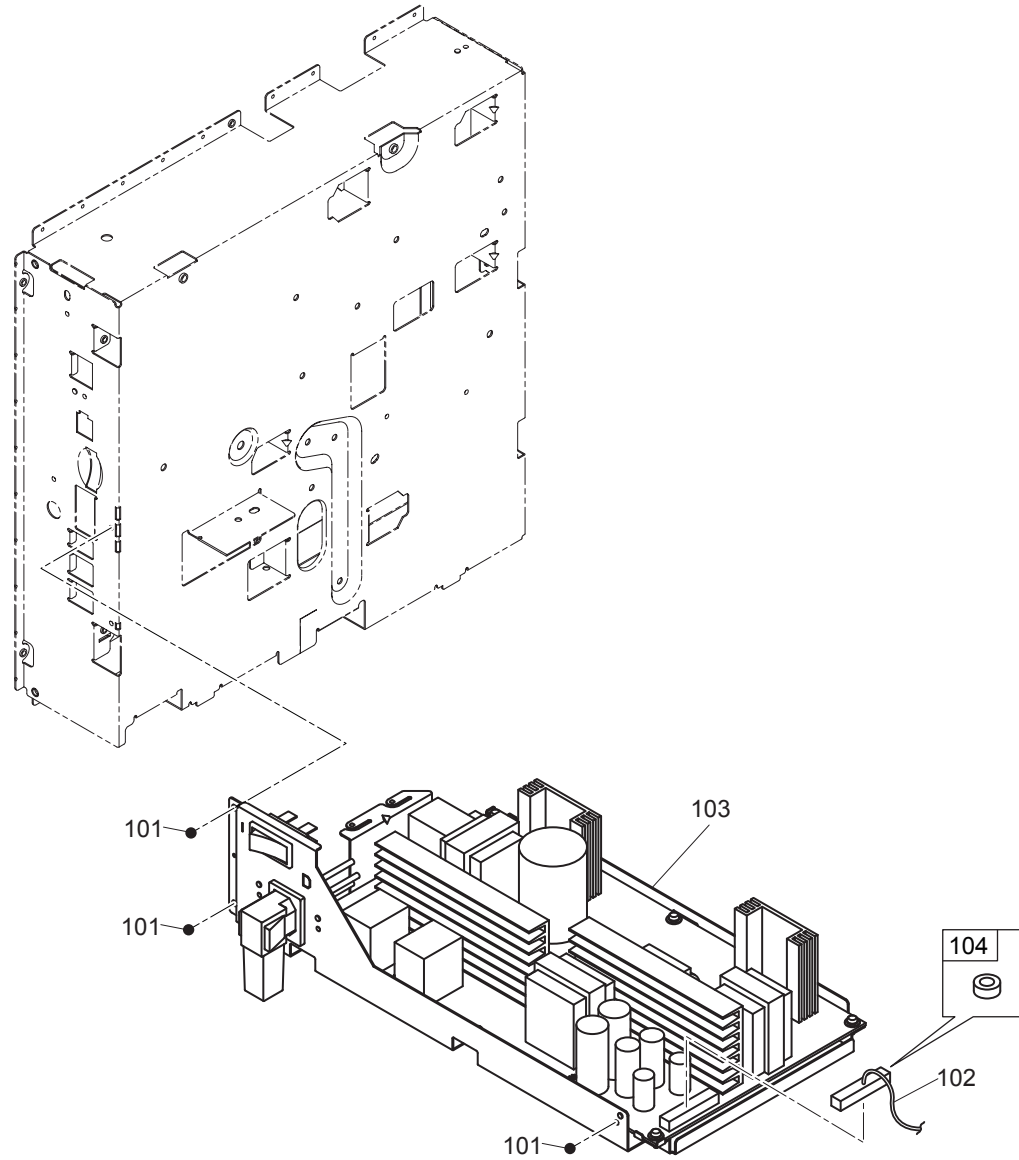
Illustrated Part List 11

PRINTER COVER

DD1-014

NO	F	PARTS NO	PARTS NAME	QTY
014-101		D99600206X	SCREW P-TITE-CUP (3C) 3X8	10
102		D99610106X	SCREW S-TITE-CUP (3C) 3X6	10
103		D99610306X	SCREW S-TITE-CUP (3C) 3X10	1
104		DB2031006X	PLATE PRINTER B	1
105		DB5031306X	COVER BACK WINDOW	1
107		DC2365906X	PLATE COVER F	2
108		DD1364936X	COVER TRAY	1
109		DD1361616X	COVER FRONT	1
110		DD1361716X	COVER LEFT	1
111		DD1361816X	COVER RIGHT	1
112		DD1361906X	COVER BACK	1
113		DD1362636X	COVER TRAY WINDOW	1
114		DD1362706X	FILTER OZONE 60	1
115		DD1365516X	COVER L B	1
116		DD1366106X	SPONGE FAN	2
121		D99610206X	SCREW S-TITE-CUP (3C) 3X8	1
122		D990748A6X	LABEL USB DIRECTIONS D	1
123		DD1071006X	SHEET COVER FRONT	1
125		D990151A6X	LABEL LOGO ENERGY STAR B	1
127		D13032006X	COVER MODULAR	1
129		DD1071805X	LABEL LOGO	1
130		ZA10372800	CABLE BAND	1
131		DD10719A6X	LABEL NAME	1
132	*	DD1079406X	LABEL ID	1
134		ZA10103760	CORE	1
135		DD1366806X	SPONGE SEAL DUCT A	1
136		DD1366906X	SPONGE SEAL DUCT B	1
137		DD1367006X	SPONGE SEAL DUCT C	1

NO	F	PARTS NO	PARTS NAME	QTY
014-138		DD1367106X	SPONGE SEAL DUCT D	1
147		DD1379606X	SHEET TRAY	1



DD1362

Illustrated Part List 12
PRINTER POWER SUPPLY/NCU

DD1-015

NO	F	PARTS NO	PARTS NAME	QTY
015-101		D99610106X	SCREW S-TITE-CUP (3C) 3X6	2
102		DD1082104XX	ASSY LVPS-CABLE	1
103		DD1Y91014XX	PCB PSU	1
104		ZA10103760	CORE	1

DD1362

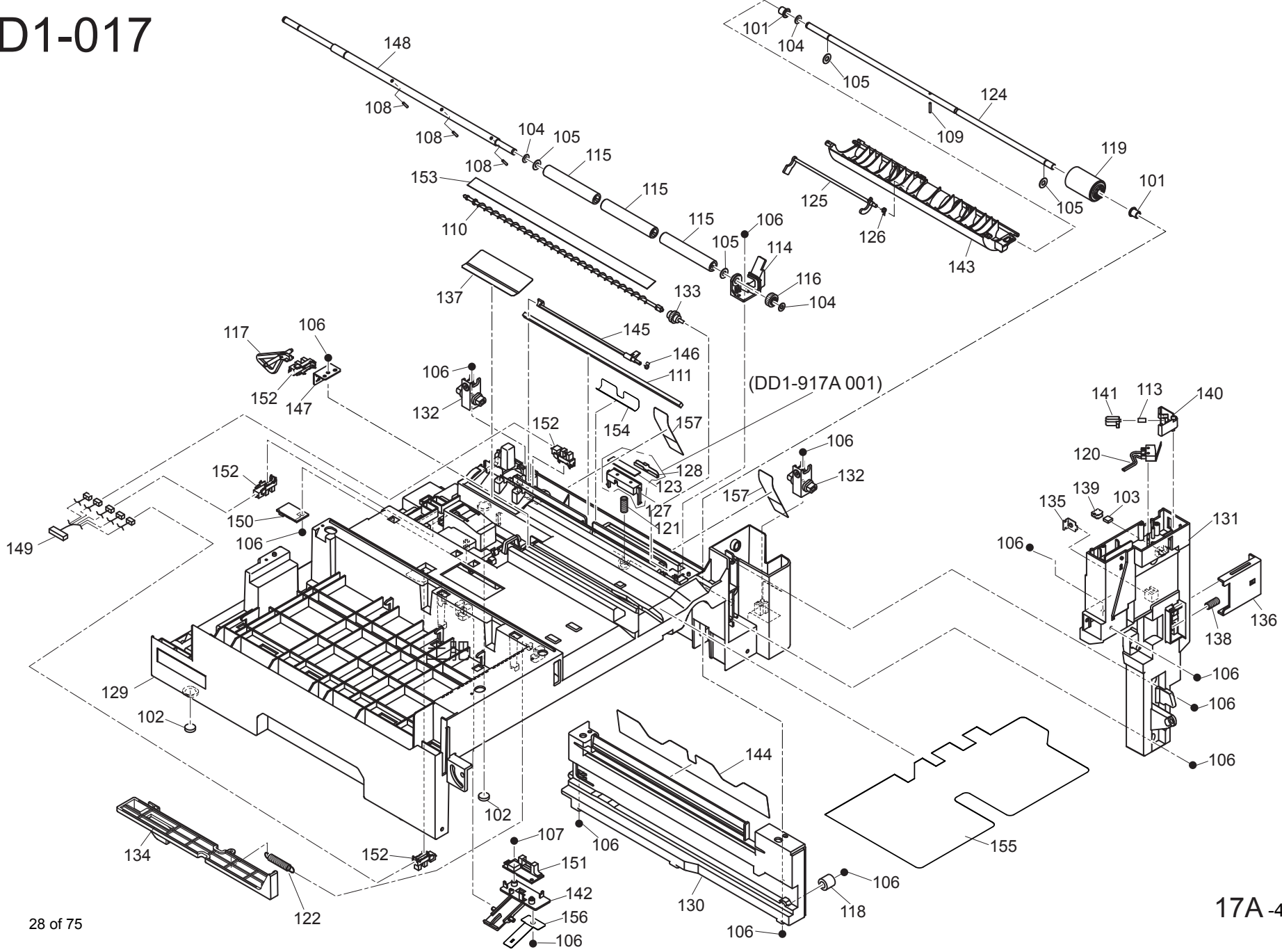
Illustrated Part List 13

PRINTER PCB MAIN

DD1-016

NO	F	PARTS NO	PARTS NAME	QTY
016-101		D99600206X	SCREW P-TITE-CUP (3C) 3X8	5
102		D99610106X	SCREW S-TITE-CUP (3C) 3X6	16
103		DB2447506X	SHEET DISCHARGE CST	1
104		DD1362406X	FRAME PCB	1
105		Z06712345X	SPACER KGLS8S	1
106		Z07703680X	CBL-CLAMP LWSM-0605	5
107		Z07703690X	CBL-CLAMP LWSM-0511	4
108		DD1082205XX	CABLE-ASSY NCU	1
109		DD1082705XX	CABLE-ASSY HS	1
110		DD1082804XX	ASSY PRT-CABLE	1
111		DD1083404XX	ASSY FAN-CABLE	1
112		DD1084705XX	CABLE-ASSY HV(CHG)	1
113		DD1084805XX	CABLE-ASSY HV(GRD)	1
114		DD1084905XX	CABLE-ASSY HV(DEV/SPL)	1
115		DD1085005XX	CABLE-ASSY HV(TRS)	1
116		DD1088005XX	CABLE-ASSY HVPS	1
117	*	DD1090125XX	PCB MAIN	1
118		DD1090225XX	PCB NCU	1
119		Z90726470X	PCB HV	1
120	*	ZA10469170	SD MEMORY CARD	1
121		ZA10092100	CORE	2
122		ZA10103760	CORE	1
123		Z07462910X	CONNECTOR(ASSY FAN-CABLE)	1
124		Z07055638X	CONNECTOR(ASSY FAN-CABLE)	1
126		DD1082904XX	ASSY PRINT SENSOR1-CABLE	1
127		Z07462900X	CN BU04P-TR-P-H(LF)(SN) 4P GRY	1
128		DD1085305XX	CBL-ASSY PRT OPTION	1
129		DD1083305XX	CBL-ASSY INTERLOCK	1

NO	F	PARTS NO	PARTS NAME	QTY
016-130	*	DD1SF0356X	SOFTWARE(SD)	1
131		DC2369706X	SPRING P FG MAIN	1
133	*	DD1SF0226X	SOFTWARE(BOOT)	1



DD1362

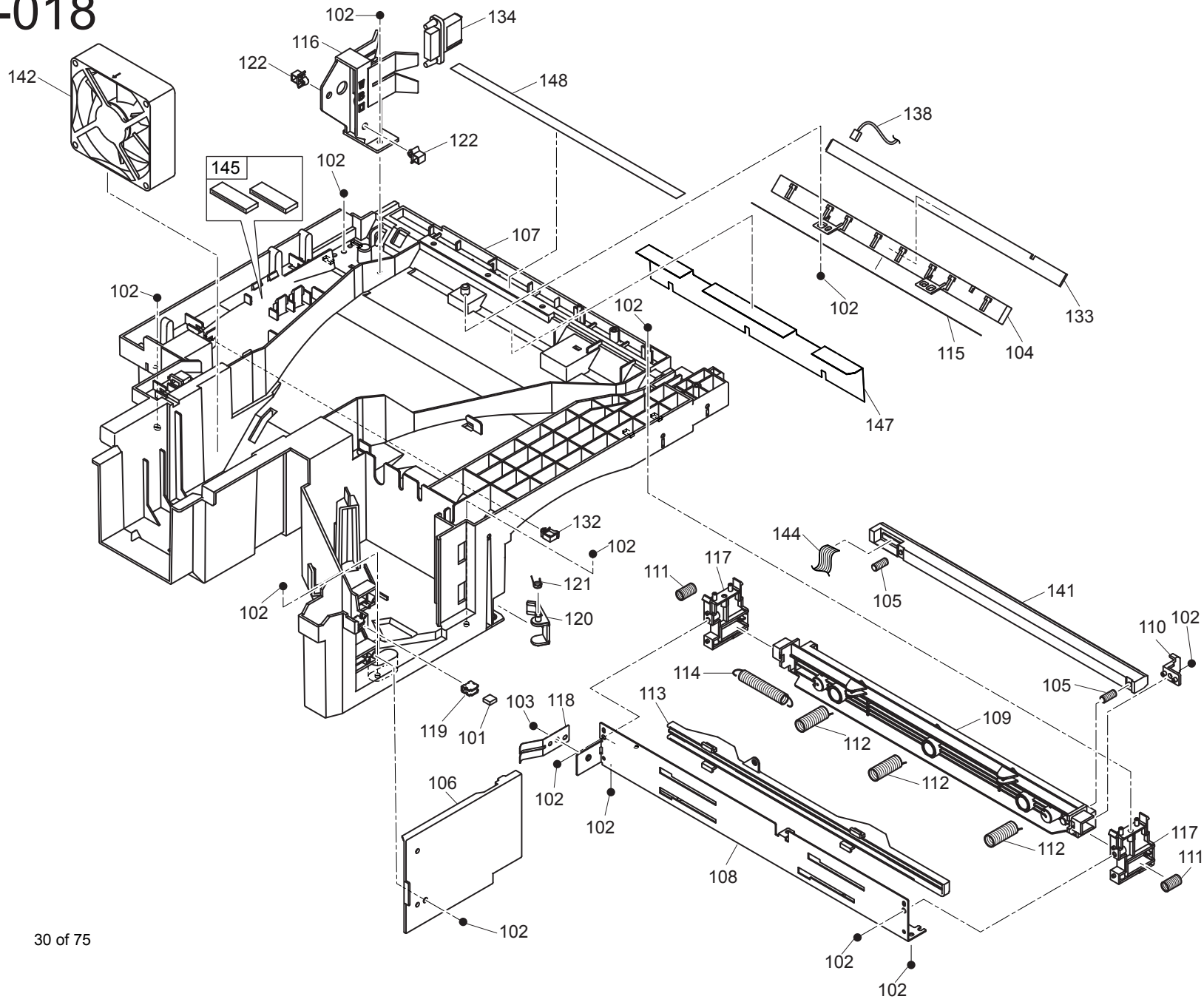
Illustrated Part List 14
PRINTER CHASSIS 1

DD1-017

NO	F	PARTS NO	PARTS NAME	QTY
017-101		D28021206X	BEARING D6 8	2
102		D48001006X	FOOT	2
103		D71054806X	MAGNET	1
104		D99014706X	STOPPER RING 4	3
105		D99014806X	STOPPER RING 5	4
106		D99600206X	SCREW P-TITE-CUP (3C) 3X8	13
107		D99605206X	SCREW P-TITE (3C) 3X8	1
108		D99665206X	PIN PPB 2X10	3
109		D99665306X	PIN PPB 2X12	1
110		DA7362506X	SCREW CLEANER	1
111		DA7362606X	SPONGE CLEANER REGISTER	1
113		DA7367606X	SPRING C IL PIN	1
114		DA7371206X	GUIDE PRESS F	1
115		DA7371706X	PRESS ROLLER REGISTER	3
116		DA7371906X	GEAR 15H 0.8	1
117		DA7372506X	FEELER PAPER CST	1
118		DB2444506X	ROLLER CST L	1
119		DC2356305X	ROLLER PICKUP MP	1
120		DD1083704XX	ASSY INTERLOCKSW-CBL	1
121		DC2356706X	SPRING C PRESSURE MP	1
122		DC2362606X	SPRING C KNOB TOS	1
123	*	DC2356606X	PAD PRESSURE MP	1
124		DD1356106X	SHAFT PICKUP MP	1
125		DD1356206X	FEELER MP	1
126		DD1356306X	SPRING T FEELER MP	1
127	*	DC2356506X	PIECE PRESSURE MP	1
128	*	DD1356606X	SHEET PRESSURE MP	1
129		DD1360116X	CHASSIS MAIN	1
130		DD13602B6X	HOLDER CST	1

NO	F	PARTS NO	PARTS NAME	QTY
017-131		DD1360306X	CHASSIS PILLAR	1
132		DD1360506X	PIECE PIVOT JAC	2
133		DD1360606X	GEAR 13H 0.8	1
134		DD1360806X	LINK TOS	1
135		DD1362206X	PLATE NUT	1
136		DD1362306X	STOPPER DRUM	1
137		DD1363706X	SHEET DUST	1
138		DD1364706X	SPRING C STOPPER DRUM	1
139		DD1365006X	HOLDER MAGNET	1
140		DD1365606X	ARM IL	1
141		DD1365706X	PIN IL	1
142		DD1365806X	BRACKET TOS TC	1
143		DD1371906X	GUIDE DUP MP	1
144		DD1372306X	SHEET HOLDER CST	1
145		DD1372406X	FEELER PRS	1
146		DD1372506X	SPRING T PRS	1
147		DD1372606X	BRACKET SENSOR	1
148		DD1372806X	SHAFT REGIST	1
149		DD1083805XX	CABLE-ASSY PRT SNSR3	1
150		Z90583750X	SENSOR(TEMP)	1
151		DD1081105XX	PCB TOS	1
152		Z08133580X	PHOTO INTERRUPTER	4
153		DA7362706X	SHEET SCREW CLEANER	1
154		DD1372206X	SHEET CHASSIS GUIDE	1
155		DD1366206X	SHEET CHASSIS MAIN	1
156		DD1367206X	SPRING P TOS TC	1
157		DD1364806X	SHEET MP	2

DD1-018



DD1362

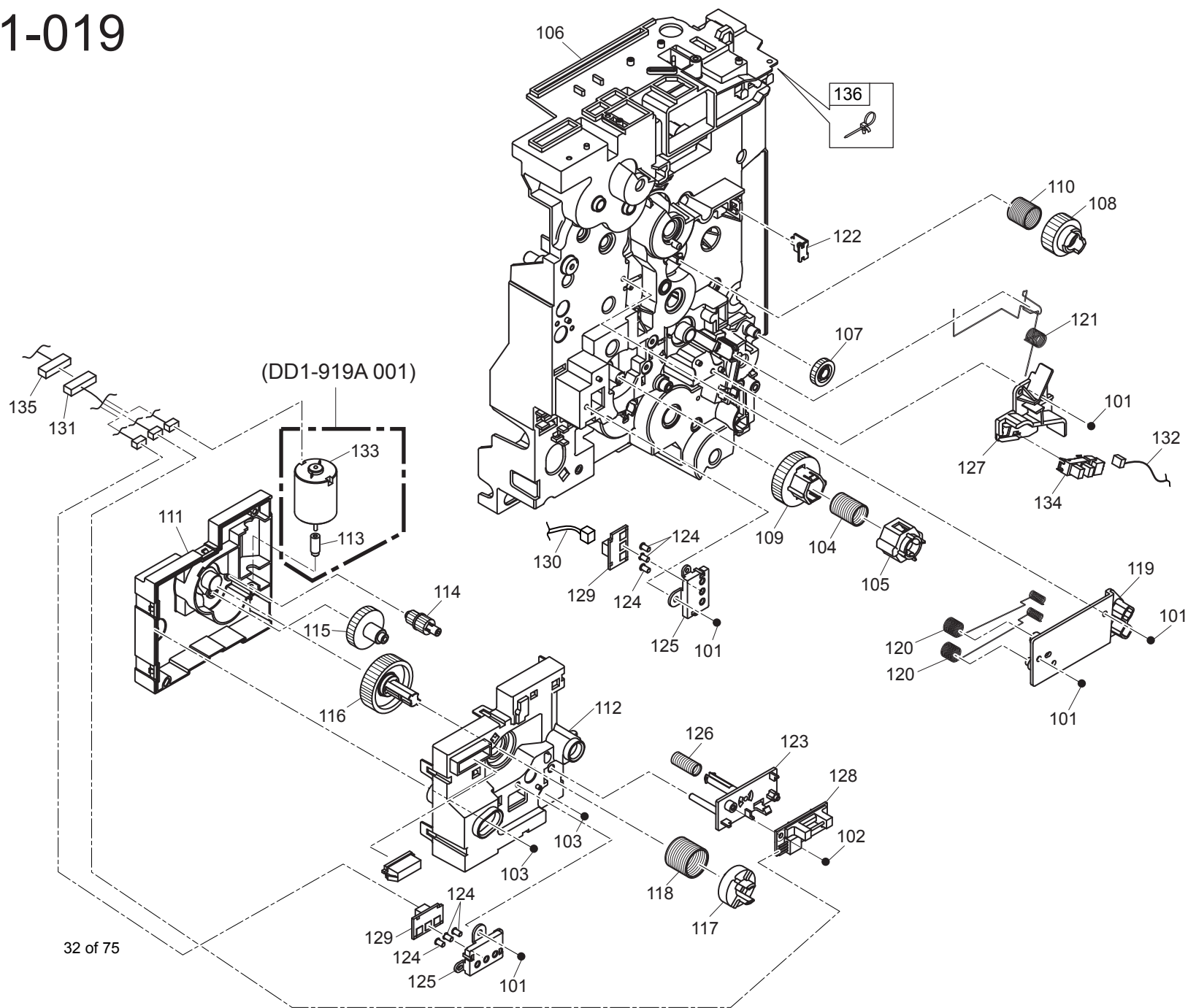
Illustrated Part List 15
PRINTER CHASSIS 2

DD1-018

NO	F	PARTS NO	PARTS NAME	QTY
018-101		D71054806X	MAGNET	1
102		D99600206X	SCREW P-TITE-CUP (3C) 3X8	13
103		D99610106X	SCREW S-TITE-CUP (3C) 3X6	1
104		DA7374906X	BRACKET PCB LED	1
105		DC2363706X	SPRING C LED	2
106		DD1258106X	COVER STAPLER	1
107		DD1360406X	DUCT MAIN	1
108		DD1362806X	STAY LPH	1
109		DD1362906X	HOLDER LPH A	1
110		DD1363006X	HOLDER LPH B	1
111		DD1363106X	SPRING C HOLDER	2
112		DD1363206X	SPRING C FG LPH	3
113		DD1363306X	KNOB LPH	1
114		DD1363406X	SPRING C KNOB LPH	1
115		DD1363506X	SHEET ERS PCB	1
116		DD1363606X	BRACKET CONNECTOR	1
117		DD1364506X	FRAME LPH	2
118		DD1364606X	SPRING P FG LPH	1
119		DD1365006X	HOLDER MAGNET	1
120		DD1365906X	STOPPER WT	1
121		DD1366006X	SPRING T STOPPER WT	1
122		Z07080993X	CBL-BAND SG110 110MM 94V2 WHI 3.3W	2
132		Z07703680X	CBL-CLAMP LWSM-0605	1
133		DD1081405XX	PCB ERS LAMP	1
134		DD1084304XX	ASSY HEATER(PSU)-CABLE	1
138		DD1088105XX	CABLE-ASSY ERS	1
141		Z90726490X	PRINTER-HEAD	1
142		ZA10236440	FAN L	1

NO	F	PARTS NO	PARTS NAME	QTY
018-144		ZA10438370	FFC LPH	1
145		ZA10363160	CORE	2
147		DD1366606X	SHEET DUCT A	1
148		DD1366706X	SHEET DUCT B	1

DD1-019



DD1362

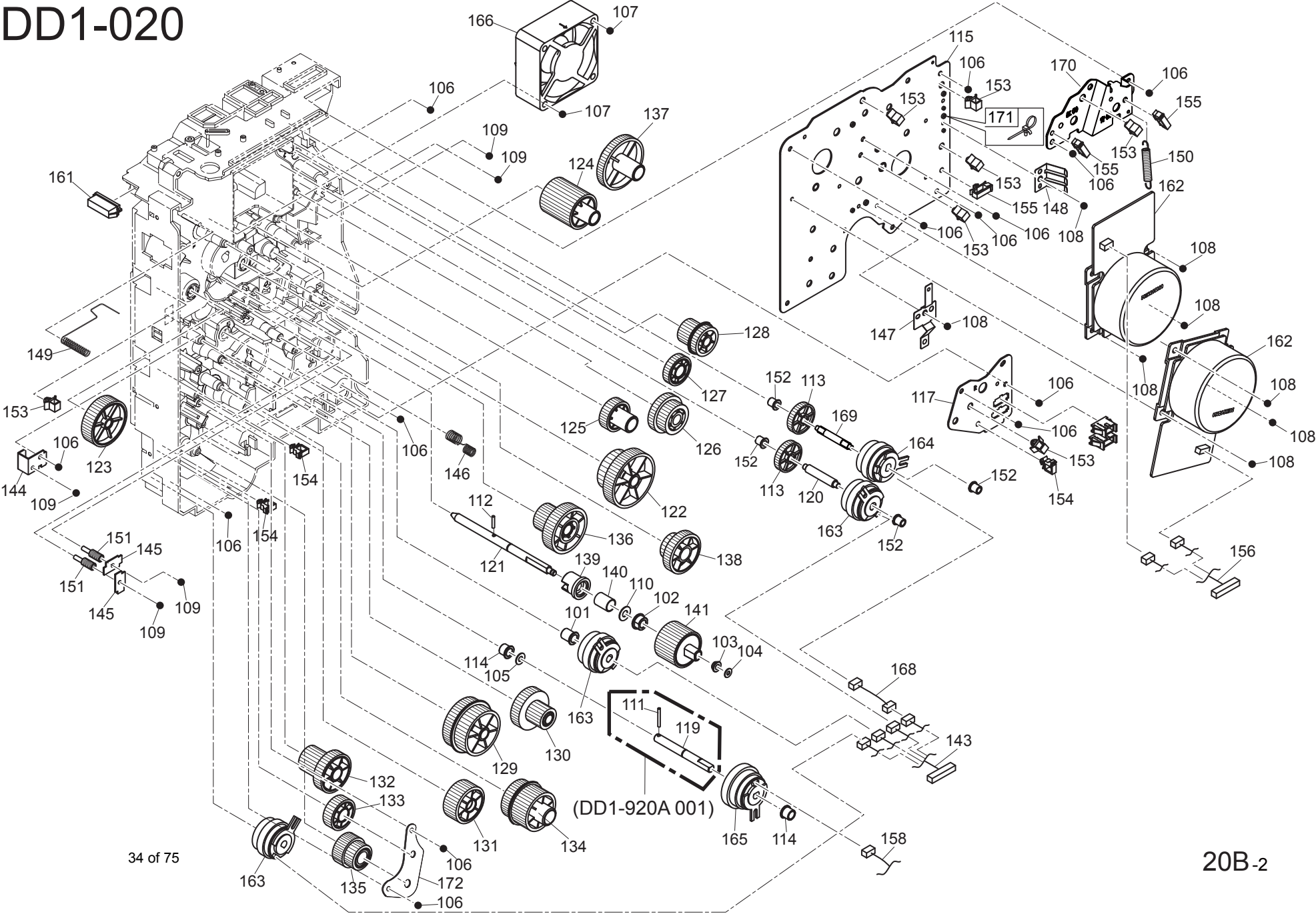
Illustrated Part List 16
 PRINTER DRIVE FRONT

DD1-019

NO	F	PARTS NO	PARTS NAME	QTY
019-101		D99600206X	SCREW P-TITE-CUP (3C) 3X8	5
102		D99605206X	SCREW P-TITE (3C) 3X8	1
103		D99610206X	SCREW S-TITE-CUP (3C) 3X8	2
104		DA7342806X	SPRING C COUPLING	1
105		DA7343506X	COUPLING	1
106		DD1340106X	CHASSIS DRIVE	1
107		DD1341906X	GEAR 21 0.8	1
108		DD1342606X	GEAR 39H 0.6 COUPLING WT	1
109		DD1342706X	GEAR 41 0.8 COUPLING DEV	1
110		DD1343006X	SPRING C COUPLING WT	1
111		DD1343106X	CASE TC A	1
112		DD1343206X	CASE TC B	1
113	*	DD1343306X	GEAR WORM TC	1
114		DD1343406X	GEAR 17W/11 0.5/0.6	1
115		DD1343506X	GEAR 41/13 0.6/0.6	1
116		DD1343606X	GEAR 56 0.6	1
117		DD1343706X	COUPLING TC	1
118		DD1343806X	SPRING C TC	1
119		DD1361106X	FRAME DRUM BIAS	1
120		DD1361206X	SPRING C CHG	2
121		DD1361406X	SPRING C FG	1
122		DD1362206X	PLATE NUT	1
123		DD1363806X	HOLDER SENSOR DEV	1
124		DD1364106X	SPRING C CHIP	6
125		DD1364206X	HOLDER CHIP	2
126		DD1364406X	SPRING C SENSOR DEV	1
127		DD1371406X	GUIDE ROLLER REGIST B	1
128		DD1081105XX	PCB TOS	1

NO	F	PARTS NO	PARTS NAME	QTY
019-129		DD1080905XX	PCB TAG	2
130		DD1083505XX	CABLE-ASSY TAG	1
131		DD1084604XX	ASSY TP MOTOR BOX2	1
132		DD1087605XX	CABLE-ASSY PSS	1
133	*	Z90728570X	MOTOR TONER	1
134		Z08133580X	PHOTO INTERRUPTER	1
135		DD1084504XX	ASSY TP MOTOR BOX1	1
136		ZA10372800	CABLE BAND	1

DD1-020



DD1362

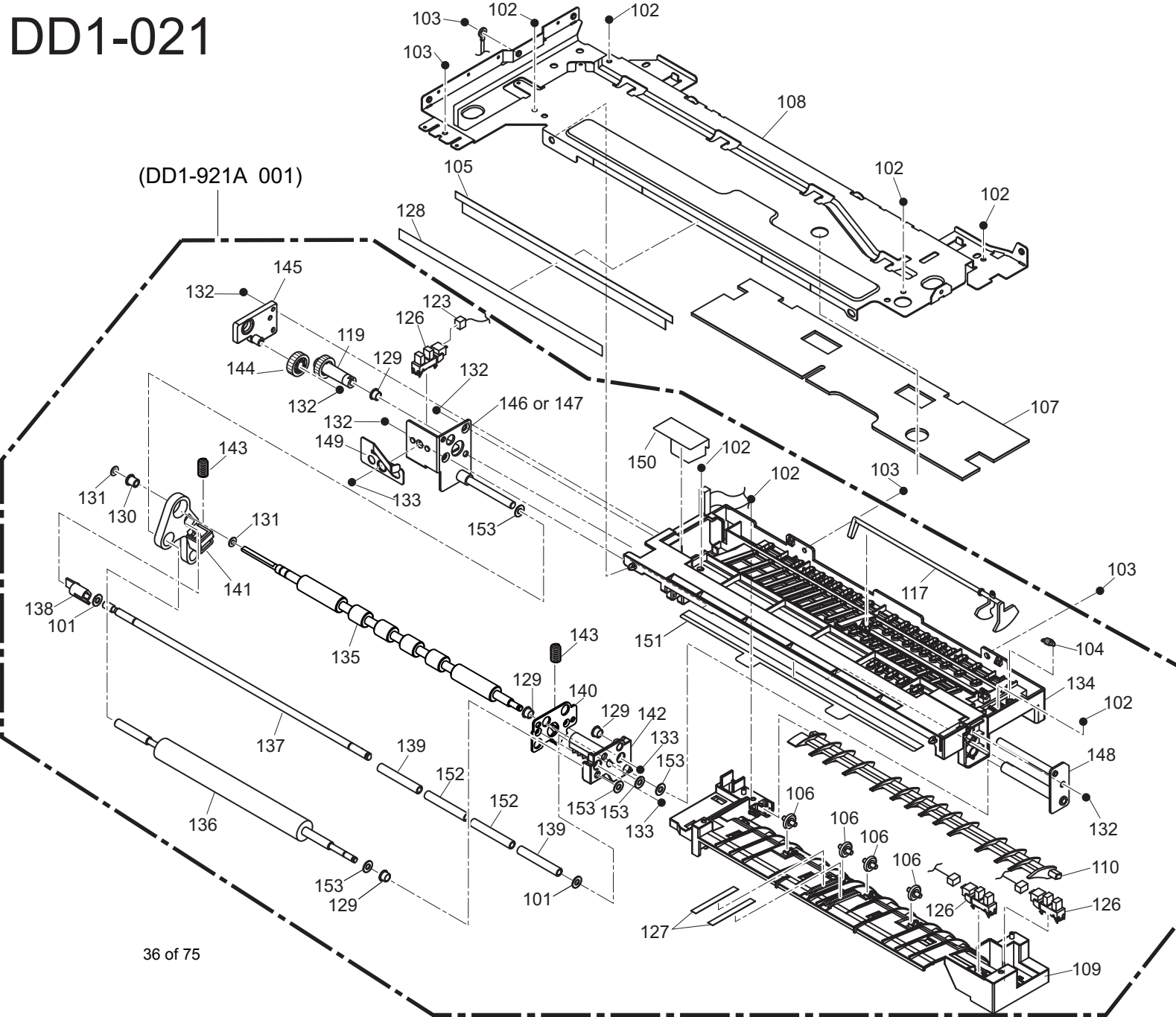
Illustrated Part List 17
 PRINTER DRIVE BACK

DD1-020

NO	F	PARTS NO	PARTS NAME	QTY
020-101		D28021206X	BEARING D6 8	1
102		D53422606X	BEARING C	1
103		D61012206X	BEARING D4 6	1
104		D99014606X	STOPPER RING 3	1
105		D99014706X	STOPPER RING 4	1
106		D99600206X	SCREW P-TITE-CUP (3C) 3X8	15
107		D99600806X	SCREW P-TITE-CUP (3C) 3X30	2
108		D99610106X	SCREW S-TITE-CUP (3C) 3X6	8
109		D99630406X	SCREW PHR (3C) 3X5	5
110		D99650506X	STOPPER DR (3C) 5	1
111	*	D99660406X	PIN PK 2X16	1
112		D99665206X	PIN PPB 2X10	1
113		DB2414306X	GEAR 32 0.8	2
114		DC2257106X	BEARING D6 8	2
115		DD1340205X	FRAME DRIVE A	1
117		DD1340306X	FRAME DRIVE B	1
119	*	DD1340506X	SHAFT CASSETTE	1
120		DD1340606X	SHAFT EXIT	1
121		DD1340706X	SHAFT DRUM	1
122		DD1340806X	GEAR 85H/31 0.5/1.0	1
123		DD1340906X	GEAR 71H 0.5	1
124		DD1341006X	GEAR 28 1.0	1
125		DD1341106X	GEAR 24 1.0	1
126		DD1341206X	GEAR 24/37 1.0/0.8	1
127		DD1341306X	GEAR 29 0.8	1
128		DD1341406X	GEAR 29/23 0.8/0.8	1
129		DD1341506X	GEAR 70H/49 0.5/0.8	1
130		DD1341606X	GEAR 39/21 0.8/0.8	1
131		DD1341706X	GEAR 37 0.8	1
132		DD1341806X	GEAR 39/25 0.8/0.8	1
133		DD1342006X	GEAR 31 0.8	1
134		DD1342106X	GEAR 39/37 0.8/0.8	1

NO	F	PARTS NO	PARTS NAME	QTY
020-135		DD1342206X	GEAR 25/16 0.8/1.5	1
136		DD1342306X	GEAR 71H/33H 0.5/0.6	1
137		DD1342406X	GEAR 67H/23 0.6/0.8	1
138		DD1342506X	GEAR 40/25 0.8/0.8	1
139		DD1342806X	COUPLING DRUM	1
140		DD1342906X	SPRING C DRUM	1
141		DD1343906X	GEAR 46H 0.6	1
143		DD1083104XX	ASSY PRT CLTCH-CBL	1
144		DD1360906X	PLATE TRANSFER	1
145		DD1361006X	PLATE DEV	2
146		DD1361306X	SPRING C DRIVE	1
147		DD1363906X	PLATE FG REGIST	1
148		DD1364006X	PLATE FG DRIVE	1
149		DD1364306X	SPRING C FUSER FG	1
150		DD1365306X	SPRING C EXIT FG	1
151		DD1365406X	SPRING C DEV	2
152		DD1375506X	BEARING D4 6	4
153		Z07080993X	CBL-BAND SG110 110MM 94V2 WHI 3.3W	7
154		Z07703680X	CBL-CLAMP LWSM-0605	3
155		Z07703690X	CBL-CLAMP LWSM-0511	3
156		DD1083205XX	CBL-ASSY PRT MOTOR	1
158		DD1087104XX	ASSY RES CLUTCH-CBL	1
162		ZA10461900	PRT MOTOR	2
163		Z90729200X	CLUTCH PRTR	3
164		Z90560690X	CLUTCH PRTR(RES)	1
165		Z90729220X	CLUTCH PRTR(PF)	1
166		ZA10338680	FAN S	1
168		DD1088505XX	CABLE ASSY CLUTCH2	1
169		DD1344306X	SHAFT EXIT 2	1
170		DD1344206X	FRAME DRIVE D	1
171		ZA10372800	CABLE BAND	1
172		DD1344406X	FRAME DRIVE OP	1

DD1-021



DD1362

Illustrated Part List 18
 PRINTER EXIT

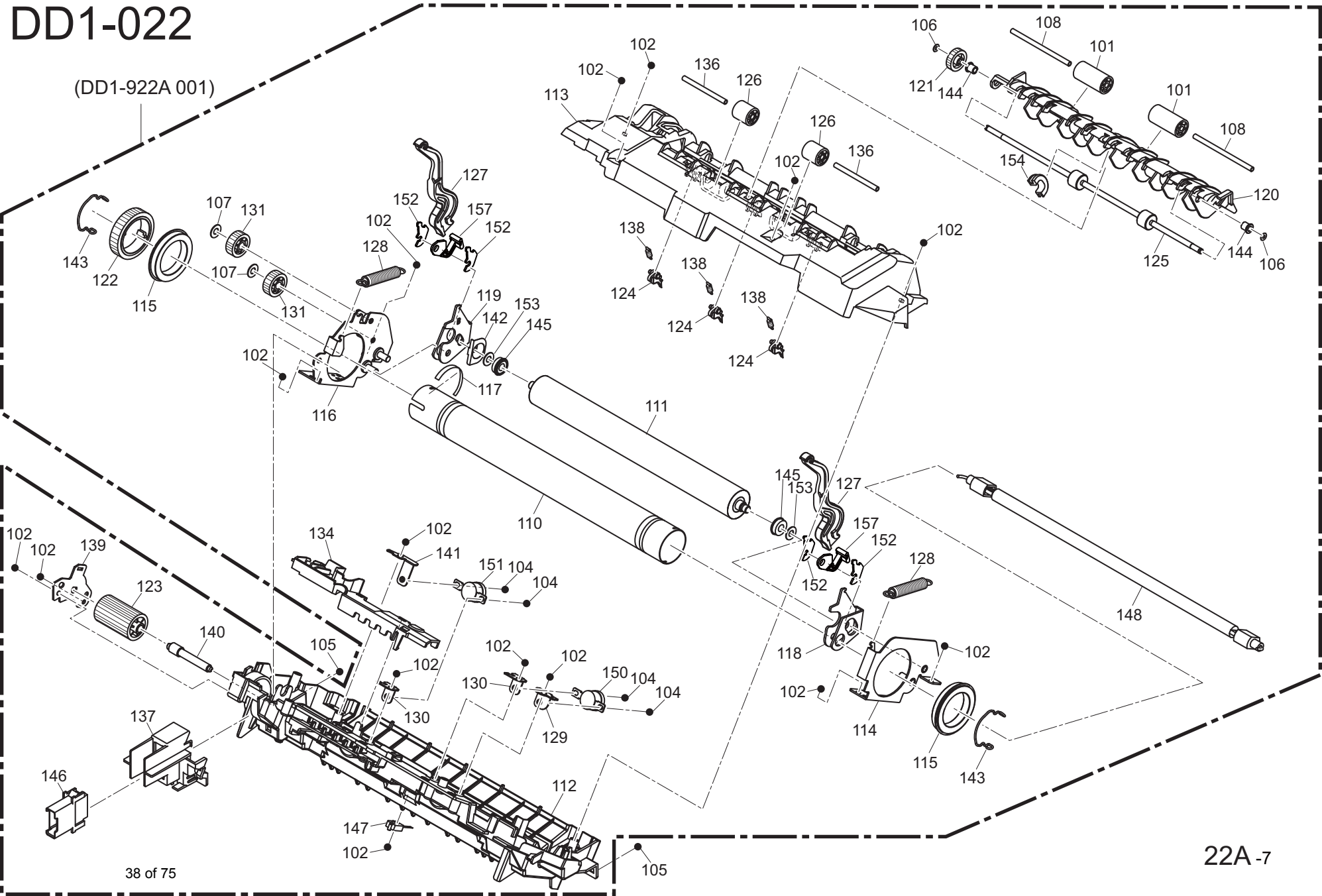
DD1-021

NO	F	PARTS NO	PARTS NAME	QTY
021-101	*	D99014606X	STOPPER RING 3	2
102		D99600206X	SCREW P-TITE-CUP (3C) 3X8	7
103		D99610106X	SCREW S-TITE-CUP (3C) 3X6	4
104	*	DA7372806X	SPRING C FEELER	1
105		DA7373006X	BRUSH DISCHARGE EXIT	1
106	*	DA7373306X	PRESS ROLLER EXIT SIDE	4
107		DD1360706X	SPONGE EXIT	1
108		DD1362106X	STAY TOP R	1
109	*	DD1375006X	GUIDE LOWER EXIT	1
110	*	DD1375106X	GUIDE CHANGE EXIT	1
117	*	DD1375806X	FEELER SENSOR EXIT	1
119	*	DD1376006X	GEAR 20 0.8	1
123	*	DD1083005XX	CABLE-ASSY PRT SNSR2	1
126	*	Z08133580X	PHOTO INTERRUPTER	2
127	*	DD1376606X	SHEET EXIT	2
128		DD1366406X	SHEET STAY TOP R	1
129	*	D61012206X	BEARING D4 6	4
130	*	D67012806X	BEARING D6	1
131	*	D99014806X	STOPPER RING 5	2
132	*	D99600106X	SCREW P-TITE-CUP (3C) 3X6	5
133	*	D99615106X	SCREW S-TITE (3C) 3X6	3
134	*	DD1377106X	GUIDE UPPER EXIT DECARL	1
135	*	DD1377206X	ROLLER EXIT DECARL	1
136	*	DD1377306X	ROLLER SPONGE DECARL	1
137	*	DD1377406X	SHAFT ROLLER DECARL	1
138	*	DD1377506X	CAP SHAFT DECARL	1
139	*	DD1377606X	PRESS ROLLER EXIT DECARL 8	2
140	*	DD1377706X	BRACKET ROLLER F DECARL	1

NO	F	PARTS NO	PARTS NAME	QTY
021-141	*	DD1377806X	BRACKET ROLLER B DECARL	1
142	*	DD1377906X	RACK SHIFT 1.5 DECARL	1
143	*	DD1378006X	SPRING C PRESS EXIT DECARL	2
144	*	DD1378106X	GEAR 19 0.8	1
145	*	DD1378206X	BRACKET GEAR DECARL	1
147	*	DD1378505X	BRACKET SHAFT GUIDE LM DECARL	1
148	*	DD1378605X	PLATE SHAFT GUIDE DECARL	1
149	*	DD1378906X	SPRING P FG EXIT DECARL	1
150	*	DD1379006X	SHEET EXIT AIRFLOW	1
151	*	DD1379106X	SHEET EXIT UPPER	1
152	*	DD1379406X	PRESS ROLLER EXIT DECARL 8.5	2
153	*	D99650306X	STOPPER DR(3C) 3	5

DD1-022

(DD1-922A 001)



DD1362

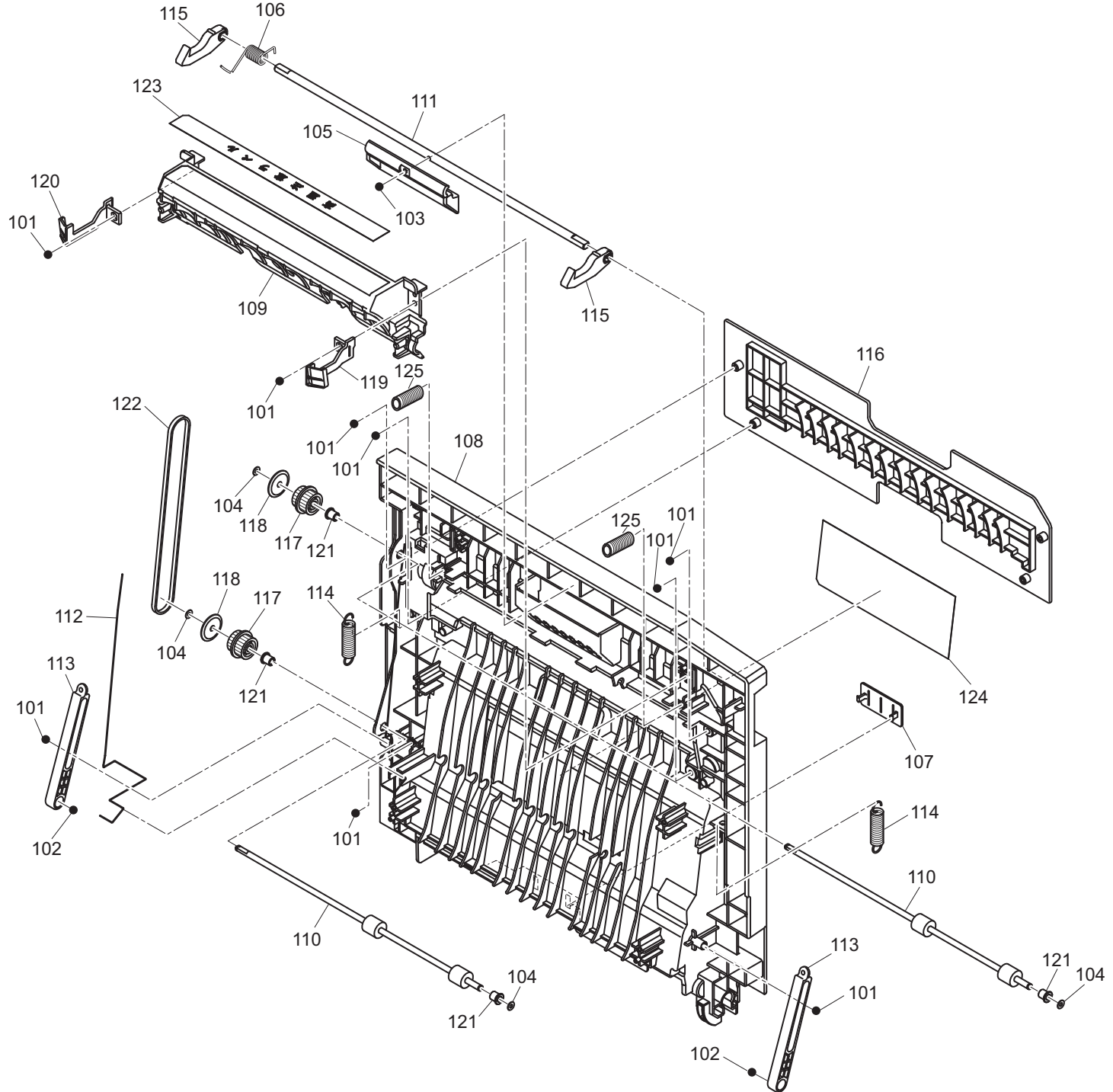
Illustrated Part List 19

PRINTER FUSER

DD1-022

NO	F	PARTS NO	PARTS NAME	QTY
022-101	*	D53100806X	ROLLER PRESS	2
102	*	D99627006X	SCREW B-TITE (3C) 3X12 (P=3)	15
104	*	D99630106X	SCREW PHR (3C) 3X6	4
105	*	D99630306X	SCREW PHR (3C) 3X10	2
106	*	D99650206X	STOPPER DR (3C) 2.5	2
107	*	D99650506X	STOPPER DR (3C) 5	2
108	*	DD1334206X	SPRING C GUIDE	2
110	*	DD1330106X	ROLLER HEAT	1
111	*	DD1330206X	ROLLER PRESS	1
112	*	DD1330305X	COVER BOTTOM	1
113	*	DD1330405X	COVER TOP	1
114	*	DD1330505X	FRAME SIDE F	1
115	*	Z08230270X	BEARING(RB)	2
116	*	DD1330605X	FRAME SIDE B	1
117	*	DD1335306X	TAPE ROLLER HEAT	1
118	*	DD1330806X	PLATE ARM F	1
119	*	DD1330906X	PLATE ARM B	1
120	*	DD1331305X	GUIDE DUP F	1
121	*	DD1331406X	GEAR 18 1	1
122	*	DD1331506X	GEAR 41 1	1
123	*	DD1331606X	GEAR 23 1	1
124	*	DD1331706X	SCRAPER	3
125	*	DD1331806X	ROLLER INTER	1
126	*	DD1331906X	PRESS ROLLER A	2
127	*	DD1335206X	KNOB RELEASE	2
128	*	DD1332206X	SPRING C FUSER	2
129	*	DD1332306X	PLATE FUSE A	1
130	*	DD1332406X	PLATE FUSE B	2

NO	F	PARTS NO	PARTS NAME	QTY
022-131	*	DD1332506X	GEAR 20 1	2
134	*	DD1333006X	GUIDE HARNESS	1
136	*	DD1333206X	SPRING C GUIDE PRESS	2
137	*	DD1333306X	HOLDER CONNECTOR	1
138	*	DD1333406X	SPRING C SCRAPER	3
139	*	DD1333606X	FRAME SUPPORT	1
140	*	DD1333706X	SHAFT A	1
141	*	DD1333906X	PLATE FUSE C	1
142	*	DD1334006X	SPRING P FG B	1
143	*	DD1334106X	SPRING C STOPPER	2
144	*	DD1375506X	BEARING D4 6	2
145	*	Z07931820X	BEARING(RB)	2
146	*	DD1083904XX	ASSY HEATER(FUSER)-CBL	1
147	*	Z90558560X	THERMISTOR	1
148	*	ZA10440640	HEATER LAMP	1
150	*	ZA10448420	THERMSTAT	1
151	*	ZA10394080	THERMSTAT	1
152	*	DD1334406X	PLATE SUPPORT	4
153	*	D99650406X	STOPPER DR (3C) 4	2
154	*	DD1334506X	HOLDER SHAFT	1
157	*	DD1334805X	KNOB ENVELOPE	2



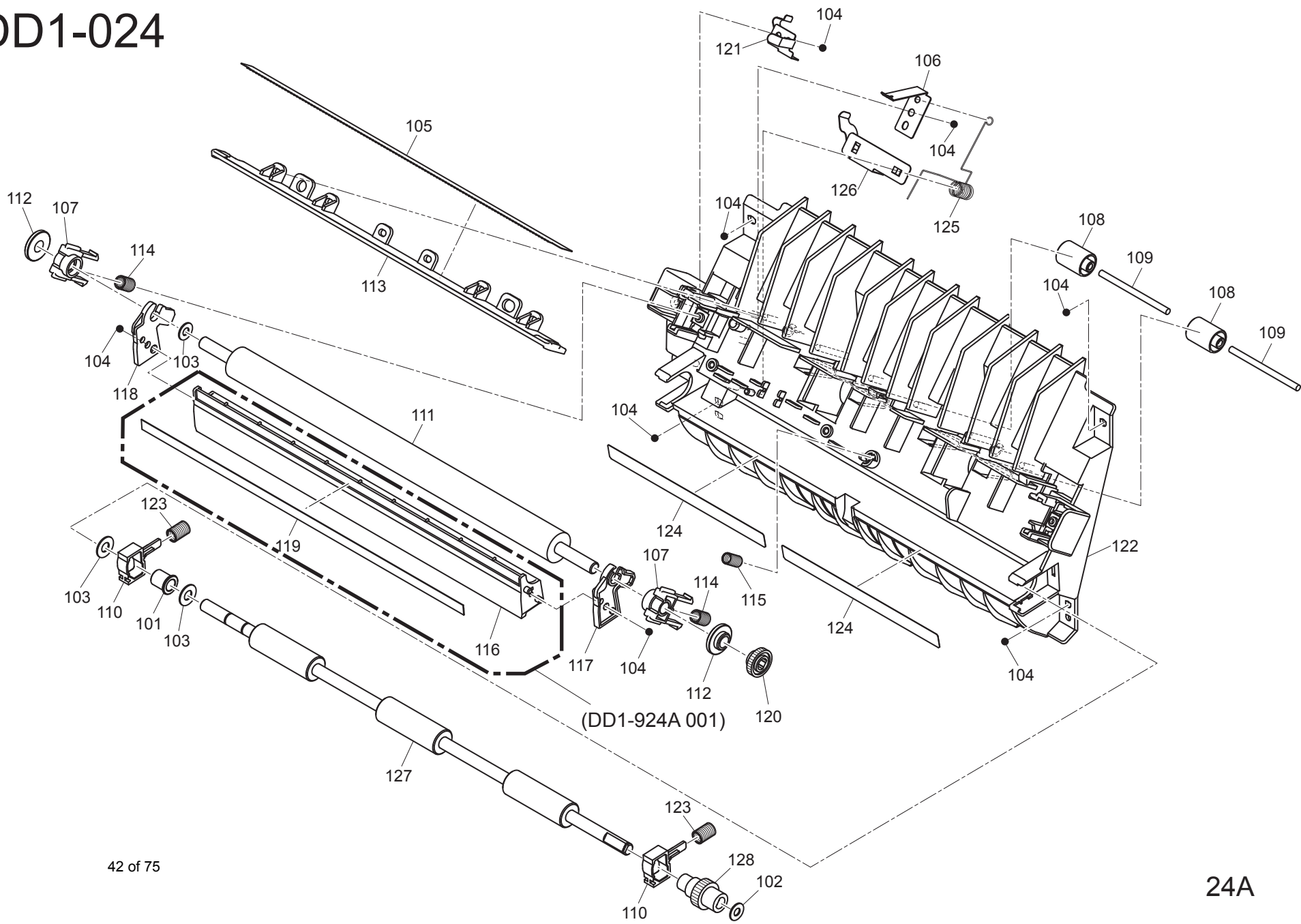
DD1362

Illustrated Part List 20
PRINTER JAM ACCESS COVER

DD1-023

NO	F	PARTS NO	PARTS NAME	QTY
023-101		D99600206X	SCREW P-TITE-CUP (3C) 3X8	9
102		D99601306X	SCREW P-TITE-CUP (3C) 4X10	2
103		D99630206X	SCREW PHR (3C) 3X8	1
104		D99650206X	STOPPER DR (3C) 2.5	4
105		DC2371336X	KNOB LOCK JAC	1
106		DC2371406X	SPRING T LOCK JAC	1
107		DD1355906X	PIECE SHUTTER MP	1
108		DD1370116X	COVER JAM ACCESS	1
109		DD1370306X	GUIDE DUPLEX	1
110		DD1370406X	ROLLER DUPLEX	2
111		DD1370506X	SHAFT LOCK JAC	1
112		DD1371006X	SPRING T FG DUP	1
113		DD1371106X	STOPPER JAC	2
114		DD1371206X	SPRING C STOPPER JAC	2
115		DD1371306X	LOCK JAC	2
116		DD1371816X	COVER GUIDE JAC	1
117		DD1372006X	GEAR 20/25P	2
118		DD1372106X	FLANGE PULLEY	2
119		DD1372906X	LATCH RELEASE F	1
120		DD1373006X	LATCH RELEASE B	1
121		DD1375506X	BEARING D4 6	4
122		Z08208730X	BLT(TM) 30S2M330GB 165T 3W	1
123		DD1070206X	LABEL GUIDE DUPLEX	1
124		DD10703A6X	LABEL COVER JAC	1
125		DD1371606X	SPRING C GUIDE DUP	2

DD1-024

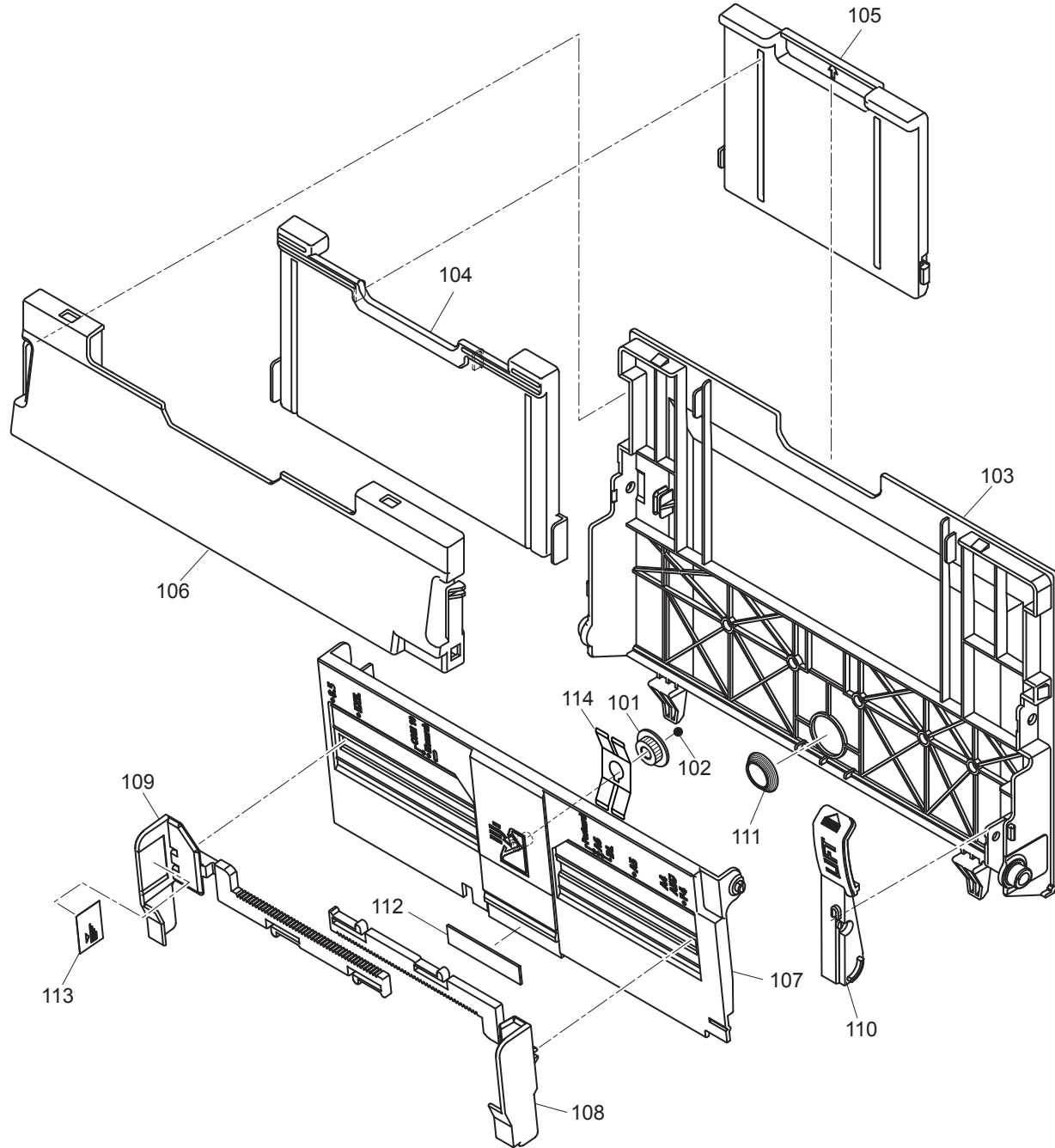


DD1362

Illustrated Part List 21
PRINTER GUIDE INNER

DD1-024

NO	F	PARTS NO	PARTS NAME	QTY
024-101		D28021206X	BEARING D6 8	1
102		D99014706X	STOPPER RING 4	1
103		D99014806X	STOPPER RING 5	3
104		D99600206X	SCREW P-TITE-CUP (3C) 3X8	8
105		DA7320206X	PLATE DISCHARGE	1
106		DA7320606X	PLATE FG	1
107		DA7321106X	BRACKET TRANSFER F	2
108		DA7372606X	PRESS ROLLER EXIT	2
109		DA7373106X	SPRING C GUIDE FUSER	2
110		DC2370506X	BEARING ROLLER REGISTER	2
111		DD1320106X	ROLLER TRANSFER	1
112		DD1320206X	ROLLER GAP	2
113		DD1320306X	BRACKET DISCHARGE	1
114		DD1320606X	SPRING C TRANSFER	2
115		DD1321006X	SPRING C GUIDE TRANSFER	1
116	*	DD1321106X	GUIDE TRANSFER	1
117		DD1321206X	BRACKET GUIDE TR F	1
118		DD1321306X	BRACKET GUIDE TR B	1
119	*	DD1321406X	SHEET TRANSFER	1
120		DD1321606X	GEAR 25H 0.6	1
121		DD1321706X	PLATE BIAS TRANSFER	1
122		DD1370206X	GUIDE INNER JAC	1
123		DD1370606X	SPRING C REGISTER	2
124		DD1370706X	SHEET REGISTER	2
125		DD1370806X	SPRING C FG REGISTER	1
126		DD1370906X	SPRING P FG JAC	1
127		DD1371506X	ROLLER REGISTER	1
128		DD1372706X	GEAR 16H 0.8	1



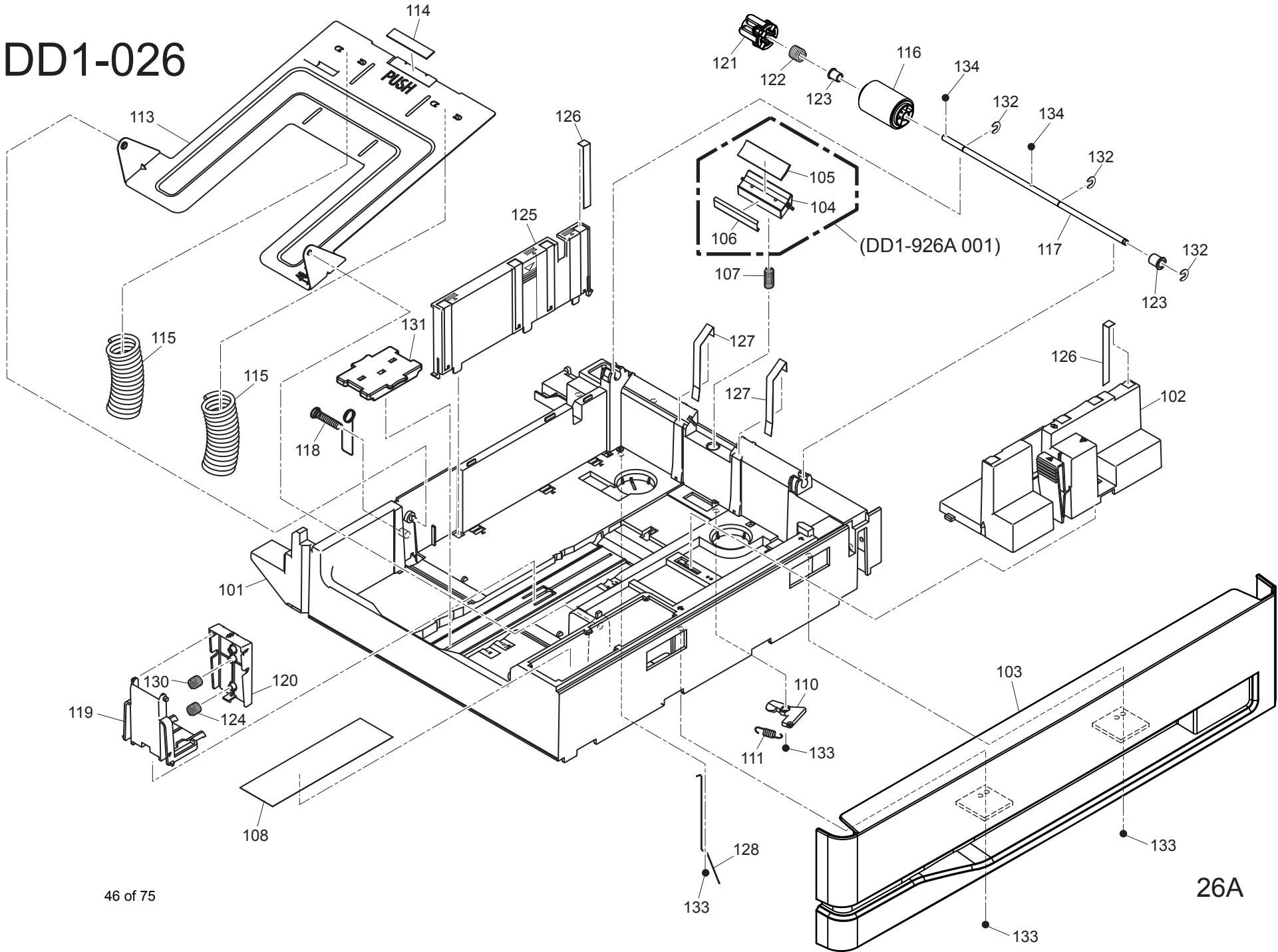
DD1362

Illustrated Part List 22
PRINTER MALTI PURPOSE

DD1-025

NO	F	PARTS NO	PARTS NAME	QTY
025-101		D88352906X	GEAR 20	1
102		D99600206X	SCREW P-TITE-CUP (3C) 3X8	1
103		DD1355016X	TRAY A MP	1
104		DD1355136X	TRAY B MP	1
105		DD1355236X	TRAY C MP	1
106		DD1355336X	TRAY D MP	1
107		DD1355436X	FLAPPER MP	1
108		DD1355546X	GUIDE SIDE F MP	1
109		DD1355646X	GUIDE SIDE B MP	1
110		DD1355746X	KNOB LOCK FLAPPER MP	1
111		DD1355806X	SPRING C FLAPPER MP	1
112		DD1356506X	PAD FLAPPER MP	1
113		DD1070406X	LABEL GUIDE SIDE B MP	1
114		DD1108106X	SPRING P PINION	1

DD1-026



DD1362

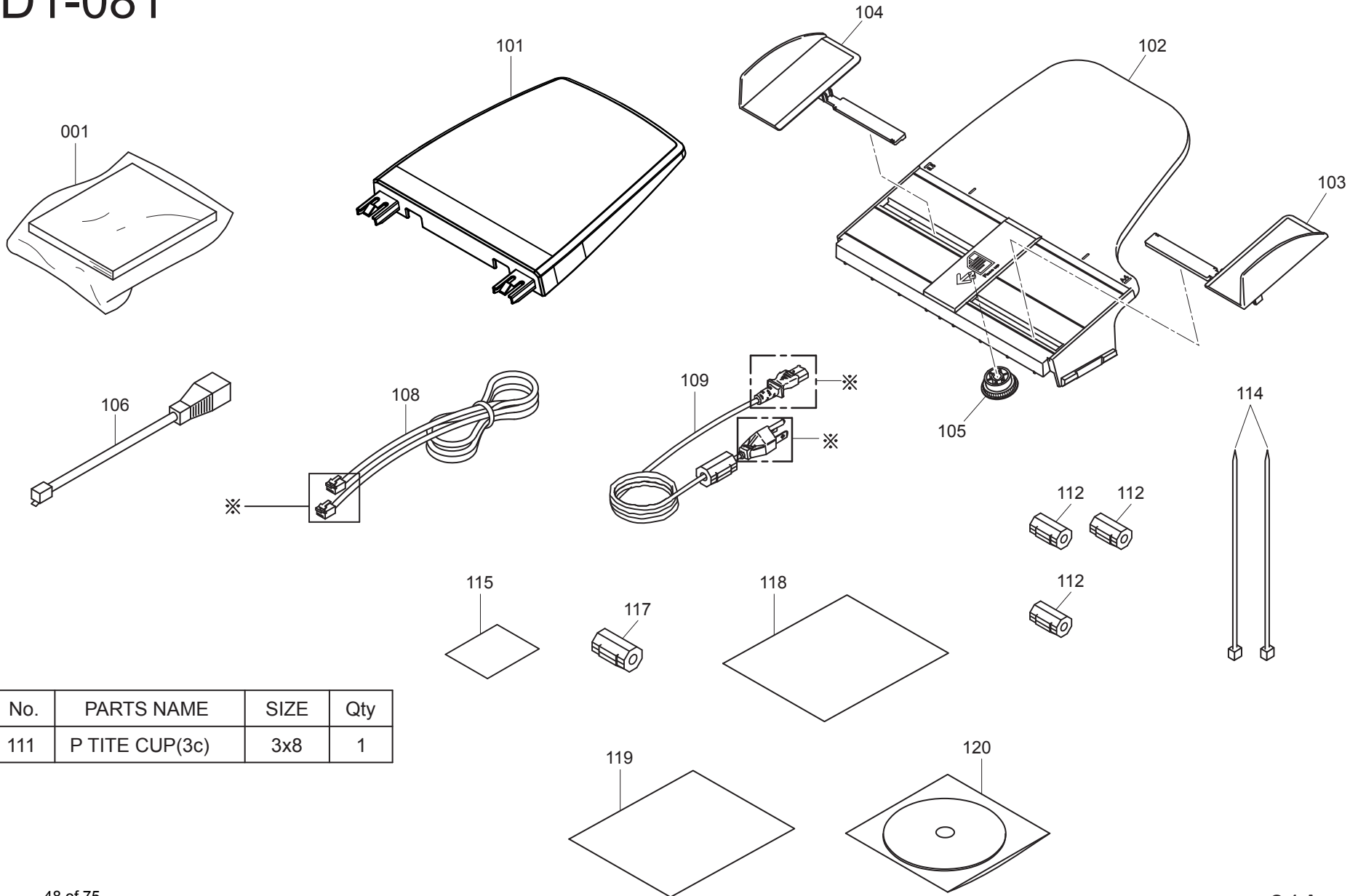
Illustrated Part List 23
PRINTER CASSETTE

DD1-026

NO	F	PARTS NO	PARTS NAME	QTY
026-101		DA73501K6X	CASSETTE	1
102		DA7350246X	GUIDE SIDE	1
103		DD1350116X	COVER CST	1
104	*	DA7350406X	PIECE PRESSURE CST	1
105	*	DA7350506X	PAD PRESSURE CST	1
106	*	DA7351306X	SHEET PRESSURE CST	1
107		DD1351106X	SPRING C PRESSURE	1
108		DD1071106X	SHEET CASSETTE	1
110		D88351206X	STOPPER FLAP	1
111		D88351306X	SPRING C FLAP STOPPER	1
113		DA7350706X	FLAPPER	1
114		DD1351006X	PAD FLAPPER CST	1
115		DA7350906X	SPRING C FLAPPER	2
116		DD1350505X	ROLLER PICKUP	1
117		DD1350206X	SHAFT PICKUP	1
118		DD1351206X	SPRING C FG CST	1
119		DA7351646X	GUIDE END A	1
120		DA7351746X	GUIDE END B	1
121		DD1350306X	COUPLING PICKUP	1
122		DD1350406X	SPRING C COUPLING	1
123		D28021206X	BEARING D6 8	2
124		D65043206X	SPRING C END GUIDE	1
125		DA73528K6X	GUIDE SIDE B	1
126		DA7352406X	SHEET CST C	2
127		DA7352306X	SHEET CST B	2
128		DA7352206X	SPRING T FG CST B	1
130		DA7353006X	SPRING C END S	1
131		DA7353246X	STOPPER END GUIDE	1

NO	F	PARTS NO	PARTS NAME	QTY
026-132		D99014806X	STOPPER RING 5	3
133		D99600206X	SCREW P-TITE-CUP (3C) 3X8	4
134		D99665306X	PIN PPB 2X12	2

DD1-081



No.	PARTS NAME	SIZE	Qty
111	P TITE CUP(3c)	3x8	1

DD1362

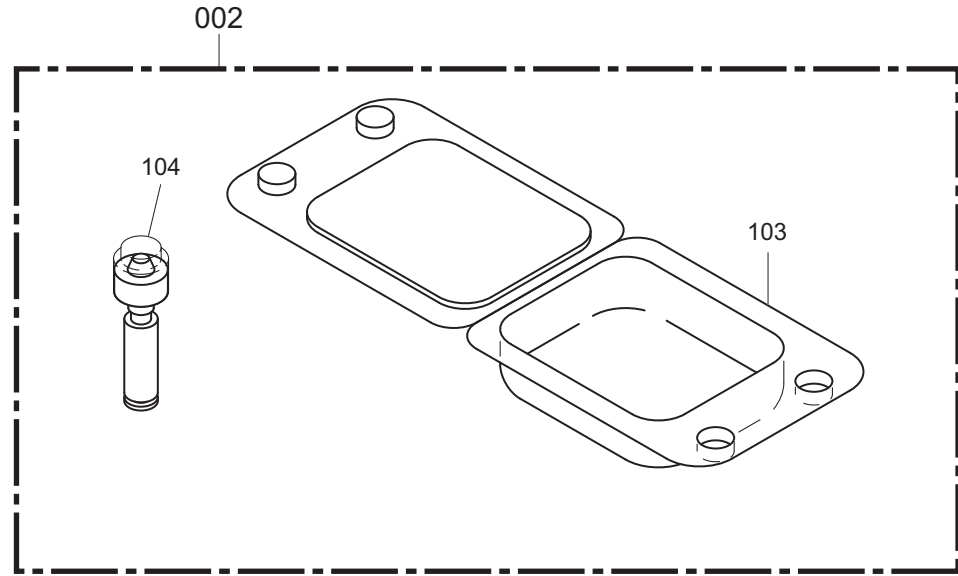
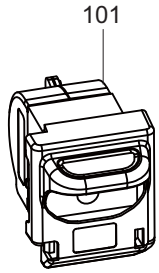
Illustrated Part List 24

ACCESSORY1

DD1-081

NO	F	PARTS NO	PARTS NAME	QTY
081-001	*	DD1920404X	MANUAL KIT	1
101		DD1101136X	TRAY DOCUMENT	1
108		ZA10033600	MODULAR CORD	1
109		ZA10440150	POWER SUPPLY CORD	1
112		ZA10249100	CORE	2
114		ZA10372800	CABLE BAND	2
117		ZA10236930	CORE	1

DD1-092

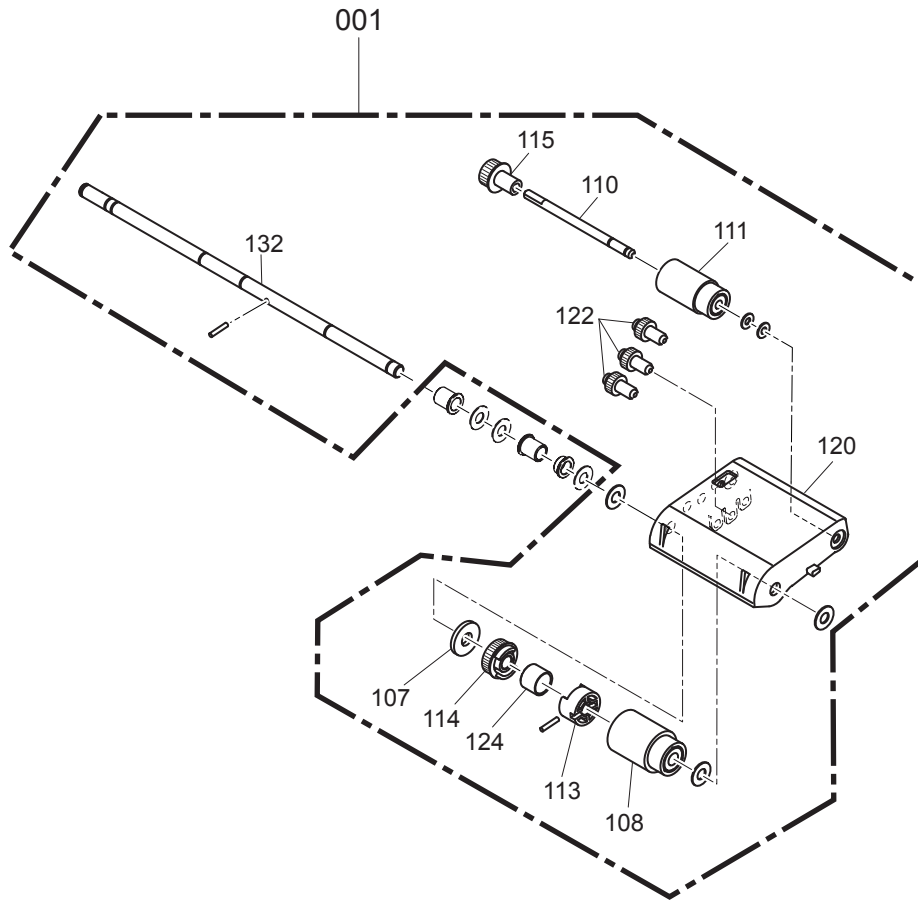


DD1362

Illustrated Part List 27
OPTION/CONSUMABLE

DD1-092

NO	F	PARTS NO	PARTS NAME	QTY
092-002		DA1A01605X	ASSY STAMP	1
103	*	D99932306X	CASE STAMP INK	1
104	*	Z07453720X	STAMP	1

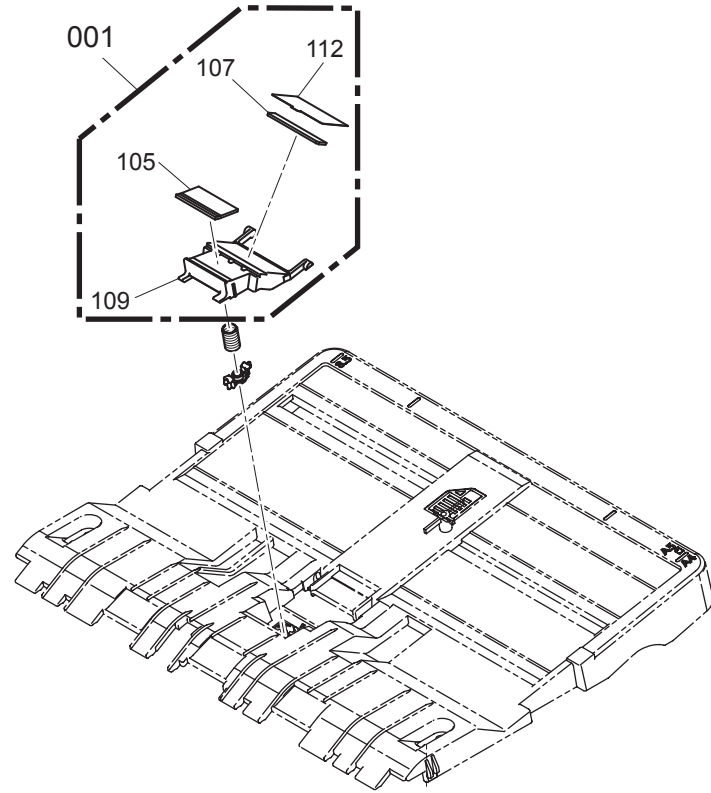


DD1362

Illustrated Part List 28
PARTS URADF COVER TX

DD1-905

NO	F	PARTS NO	PARTS NAME	QTY
905-001		DC4A01004X	ASSY ROLLER SEPARATOR	1
107	*	DA7011306X	SHEET FELT	1
108	*	DB5101105X	ROLLER SEPARATOR	1
110	*	DB5101206X	SHAFT PICKUP	1
111	*	DB5101305X	ROLLER PICKUP	1
113	*	DB5101506X	HUB SEPARATOR	1
114	*	DB5101706X	GEAR 30 0.5	1
115	*	DB5102306X	GEAR 24 0.5 D	1
120	*	DC4106206X	ARM PICKUP	1
122	*	DC4106906X	GEAR 19	3
124	*	DC4109206X	SPRING C PICKUP	1
132	*	DC4106506X	SHAFT SEPARATOR	1

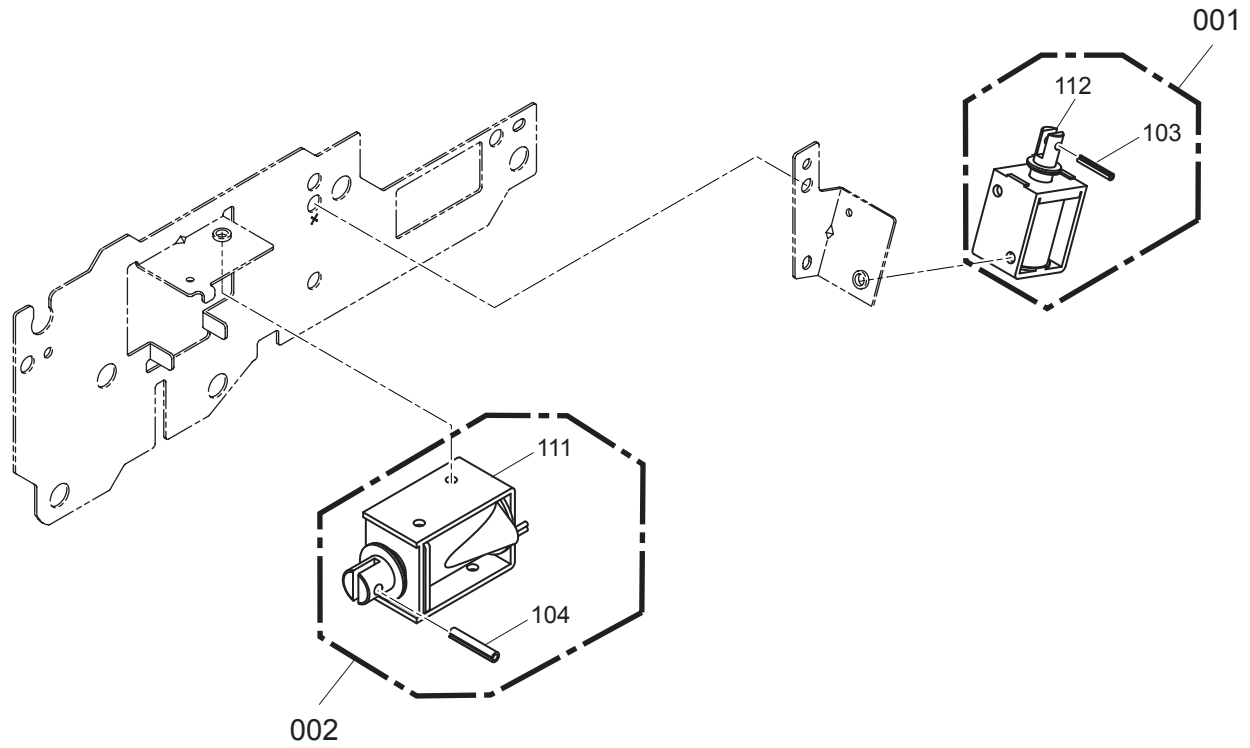


DD1362

Illustrated Part List 29
PARTS URADF GUIDE INNER A

DD1-906

NO	F	PARTS NO	PARTS NAME	QTY
906-001		DC4A01105X	ASSY PAD SEPARATOR	1
105	*	DA7015706X	PAD SEPARATOR A	1
107	*	DB5106006X	PAD SEPARATOR B	1
109	*	DC4102806X	PIECE SEPARATOR	1
112	*	DC4103406X	SHEET SEPARATOR	1

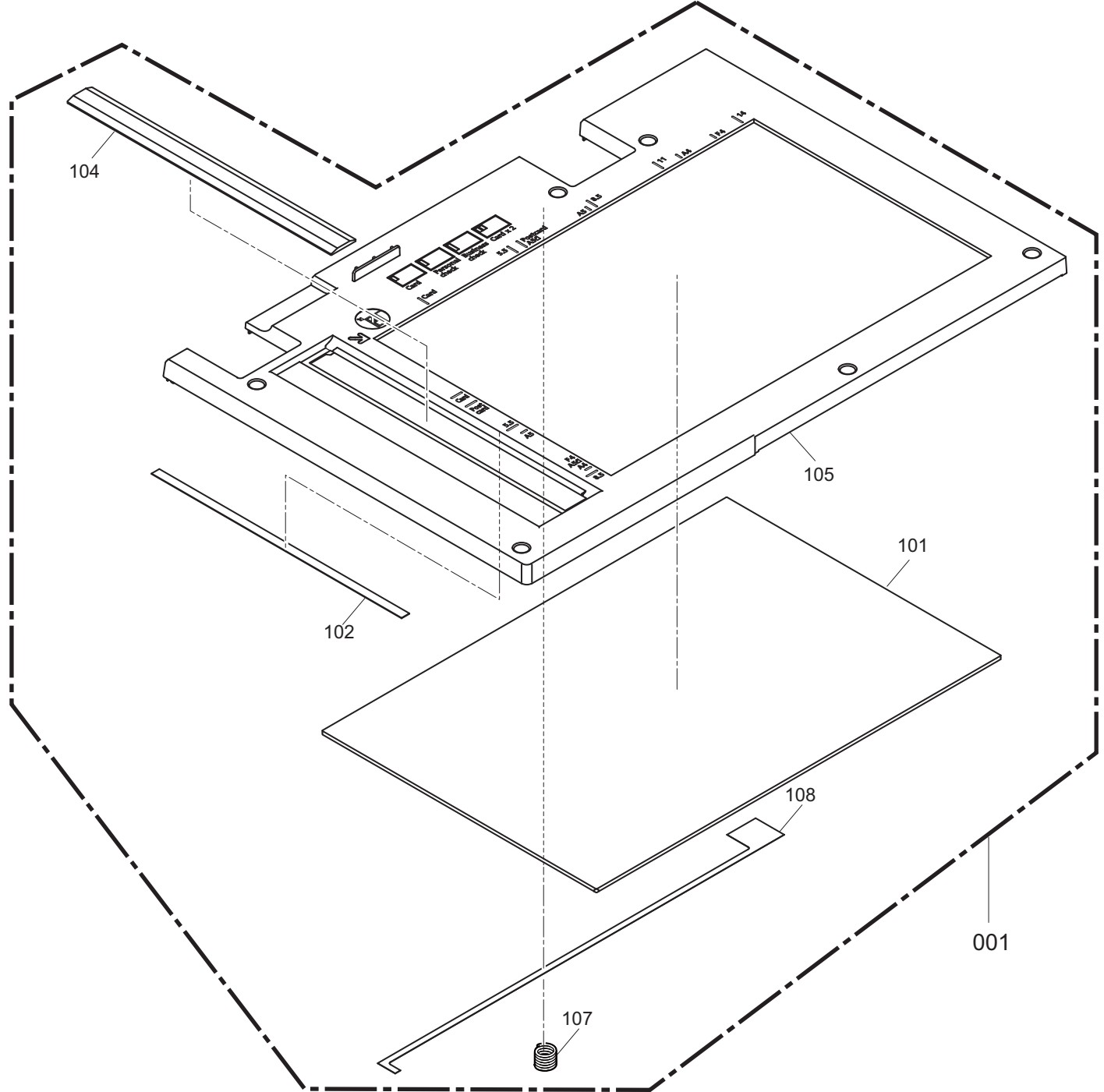


DD1362

Illustrated Part List 30
PARTS URADF DRIVE FRONT

DD1-909

NO	F	PARTS NO	PARTS NAME	QTY
909-001		DD1A00505X	ASSY SOLENOID GUIDE	1
002		DD1A00605X	ASSY SOLENOID ROLLER	1
103	*	D99660306X	PIN PK 2X12	1
104	*	D99661406X	PIN PK 3X16	1
111	*	Z90728280X	SOLENOID ROLLER	1
112	*	Z90728300X	SOLENOID GUIDE	1



DD1362

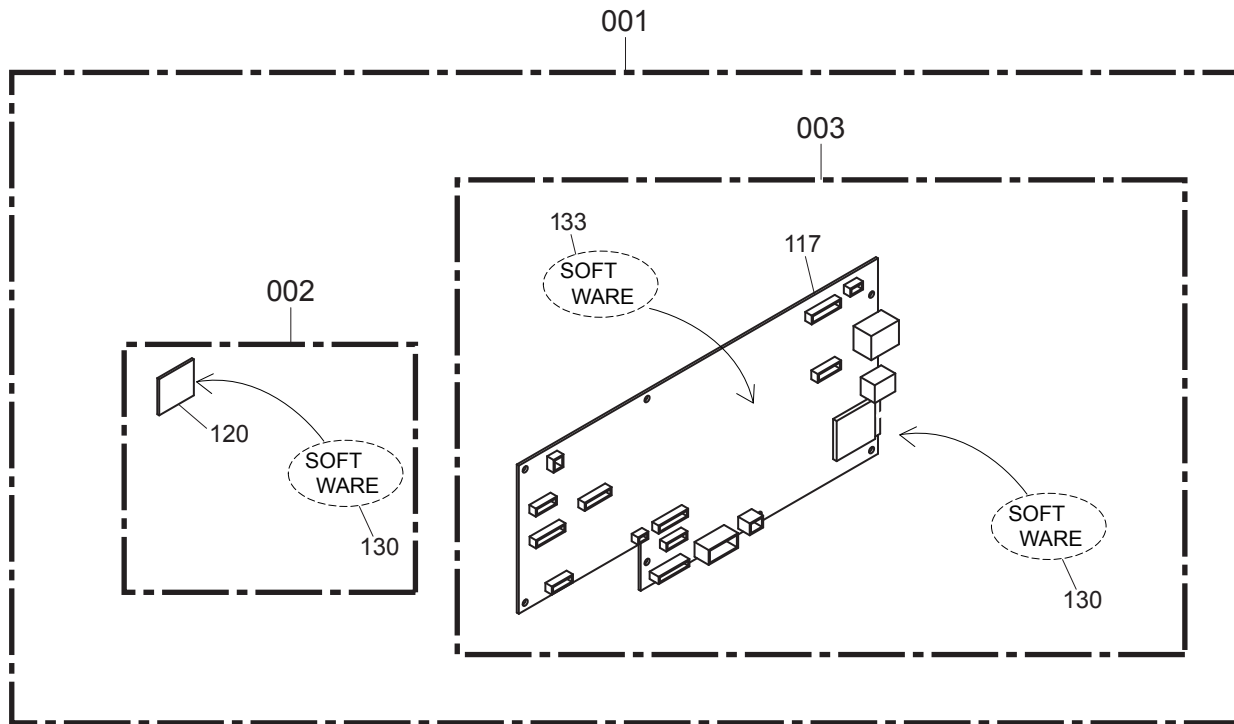
Illustrated Part List 31

PARTS TOP COVER

DD1-912

NO	F	PARTS NO	PARTS NAME	QTY
912-001		DD1A008B5X	ASSY COVER TOP FBS	1
101		DA7052206X	PANE	1
102		D88054806X	SHEET BACKGROUND SEAL	1
104		DD1050306X	GLASS CONTACT	1
105	*	DD10502B6X	COVER TOP FBS	1
107	*	DD1053206X	SPRING C FG GLASS CONTACT	1
108	*	DD1053306X	SHEET FG GLASS CONTACT	1

DD1-916

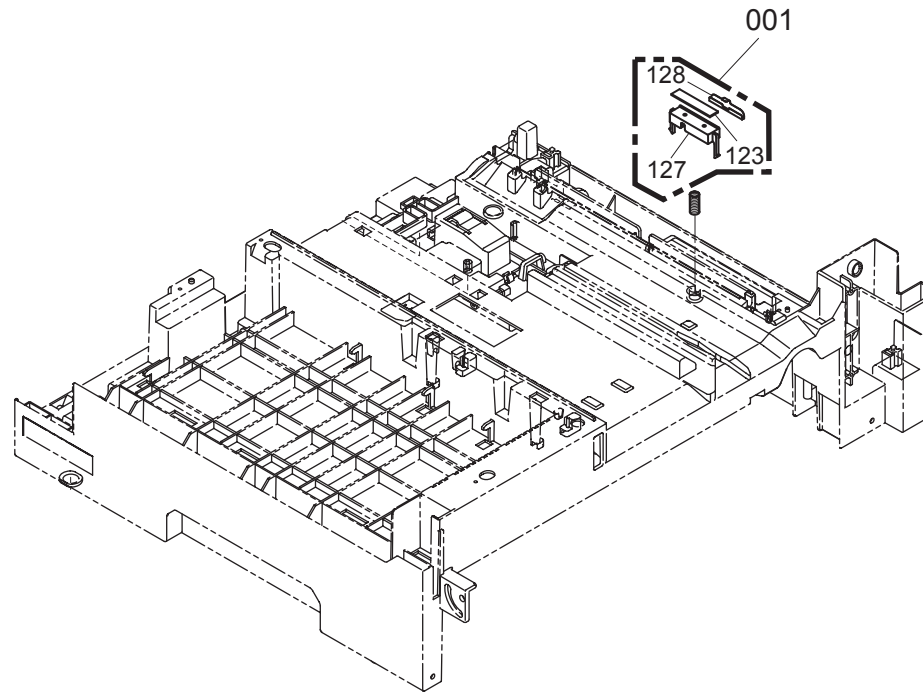


DD1362

Illustrated Part List 32
PARTS PRINTER PCB MAIN

DD1-916

NO	F	PARTS NO	PARTS NAME	QTY
916-001		DD1A04124X	ASSY PCB MAIN(SD CARD)	1
002		DD1A044Y4X	ASSY SD CARD	1
003		DD1A043Y4X	ASSY PCB MAIN	1
117	*	DD1090125XX	PCB MAIN	1
120	*	ZA10469170	SD MEMORY CARD	1
130	*	DD1SF0356X	SOFTWARE(SD)	2
133	*	DD1SF0226X	SOFTWARE(BOOT)	1

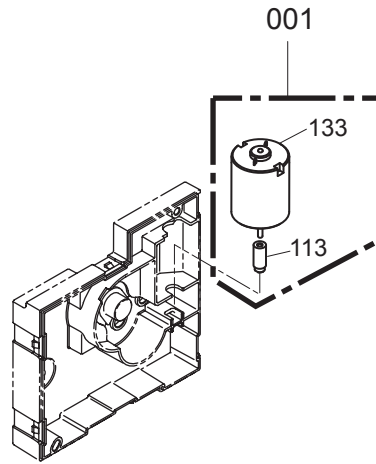


DD1362

Illustrated Part List 33
PARTS PRINTER CHASSIS1

DD1-917

NO	F	PARTS NO	PARTS NAME	QTY
917-001		DD1A00905X	ASSY PRESSURE MP	1
123	*	DC2356606X	PAD PRESSURE MP	1
127	*	DC2356506X	PIECE PRESSURE MP	1
128	*	DD1356606X	SHEET PRESSURE MP	1



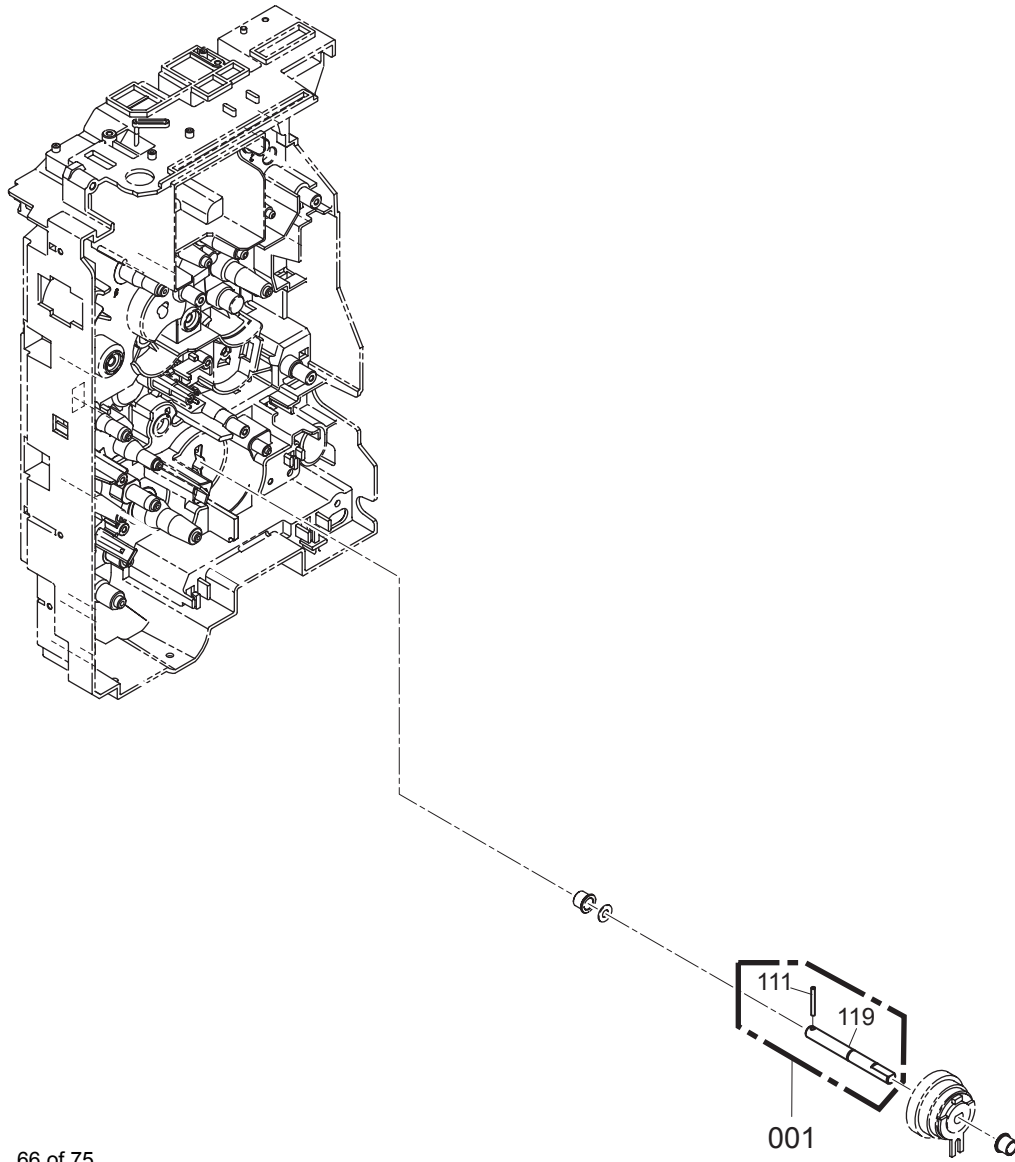
DD1362

Illustrated Part List 34
PARTS PRINTER DRIVE FRONT

DD1-919

NO	F	PARTS NO	PARTS NAME	QTY
919-001		DD1A01005X	ASSY MOTOR TONER	1
113	*	DD1343306X	GEAR WORM TC	1
133	*	Z90728570X	MOTOR TONER	1

DD1-920

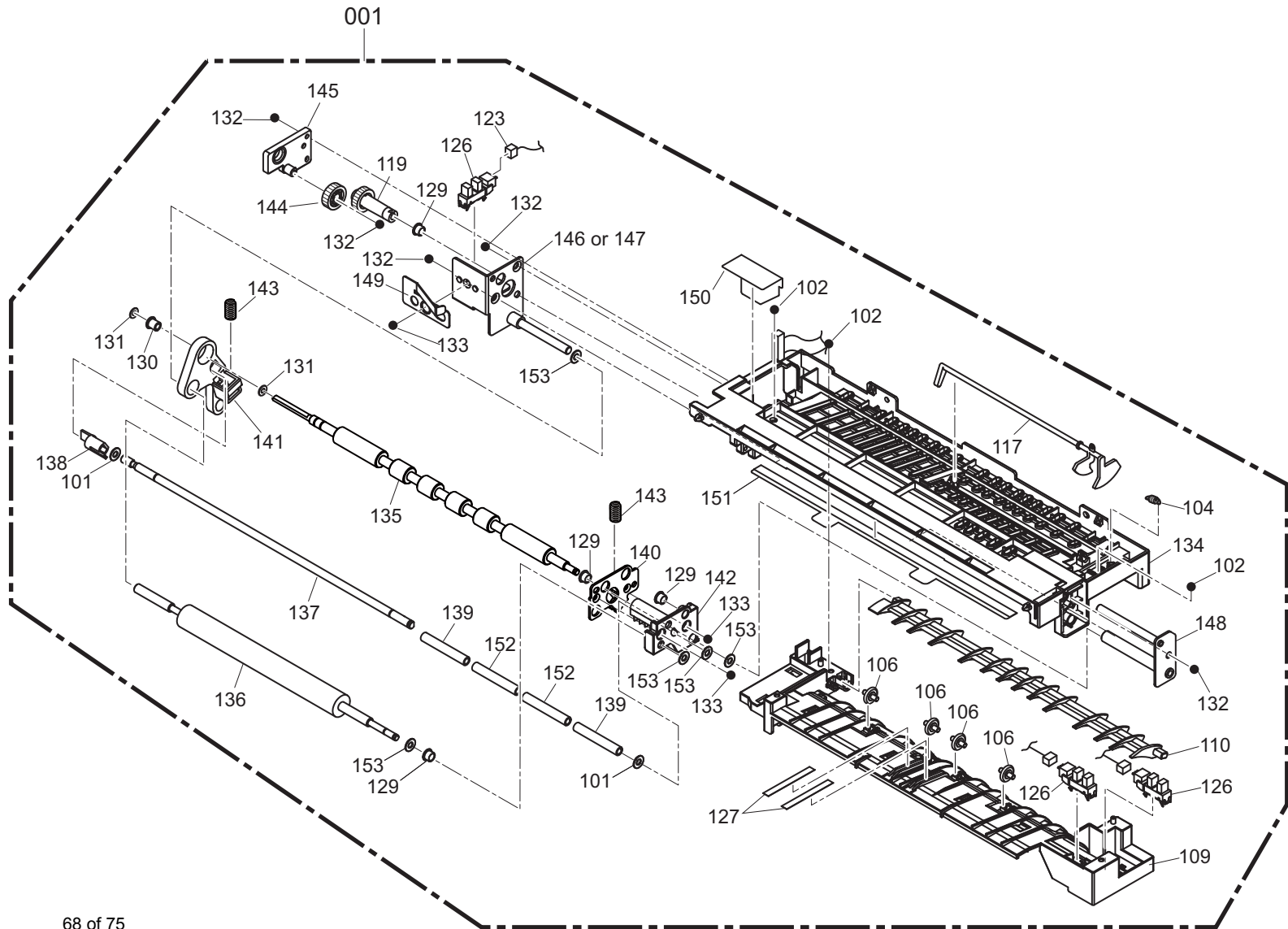


DD1362

Illustrated Part List 35
PARTS PRINTER DRIVE BACK

DD1-920

NO	F	PARTS NO	PARTS NAME	QTY
920-001		DD1A01105X	ASSY SHAFT CASSETTE	1
111	*	D99660406X	PIN PK 2X16	1
119	*	DD1340506X	SHAFT CASSETTE	1



DD1362

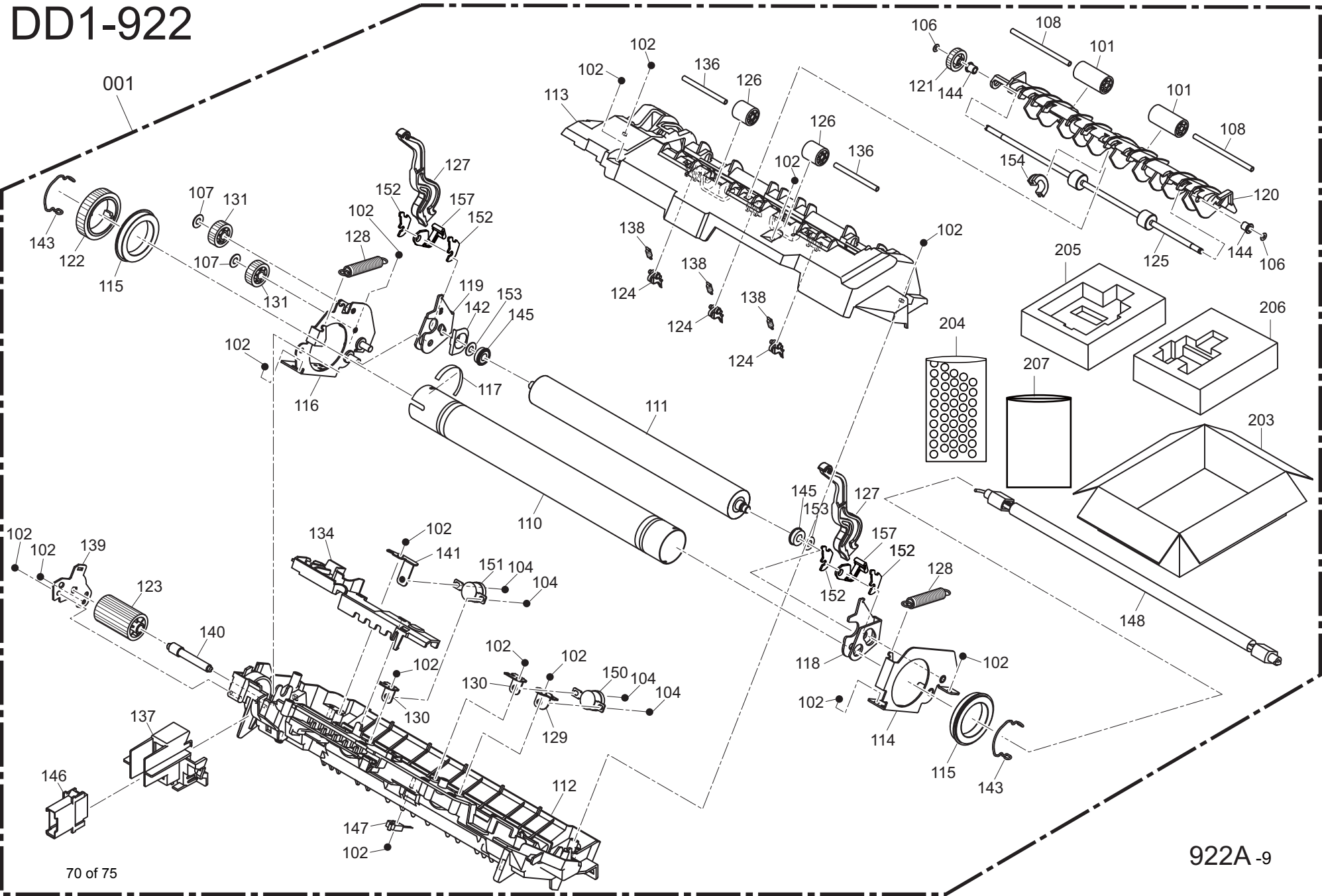
Illustrated Part List 36
PARTS PRINTER EXIT

DD1-921

NO	F	PARTS NO	PARTS NAME	QTY
921-001		DD1A030B3X	ASSY EXIT	1
101	*	D99014606X	STOPPER RING 3	2
102	*	D99600206X	SCREW P-TITE-CUP (3C) 3X8	3
104	*	DA7372806X	SPRING C FEELER	1
106	*	DA7373306X	PRESS ROLLER EXIT SIDE	4
109	*	DD1375006X	GUIDE LOWER EXIT	1
110	*	DD1375106X	GUIDE CHANGE EXIT	1
117	*	DD1375806X	FEELER SENSOR EXIT	1
119	*	DD1376006X	GEAR 20 0.8	1
123	*	DD1083005XX	CABLE-ASSY PRT SNSR2	1
126	*	Z08133580X	PHOTO INTERRUPTER	2
127	*	DD1376606X	SHEET EXIT	2
129	*	D61012206X	BEARING D4 6	4
130	*	D67012806X	BEARING D6	1
131	*	D99014806X	STOPPER RING 5	2
132	*	D99600106X	SCREW P-TITE-CUP (3C) 3X6	5
133	*	D99615106X	SCREW S-TITE (3C) 3X6	3
134	*	DD1377106X	GUIDE UPPER EXIT DECARL	1
135	*	DD1377206X	ROLLER EXIT DECARL	1
136	*	DD1377306X	ROLLER SPONGE DECARL	1
137	*	DD1377406X	SHAFT ROLLER DECARL	1
138	*	DD1377506X	CAP SHAFT DECARL	1
139	*	DD1377606X	PRESS ROLLER EXIT DECARL 8	2
140	*	DD1377706X	BRACKET ROLLER F DECARL	1
141	*	DD1377806X	BRACKET ROLLER B DECARL	1
142	*	DD1377906X	RACK SHIFT 1.5 DECARL	1
143	*	DD1378006X	SPRING C PRESS EXIT DECARL	2
144	*	DD1378106X	GEAR 19 0.8	1

NO	F	PARTS NO	PARTS NAME	QTY
921-145	*	DD1378206X	BRACKET GEAR DECARL	1
147	*	DD1378505X	BRACKET SHAFT GUIDE LM DECARL	1
148	*	DD1378605X	PLATE SHAFT GUIDE DECARL	1
149	*	DD1378906X	SPRING P FG EXIT DECARL	1
150	*	DD1379006X	SHEET EXIT AIRFLOW	1
151	*	DD1379106X	SHEET EXIT UPPER	1
152	*	DD1379406X	PRESS ROLLER EXIT DECARL 8.5	2
153	*	D99650306X	STOPPER DR(3C) 3	5

DD1-922



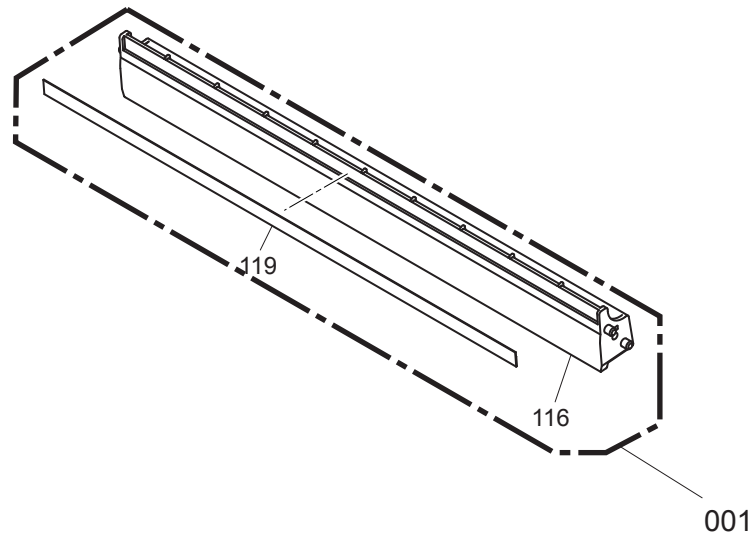
DD1362

Illustrated Part List 37
PARTS PRINTER FUSER

DD1-922

NO	F	PARTS NO	PARTS NAME	QTY
922-001		DD1A012A3X	ASSY FUSER	1
101	*	D53100806X	ROLLER PRESS	4
102	*	D99627006X	SCREW B-TITE (3C) 3X12 (P=3)	30
104	*	D99630106X	SCREW PHR (3C) 3X6	8
106	*	D99650206X	STOPPER DR (3C) 2.5	4
107	*	D99650506X	STOPPER DR (3C) 5	4
108	*	DD1334206X	SPRING C GUIDE	4
110	*	DD1330106X	ROLLER HEAT	1
111	*	DD1330206X	ROLLER PRESS	1
112	*	DD1330305X	COVER BOTTOM	1
113	*	DD1330405X	COVER TOP	1
114	*	DD1330505X	FRAME SIDE F	1
115	*	Z08230270X	BEARING(RB)	4
116	*	DD1330605X	FRAME SIDE B	1
117	*	DD1335306X	TAPE ROLLER HEAT	1
118	*	DD1330806X	PLATE ARM F	1
119	*	DD1330906X	PLATE ARM B	1
120	*	DD1331305X	GUIDE DUP F	2
121	*	DD1331406X	GEAR 18 1	2
122	*	DD1331506X	GEAR 41 1	1
123	*	DD1331606X	GEAR 23 1	2
124	*	DD1331706X	SCRAPER	6
125	*	DD1331806X	ROLLER INTER	2
126	*	DD1331906X	PRESS ROLLER A	4
127	*	DD1335206X	KNOB RELEASE	2
128	*	DD1332206X	SPRING C FUSER	4
129	*	DD1332306X	PLATE FUSE A	2
130	*	DD1332406X	PLATE FUSE B	4
131	*	DD1332506X	GEAR 20 1	4

NO	F	PARTS NO	PARTS NAME	QTY
922-134	*	DD1333006X	GUIDE HARNESS	2
136	*	DD1333206X	SPRING C GUIDE PRESS	4
137	*	DD1333306X	HOLDER CONNECTOR	2
138	*	DD1333406X	SPRING C SCRAPER	6
139	*	DD1333606X	FRAME SUPPORT	2
140	*	DD1333706X	SHAFT A	2
141	*	DD1333906X	PLATE FUSE C	2
142	*	DD1334006X	SPRING P FG B	1
143	*	DD1334106X	SPRING C STOPPER	4
144	*	DD1375506X	BEARING D4 6	4
145	*	Z07931820X	BEARING(RB)	4
146	*	DD1083904XX	ASSY HEATER(FUSER)-CBL	2
147	*	Z90558560X	THERMISTOR	2
148	*	ZA10440640	HEATER LAMP	2
150	*	ZA10448420	THERMSTAT	2
151	*	ZA10394080	THERMSTAT	2
152	*	DD1334406X	PLATE SUPPORT	4
153	*	D99650406X	STOPPER DR (3C) 4	4
154	*	DD1334506X	HOLDER SHAFT	2
157	*	DD1334805X	KNOB ENVELOPE	2
200	*	DD1933106X	PACKING EPE FUSER TOP	2
201	*	DD1933206X	PACKING EPE FUSER SIDE	4
202	*	DD1933306X	PACKING CP FUSER ASSY	2
203	*	DD1950706X	PACKCASE FUSER	2
204	*	DD1936206X	PACKING PE_BAG 360x210	1
205	*	DD1936306X	PACKING EPE FUSER A	1
206	*	DD1936406X	PACKING EPE FUSER B	1
207	*	D99676106X	PACKING PE_BAG 380x530	1



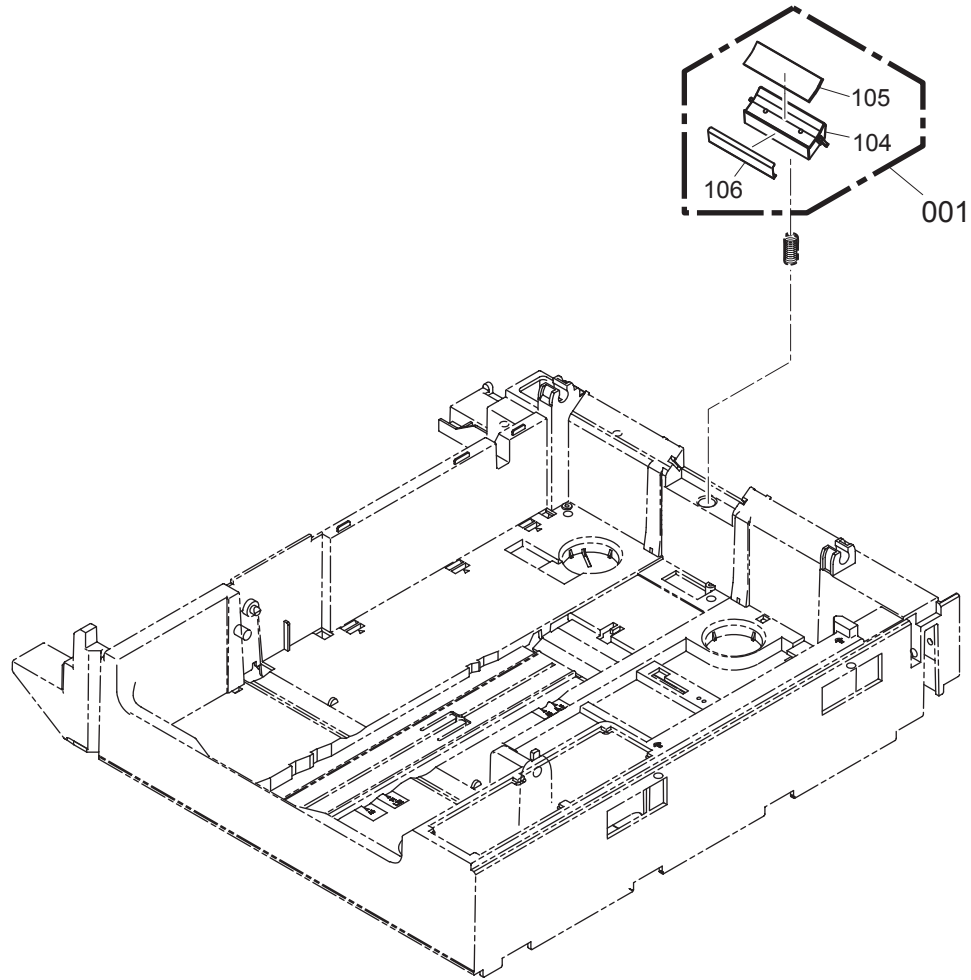
DD1362

Illustrated Part List 38
PARTS PRINTER GUIDE INNER

DD1-924

NO	F	PARTS NO	PARTS NAME	QTY	PRICE(USD)
924-001		DD1A01305X	ASSY GUIDE TRANSFER	1	6.93
116	*	DD1321106X	GUIDE TRANSFER	1	
119	*	DD1321406X	SHEET TRANSFER	1	

DD1-926



DD1362

Illustrated Part List 39
PARTS PRINTER CASSETTE

DD1-926

NO	F	PARTS NO	PARTS NAME	QTY	PRICE(USD)
926-001		DA7A01505X	ASSY PIECE PRESSURE	1	3.33
104	*	DA7350406X	PIECE PRESSURE CST	1	
105	*	DA7350506X	PAD PRESSURE CST	1	
106	*	DA7351306X	SHEET PRESSURE CST	1	