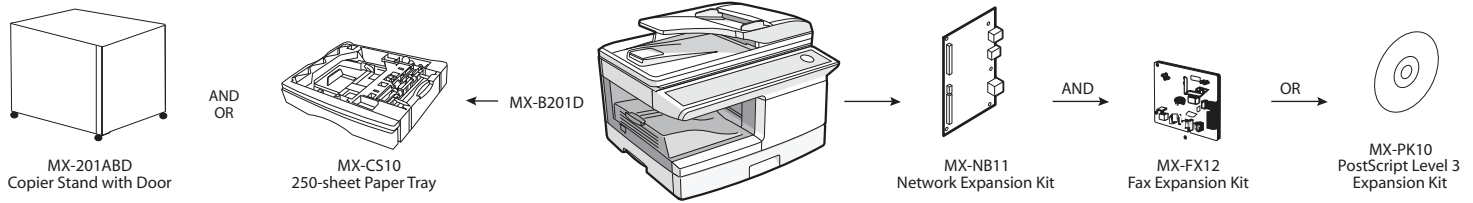
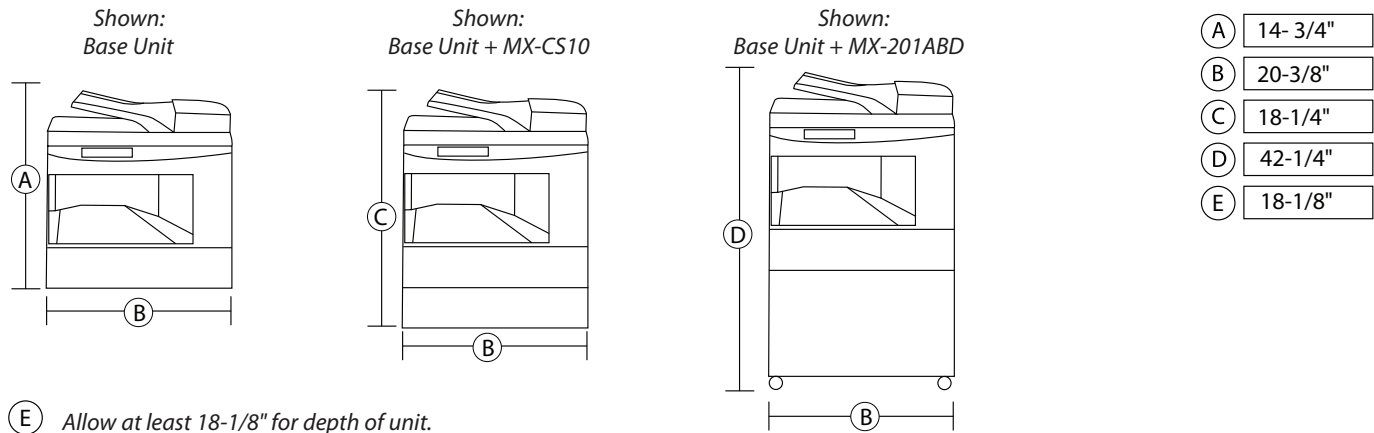


## Product Configuration



MX-NB11 required for MX-FX12 and MX-PK10.

## Space Requirements and Planning Guide



Plan ahead and make sure your installation is a great success! Remember to check the latest information on these products and make sure that the following items are available prior to installation.

- Verify power dedication and check for power stability. The MX-B201D Multifunction Document System requires AC 120V, 60Hz, 8 Amps power source.
- Confirm that you have the latest firmware available to upgrade the MX-B201D Multifunction Document System immediately.
- Some accessories require a product key for operation. You should obtain the accessory Application Code, machine's serial number and register online prior to arrival.
- Make sure the customer has enough supplies on-hand to do a large rush job. After-hours printing and/or holiday work may take place immediately following an installation.

MX-B20NT1      Toner  
 MX-B20NV1      Developer  
 AR-152DR      Drum

- Check to see if MySharp™ online training is set up for the end-user.

### Approximate Dimensions with Tray and Cover Open.

