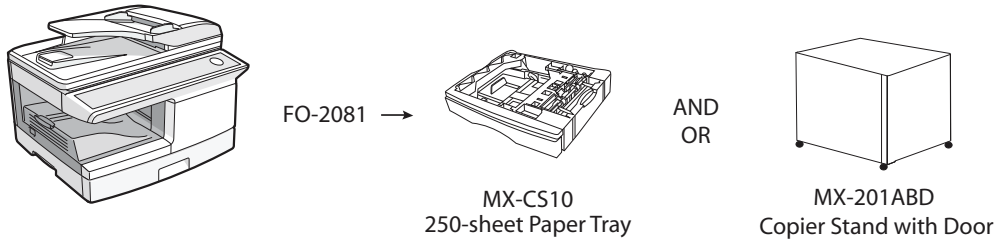
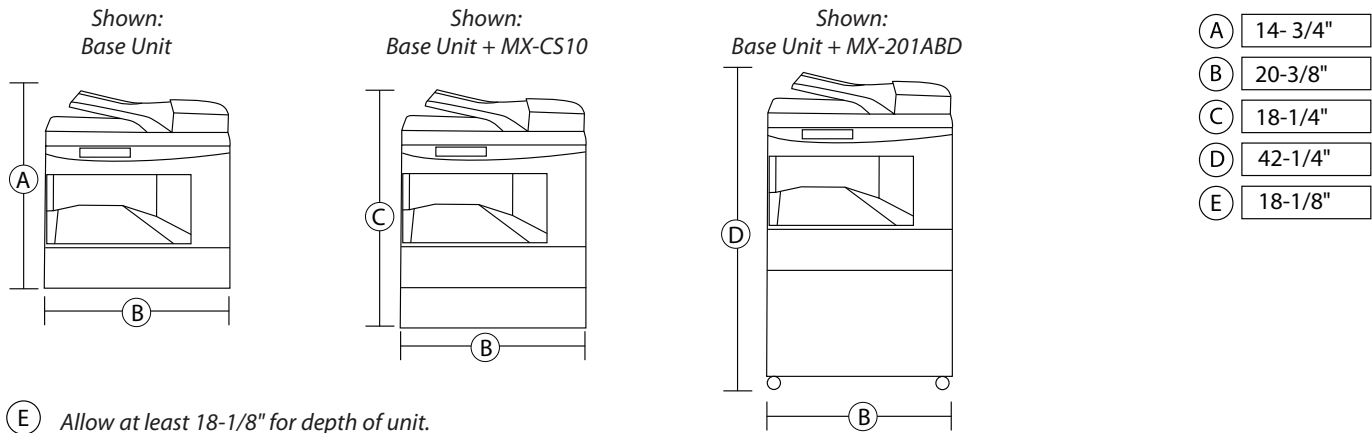


Product Configuration



Space Requirements and Planning Guide



Plan ahead and make sure your installation is a great success! Remember to check the latest information on these products and make sure that the following items are available prior to installation.

- Verify power dedication and check for power stability. The FO-2081 Document Communication System requires AC 120V, 60Hz, 8 Amps power source.
- Confirm that you have the latest firmware available to upgrade the FO-2081 Document Communication System immediately.
- Make sure the customer has enough supplies on-hand to do a large rush job. After-hours printing and/or holiday work may take place immediately following an installation.

FO-56ND Toner/Developer
FO-55DR Drum

- Check to see if MySharp™ online training is set up for the end-user.

Approximate Dimensions with Tray and Cover Open.

